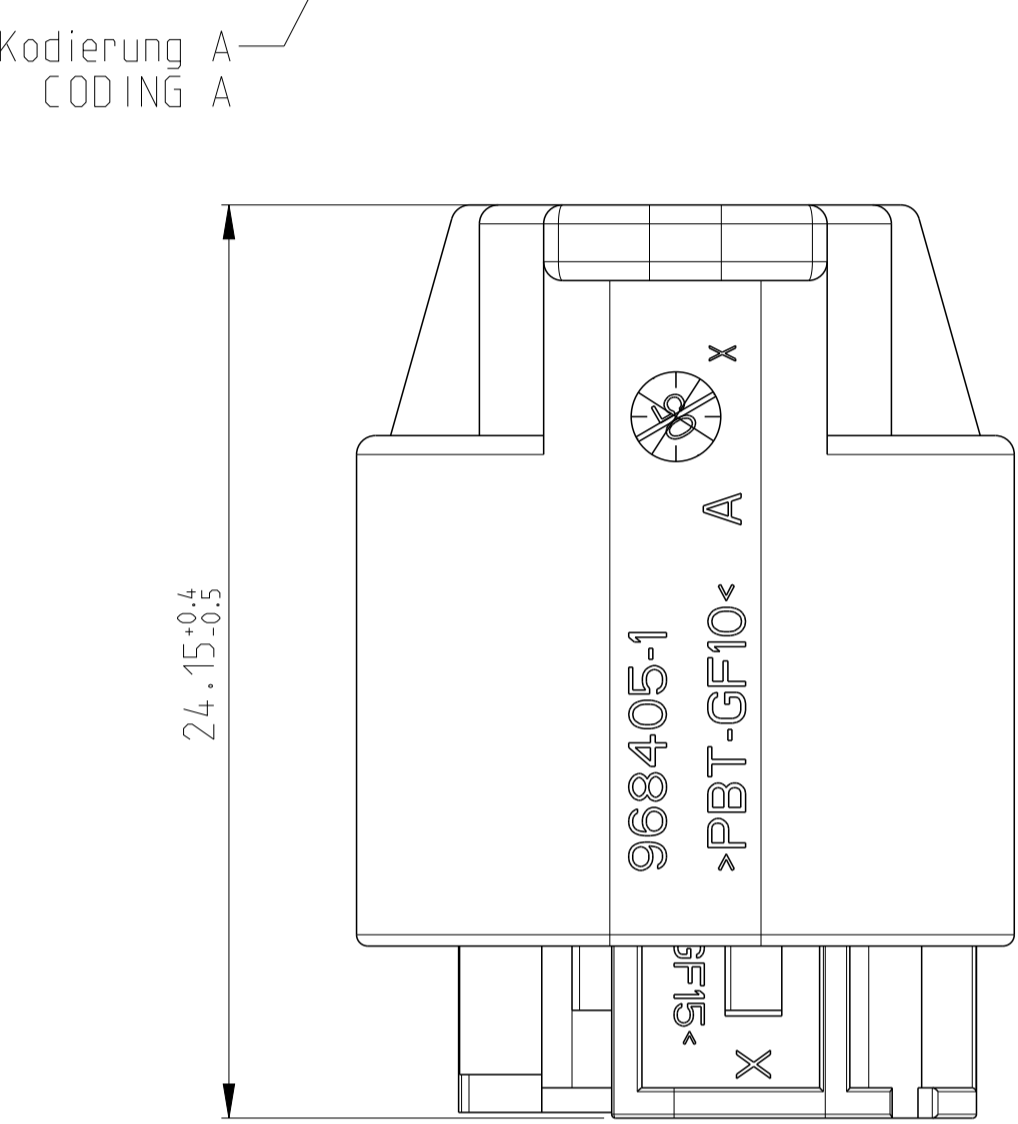
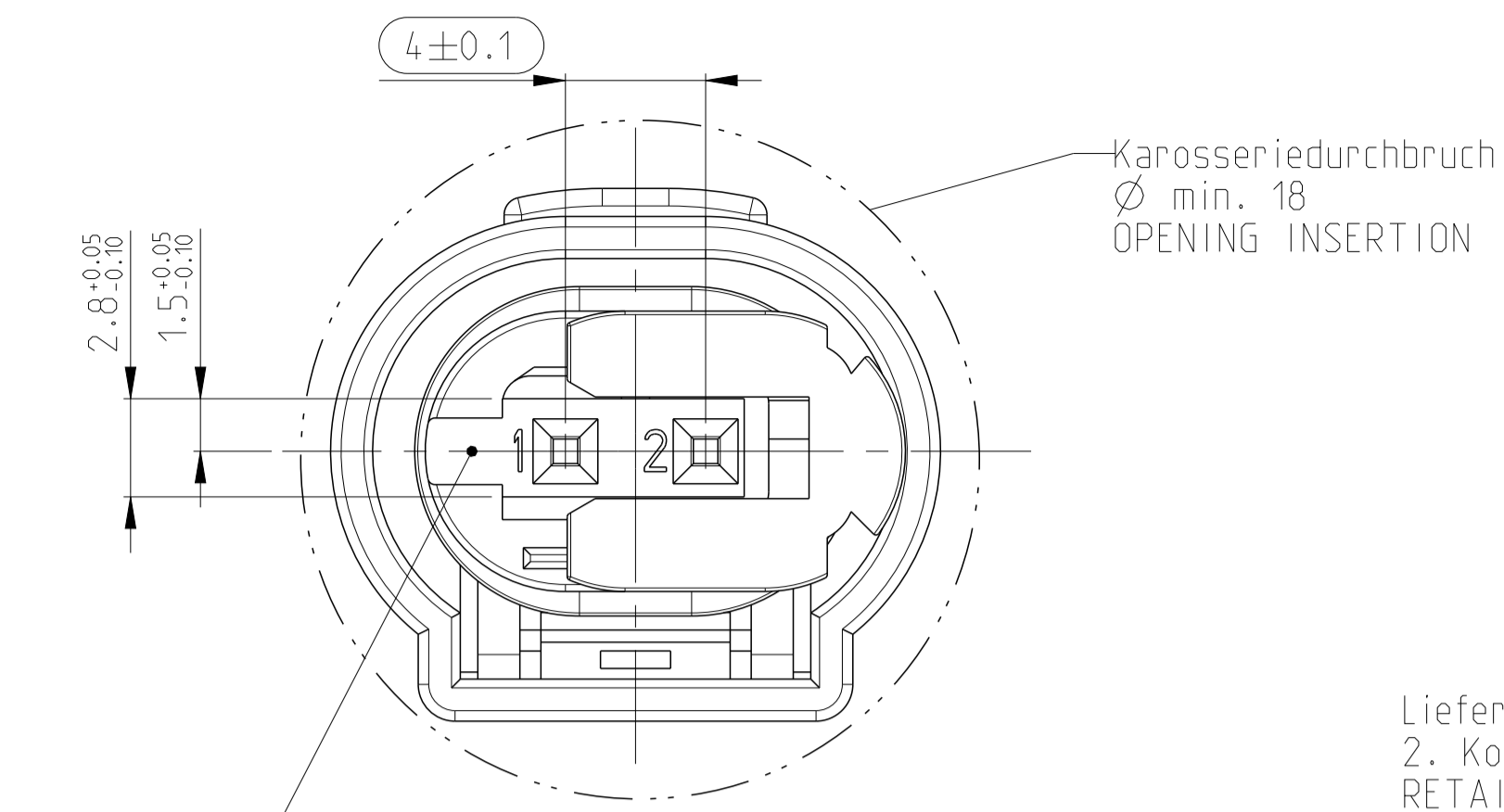
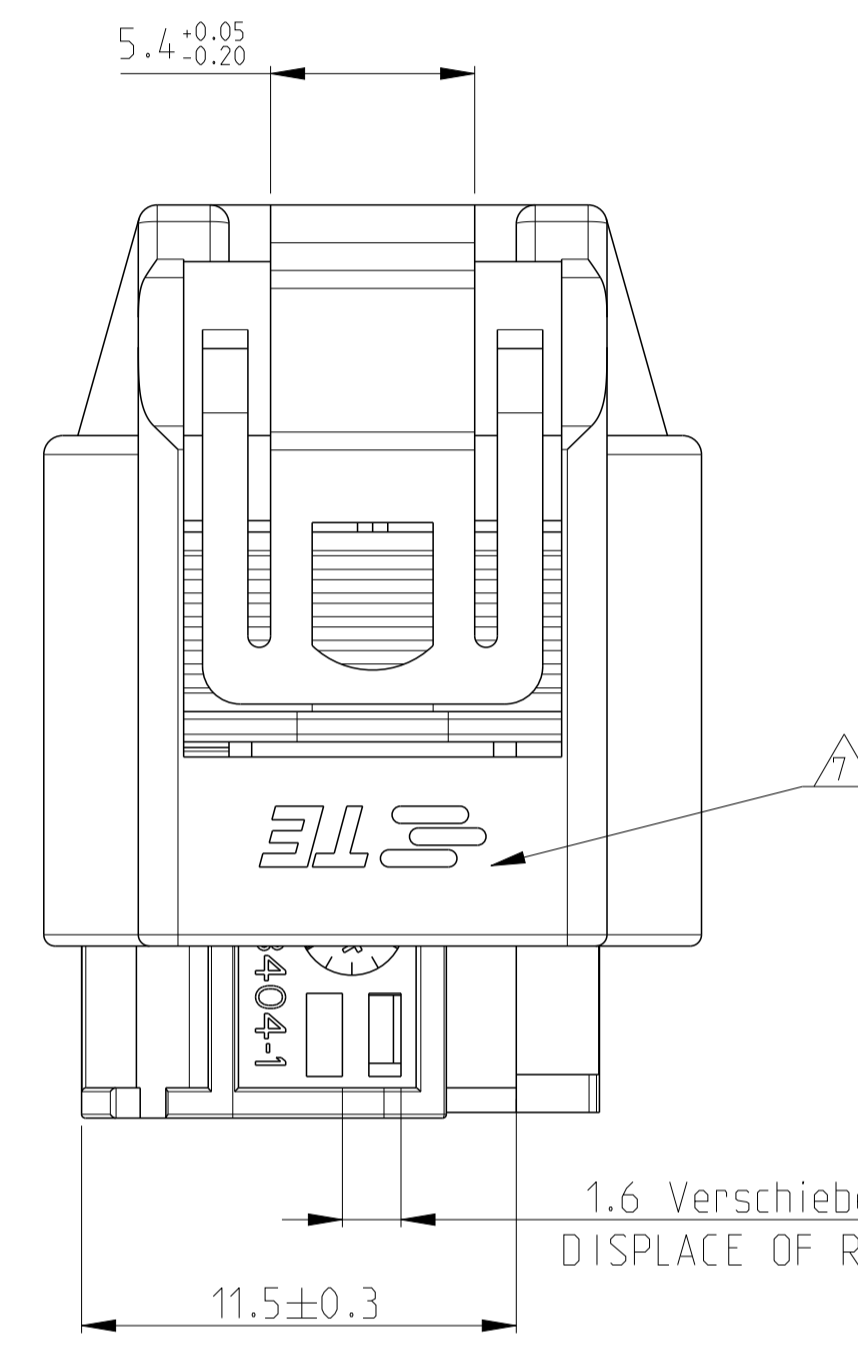
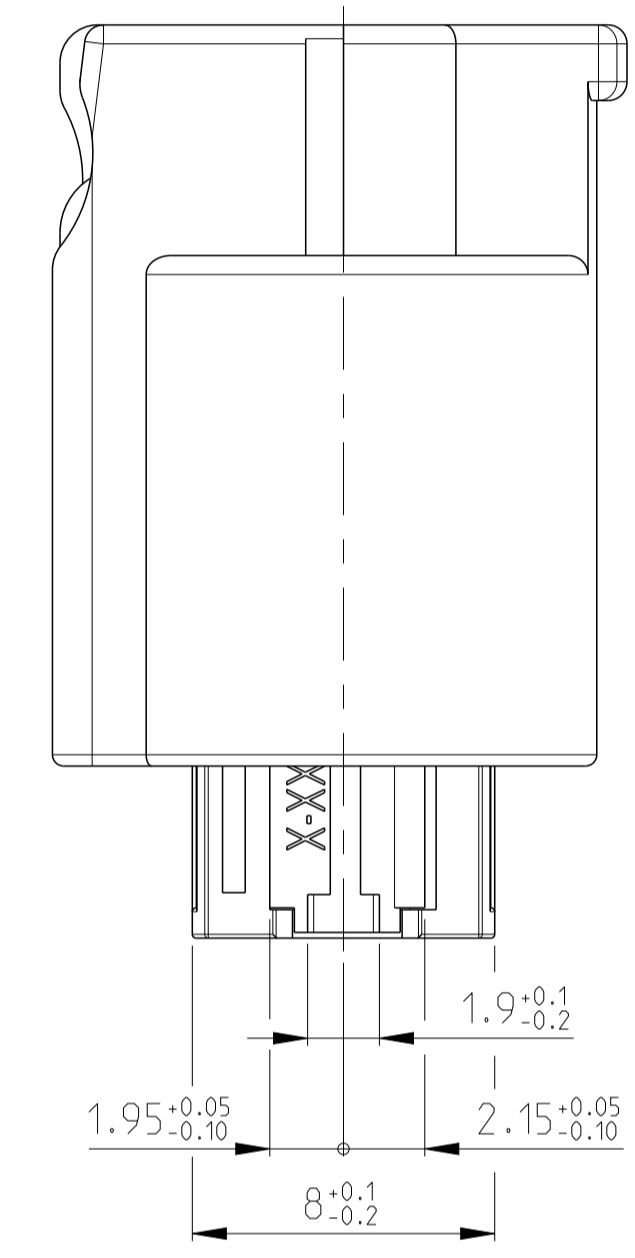


LOC	DIST	REVISIONS			
A1	-	REV	DATE	BY	CHK
A11	ECR-11-007964		02MAY2011	AL	HS
A12	ECR-11-016777		18MAY2011	AL	HS
A13	E-17-018641		21DEC2017	HD	GILCH

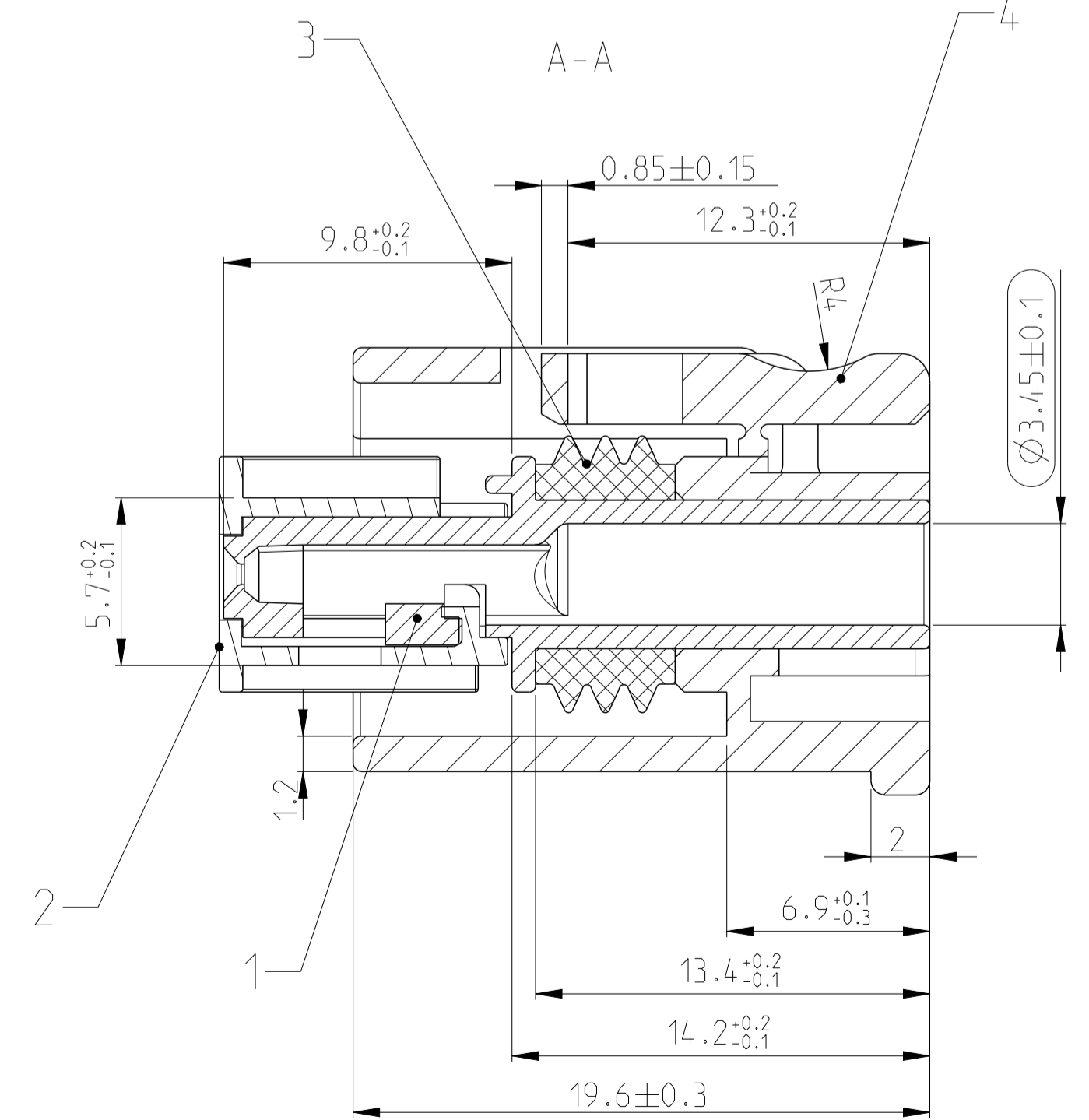
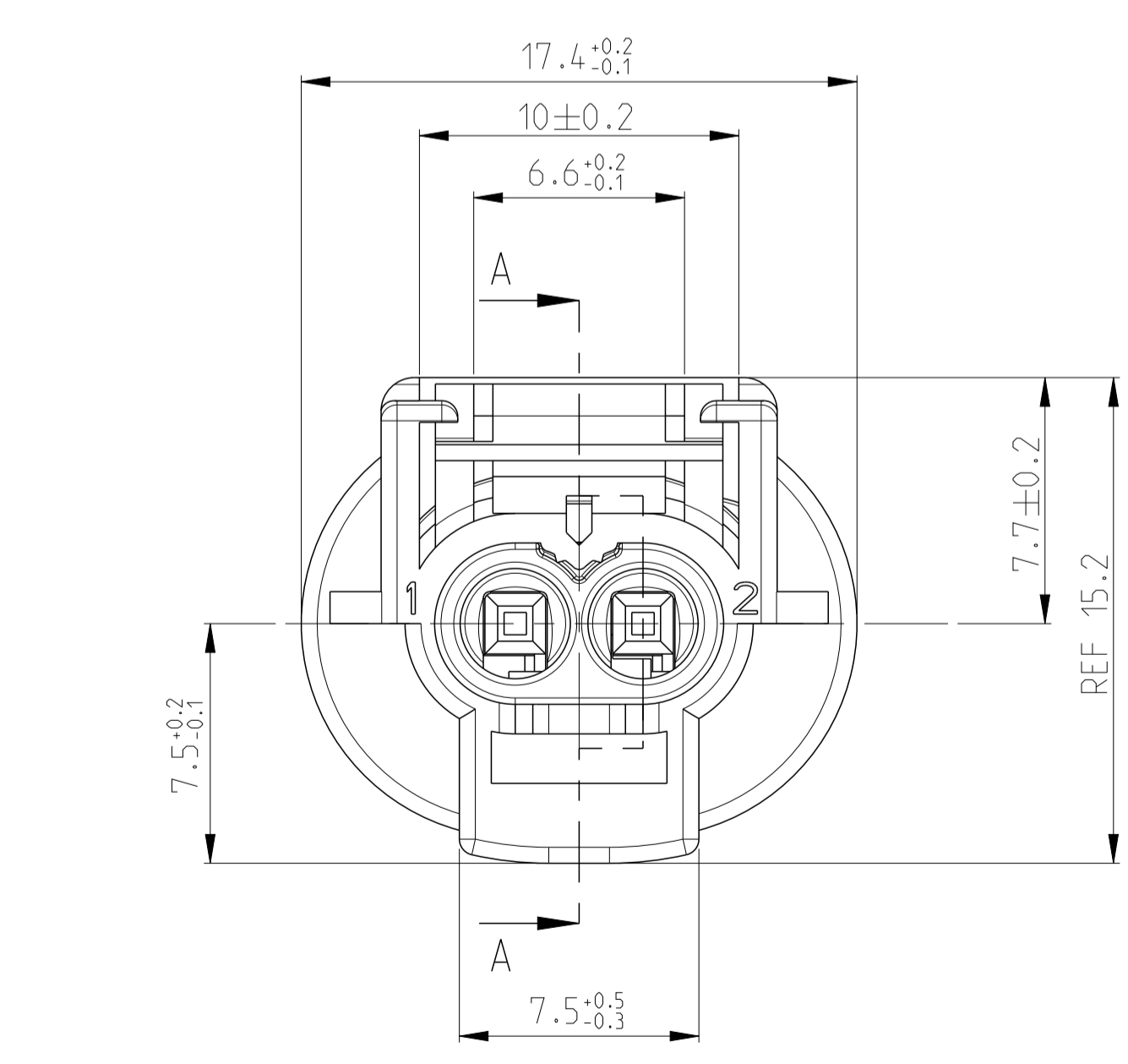
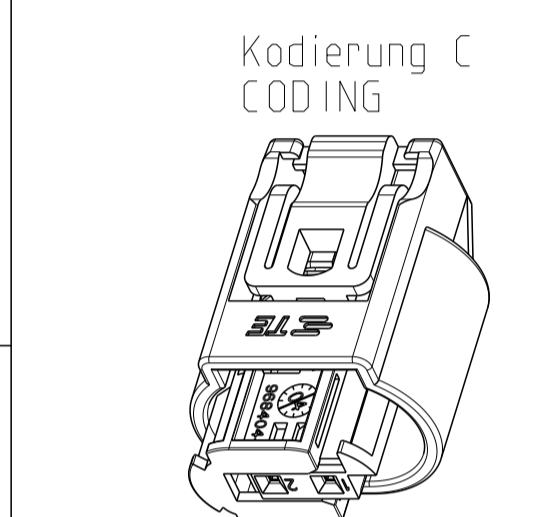
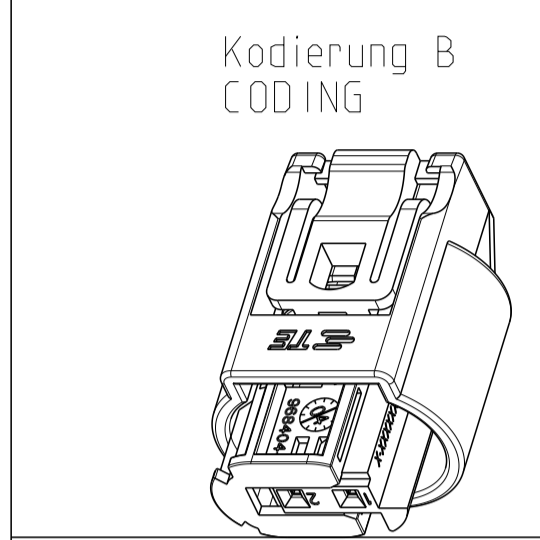
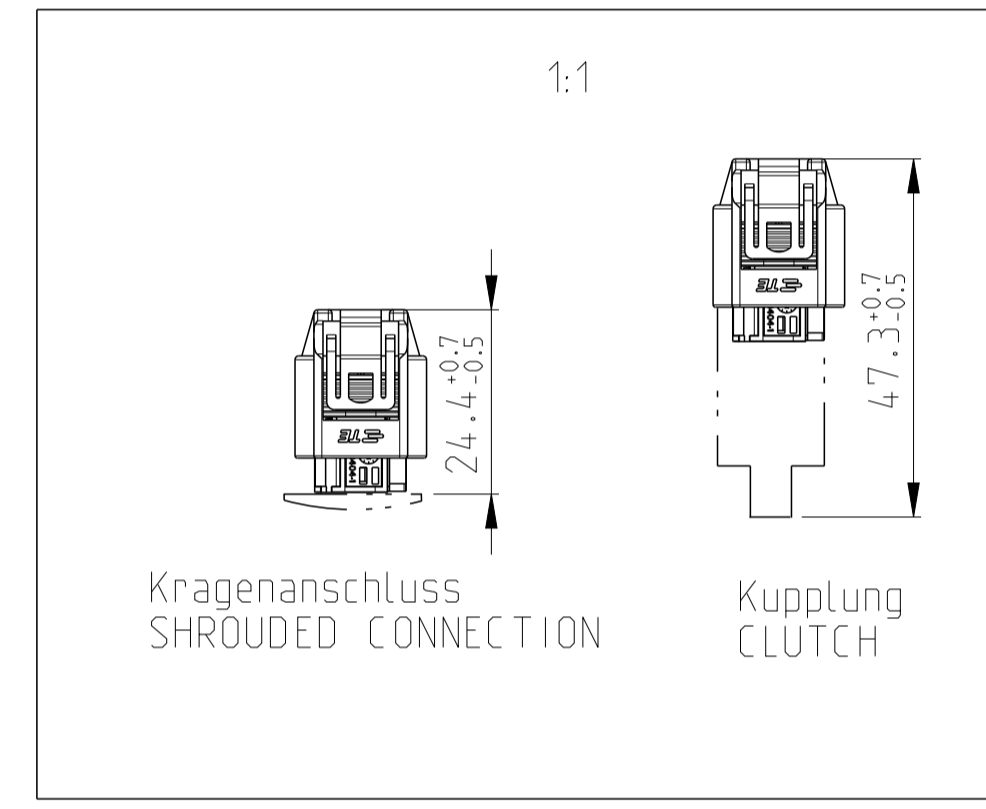


Lieferzustand/CONDITION ON DELIVERY
 2. Kontaktsicherung in Vorraststellung
 RETAINER IN PRELOCKED POSITION

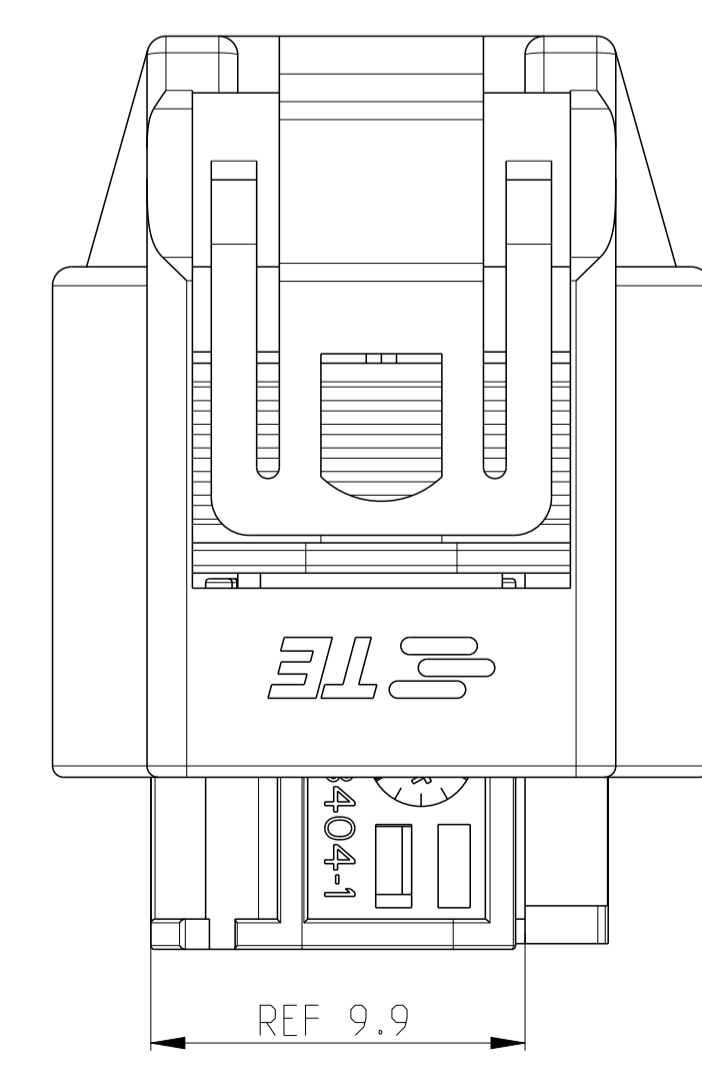


NOTES:
 Bemerkungen:

- ONLY THE GERMAN-LANGUAGE VERSION SHALL BE BINDING
 Massgebend ist der deutsche Text
 - SUITABLE FOR SOCKET CONTACT FOR SINGLE WIRE SEALING.
 TE 962885 (DGB 0.2-0.5mm²), 965906 (DGB 0.75mm²)
 Passend zu Buchsenkontakt fuer Einzelleiterabdichtung.
 TE 962885 (DGB 0.2-0.5mm²), 965906 (DGB 0.75mm²)
 - SHROUDED CONNECTION SEE DRAWING:
 TE 114-18063-122
 Kragenanschluss siehe Zeichnung:
 TE 114-18063-122
 - SUITABLE FOR WIRE SIZE RANGE: TO 0.75 mm²
 Passend fuer Leitungsquerschnitt: bis 0.75 mm²
 -
 -
- △ TE-LOGO OPTIONAL
 TE-Logo optional



2. Kontaktsicherung in Endraststellung
 RETAINER IN ENDOCKED POSITION



COD	TE-ORDER-NO.	TITLE Benennung	QTY	MATERIAL	SURFACE/Obfl. COLOUR/Farbe	ITEM
A	7-967644-3	COVER Schutzkappe	1	PBT-GF10	YELLOW gelb	4
		SEALING Dichtung	1	MQV 30	NATURAL natur	3
		RETAINER 2. Kontaktsicherung	1	PBT-GF15	GREEN gruen	2
		SOCKET HOUSING Buchsengehaeuse	1	PBT-GF15	BLACK schwarz	1
Z	9-967644-1	COVER Schutzkappe	1	PBT-GF10	BLACK schwarz	4
		SEALING Dichtung	1	MQV 30	NATURAL natur	3
		RETAINER 2. Kontaktsicherung	1	PBT-GF15	GREEN gruen	2
		SOCKET HOUSING Buchsengehaeuse	1	PBT-GF15	WATERBLAU wasserblau	1
C	3-967644-1	COVER Schutzkappe	1	PBT-GF10	BLACK schwarz	4
		SEALING Dichtung	1	MQV 30	NATURAL natur	3
		RETAINER 2. Kontaktsicherung	1	PBT-GF15	GREEN gruen	2
		SOCKET HOUSING Buchsengehaeuse	1	PBT-GF15	BLUE blau	1
B	2-967644-1	COVER Schutzkappe	1	PBT-GF10	BLACK schwarz	4
		SEALING Dichtung	1	MQV 30	NATURAL natur	3
		RETAINER 2. Kontaktsicherung	1	PBT-GF15	GREEN gruen	2
		SOCKET HOUSING Buchsengehaeuse	1	PBT-GF15	GREY grau	1
A	1-967644-1	COVER Schutzkappe	1	PBT-GF10	BLACK schwarz	4
		SEALING Dichtung	1	MQV 30	NATURAL natur	3
		RETAINER 2. Kontaktsicherung	1	PBT-GF15	GREEN gruen	2
		SOCKET HOUSING Buchsengehaeuse	1	PBT-GF15	BLACK schwarz	1

THIS DRAWING IS A CONTROLLED DOCUMENT. DIMENSIONS: mm. TOLERANCES UNLESS OTHERWISE SPECIFIED: DIN 16901-140. MATERIAL: -. FINISH: -. THIS DRAWING IS UNPUBLISHED. RELEASED FOR PUBLICATION 2011. ALL RIGHTS RESERVED.

OWN: M. Trajkov. OBAUG1996. CHK: -. NAME: -. APVD: -. PRODUCT SPEC: 108-18272-0. APPLICATION SPEC: 114-18061. WEIGHT: -. CUSTOMER DRAWING: -. SCALE: 5:1. SHEET: 1 OF 1. REV: A13.

STE TE Connectivity
 Micro Quadlok System
 Buchsengehaeuse, Einzeldichtungs-

X-ON Electronics

Largest Supplier of Electrical and Electronic Components

Click to view similar products for [Automotive Connectors](#) category:

Click to view products by [TE Connectivity](#) manufacturer:

Other Similar products are found below :

[003-018-000](#) [600858](#) [60403001](#) [60993906-B](#) [60993913-B](#) [629515004020001](#) [M902-2131](#) [M902-2161](#) [M902-2344](#) [72.330.1035.1](#)
[73.353.4028.0](#) [F118010](#) [F119300-B](#) [F132210](#) [F132210-B](#) [F166900](#) [F180100](#) [F258300](#) [F258300-B](#) [F294300-B](#) [F339100](#) [F339700](#) [F358300-](#)
[B](#) [F374110](#) [F407400](#) [F412210](#) [F427600](#) [F444110](#) [F487000](#) [F495100-B](#) [F500900-B](#) [F509500B-B](#) [770444-1](#) [776880-1](#) [827153-1](#) [881735-1](#)
[8N1515-32-24P](#) [9-1326727-8](#) [9-1326729-8](#) [925467-1](#) [925474-1](#) [928905-1](#) [936398-2](#) [964562-1](#) [964562-4](#) [964731-2](#) [965051-1](#) [968782-1](#)
[GT17SA-8DS-HU](#) [GT17VS-10DP-5.2CF](#)