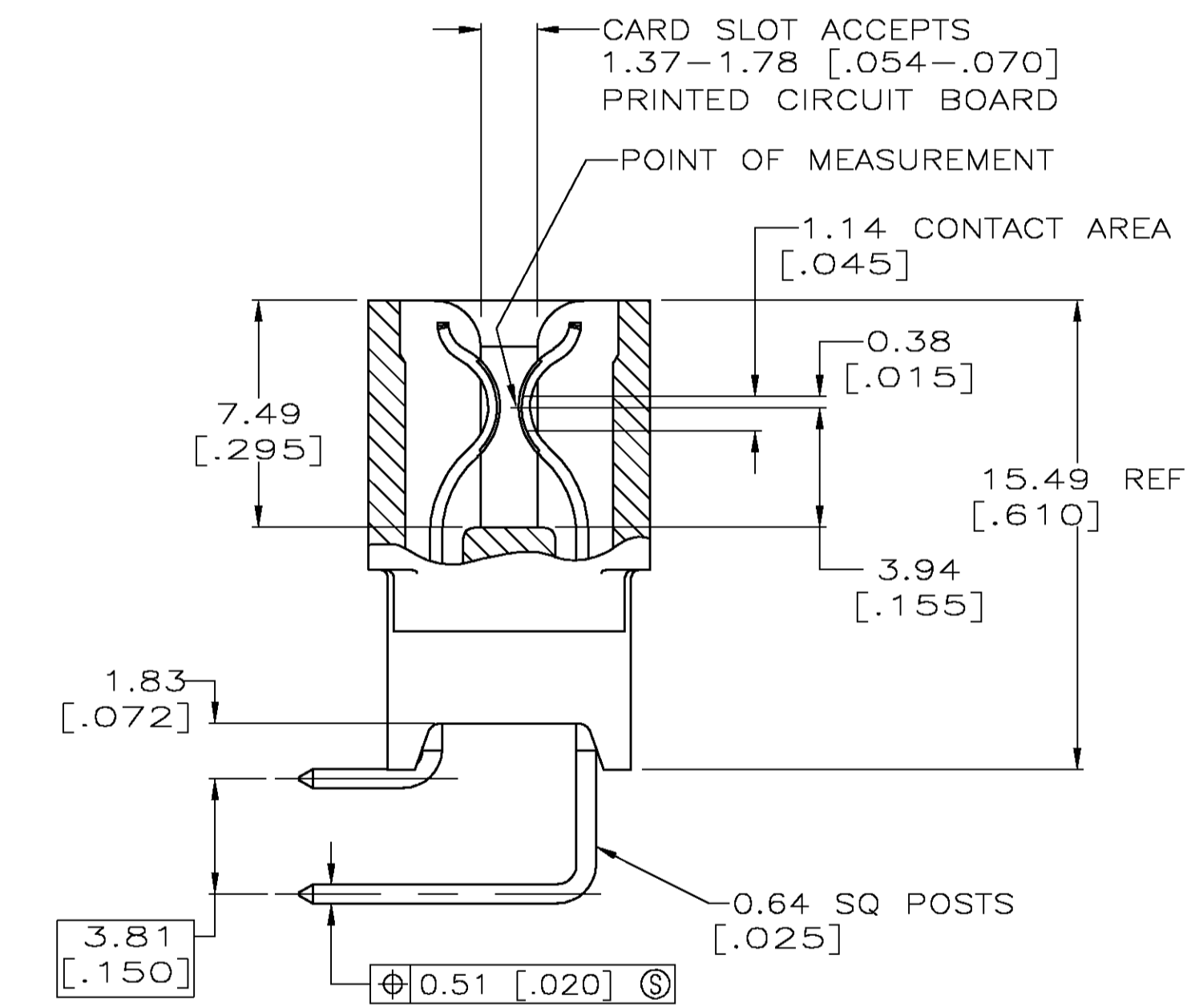
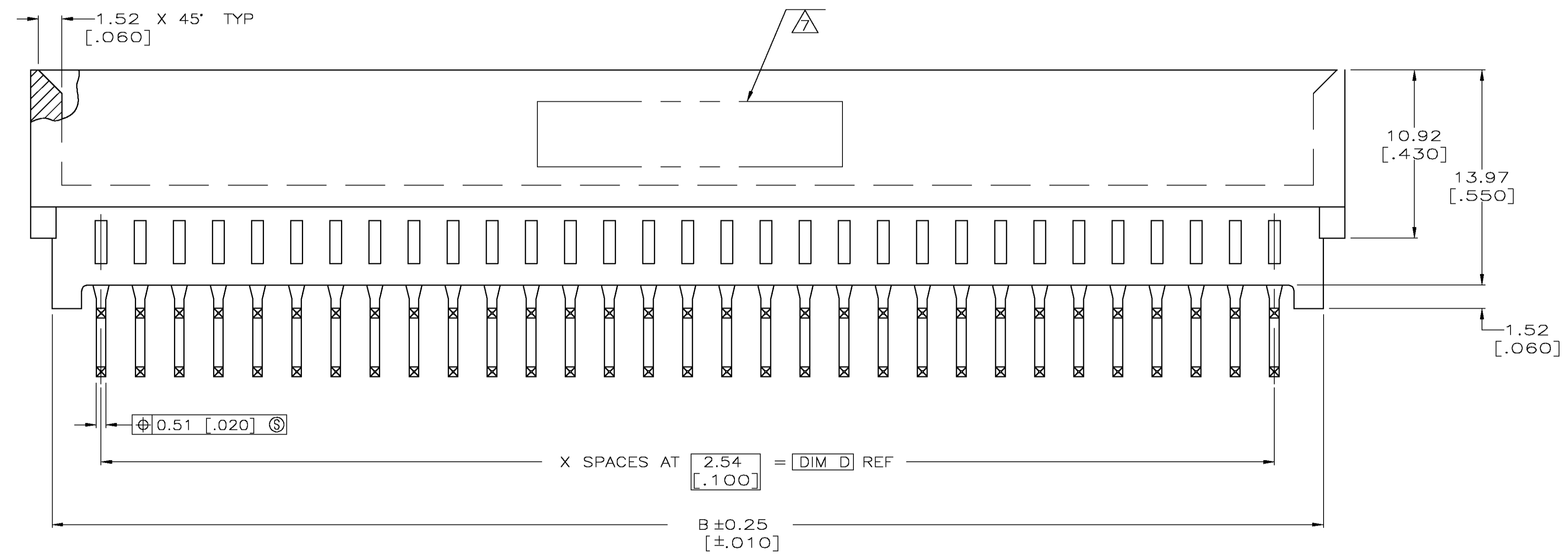


- ① HOUSING: GLASS FILLED POLYESTER; COLOR: BLACK.
- ② CONTACT: PHOSPHOR BRONZE.
- ③ NICKEL UNDERPLATE: 0.00127 [.000050] MIN - ALL OVER.
- ④ MATTE TIN PLATE: 0.00254 [.000100] MIN - SOLDER POSTS.
- ⑤ GOLD PLATE: 0.00038 [.000015] MIN - CONTACT AREA.
- ⑥ NICKEL PLATE PER MIL-C-45204.
GOLD PLATE PER QQ-N-290.
- ⑦ AMP PART NUMBER AND DATE CODE ARE MARKED IN APPROXIMATE AREA SHOWN, EITHER SIDE.
- ⑧ DATUMS AND BASIC DIMENSIONS ESTABLISHED BY CUSTOMER.
PIN 1 LOCATION AND DESIGNATION ESTABLISHED BY CUSTOMER.



45.72 [1.800]	50.80 [2.000]	52.07 [2.050]	54.864 [2.160]	18	19	5532600-6
78.74 [3.100]	83.82 [3.300]	85.09 [3.350]	87.88 [3.460]	31	32	5532600-5
76.20 [3.000]	81.28 [3.200]	82.55 [3.250]	85.34 [3.360]	30	31	5532600-4
60.96 [2.400]	66.04 [2.600]	67.31 [2.650]	70.10 [2.760]	24	25	5532600-2
D	C	B	A	X	NO OF POSN	PART NUMBER

THIS DRAWING IS A CONTROLLED DOCUMENT.

DIMENSIONS: mm 	TOLERANCES UNLESS OTHERWISE SPECIFIED: 0 PLC ± - 1 PLC ± - 2 PLC ± ± 0.13[.005] 3 PLC ± ± - 4 PLC ± ± - ANGLES ± ± Z	DWN AL FRANTUM 18 OCT 04 CHK AL FRANTUM 18 OCT 04 APVD PRODUCT SPEC 108-9039 APPLICATION SPEC SIZE A1 CAGE CODE 00779 DRAWING NO 5532600 WEIGHT CUSTOMER DRAWING	Tyco Electronics Corporation Harrisburg, Pa 17105-3608 NAME CONNECTOR ASSEMBLY, STD EDGE II, 2.54 [.100] x 3.81 [.150], RIGHT ANGLE SCALE 5:1 SHEET 1 OF 2 REV B
-----------------------	--	---	---

X-ON Electronics

Largest Supplier of Electrical and Electronic Components

Click to view similar products for [Standard Card Edge Connectors](#) category:

Click to view products by [TE Connectivity](#) manufacturer:

Other Similar products are found below :

[6565204-6](#) [PKC-156](#) [1437274-4](#) [147889-1](#) [1489165-4](#) [EBT156-12B1X](#) [EBT15622B2X](#) [EBT156-22R2W](#) [1-582587-1](#) [1-582589-1](#) [2-6437275-9](#) [284-0102-12100](#) [306022901000000](#) [307-012-502-202](#) [307-024-526-201](#) [307-056-520-300](#) [307-080-526-208](#) [245-062-520-350](#) [287-0032-12101](#) [306-010-500-112](#) [306-028-525-102](#) [306-240-318](#) [307-036-502-202](#) [307-036-521-301](#) [307-072-526-202](#) [345-060-559-303](#) [368-004-520-201](#) [392-008-559-201](#) [534671-1](#) [5-530501-5](#) [341-240-317](#) [345-029-520-300](#) [345-030-500-301](#) [345-044-500-300](#) [345-220-058](#) [346-240-318](#) [357-030-526-201](#) [387-012-523-300](#) [395-044-520-300](#) [395-100-524-300](#) [50-12B-10](#) [50-6SN-5](#) [09-07-2032](#) [10035388-106LF](#) [10035388-802LF](#) [10122859-009LF](#) [10127905-B04B24BLF](#) [530555-1](#) [EBT156-15A2X](#) [2007209-1](#)