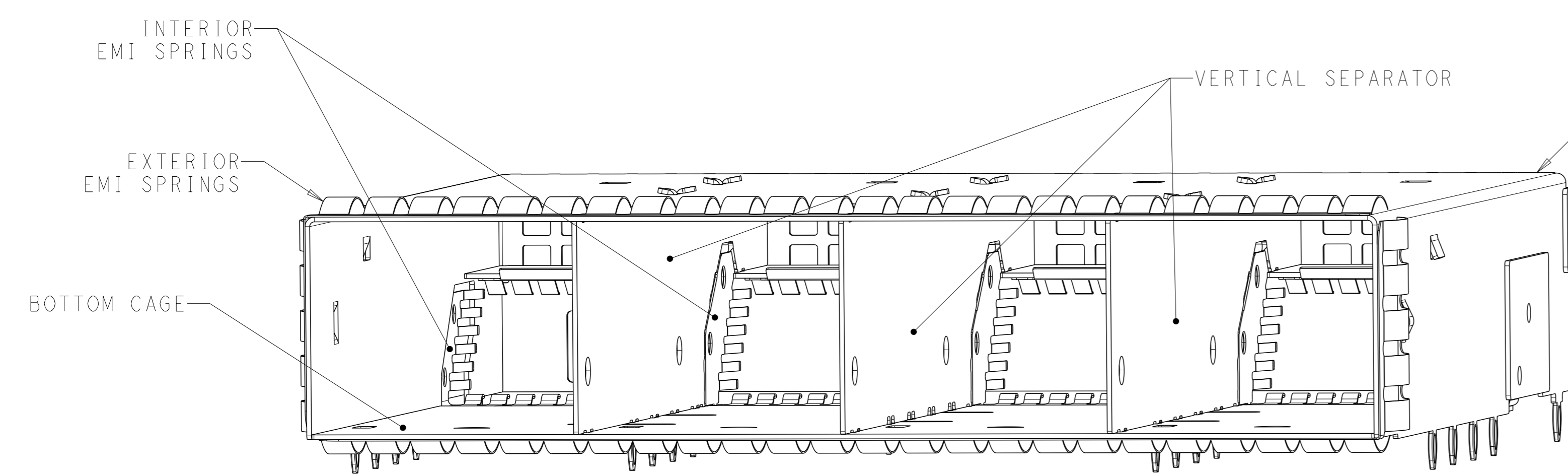
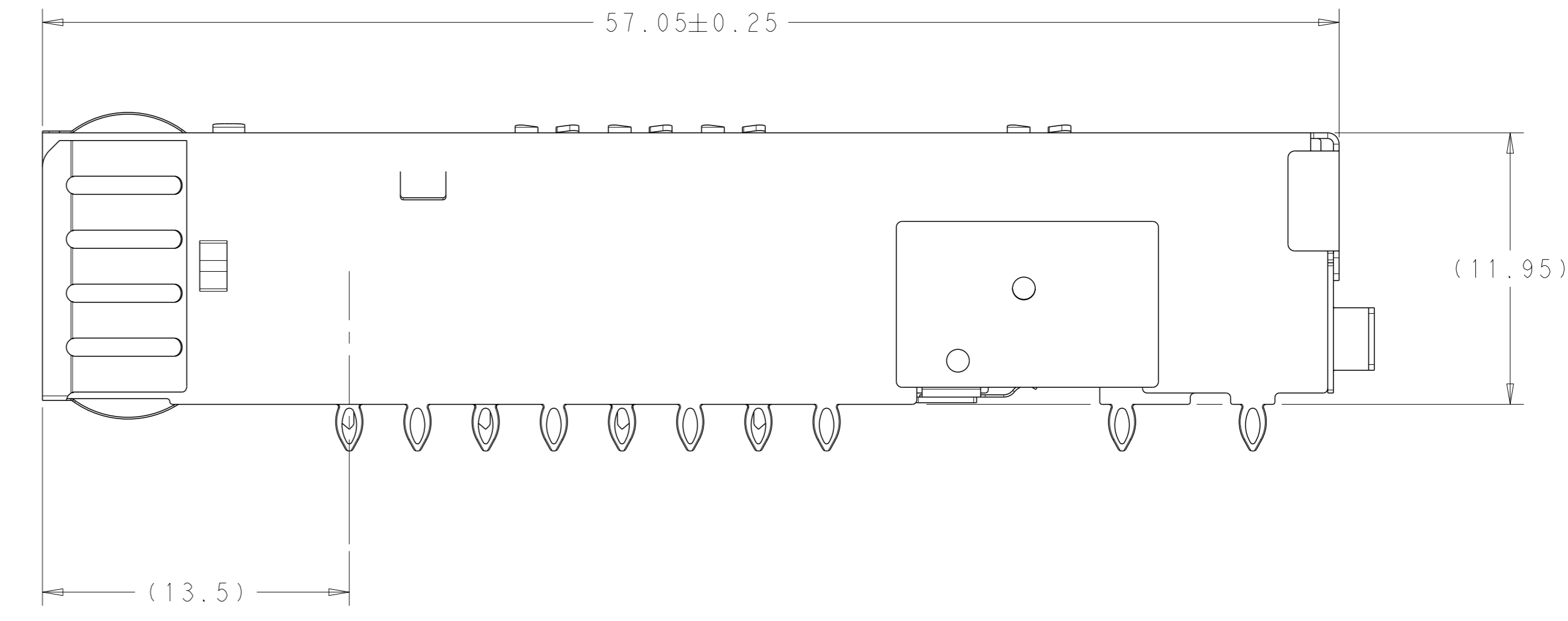
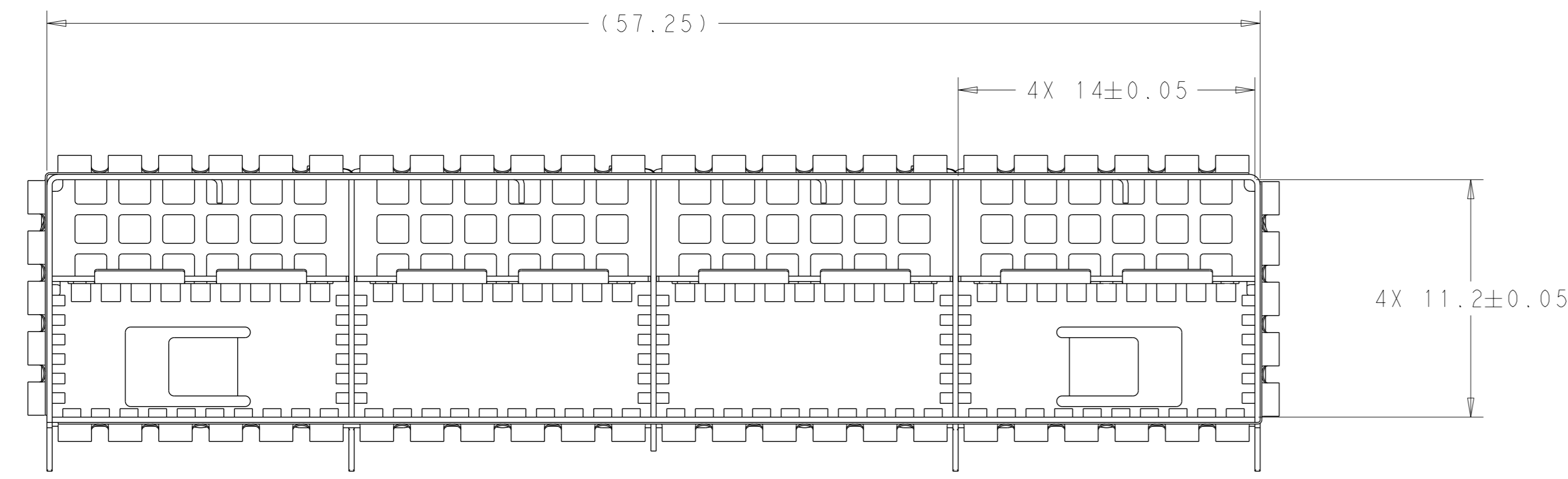
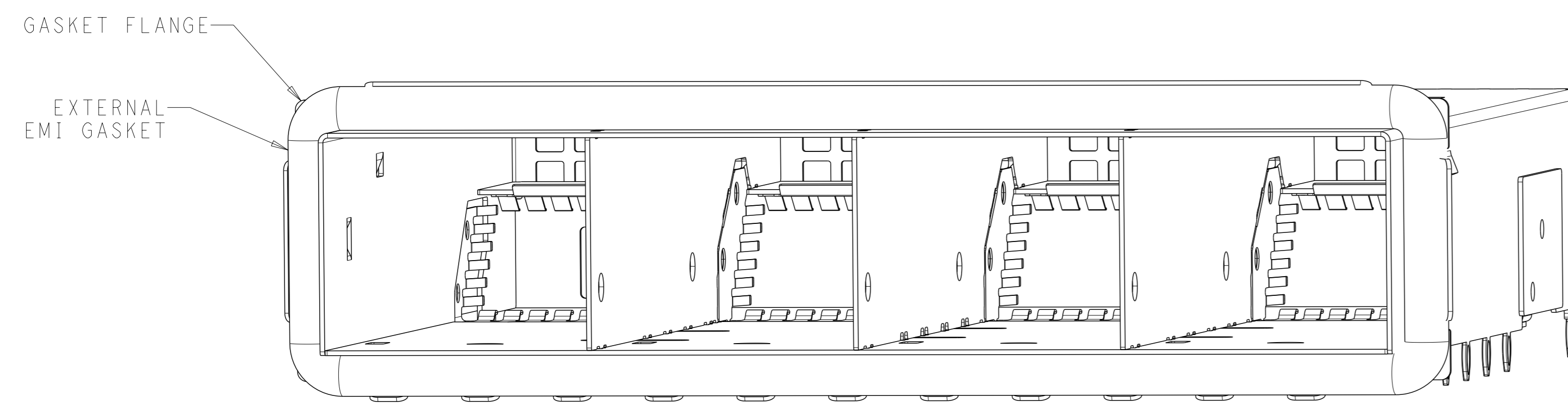


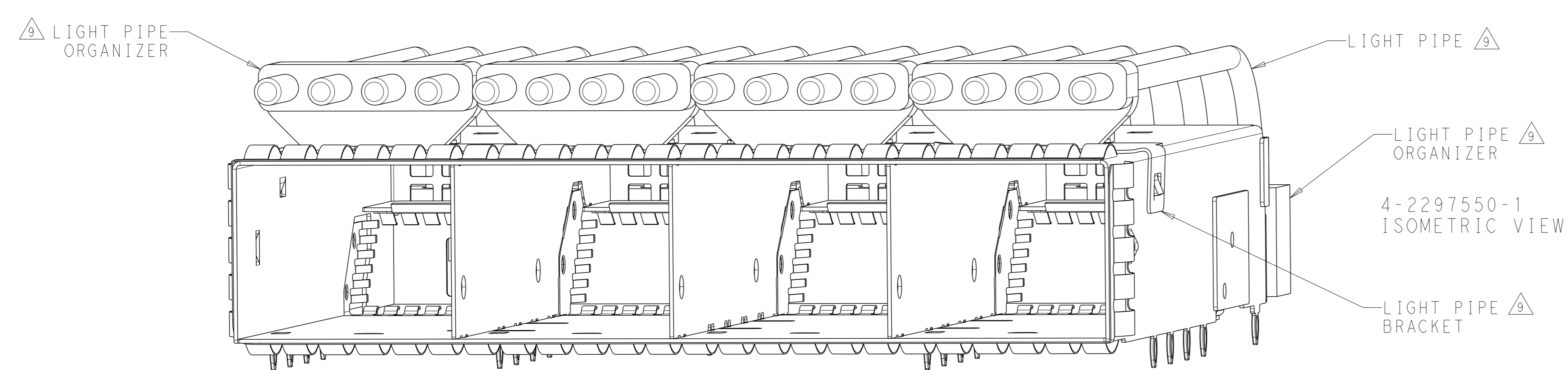
REVISIONS				
#	DATE	DESCRIPTION	DATE	OWN / APVD
A		REVISED PER ECO-17-013049	05OCT2017	A.P. E.B.



2297550-1 ISOMETRIC VIEW



2297550-2 ISOMETRIC VIEW



4-2297550-1 ISOMETRIC VIEW

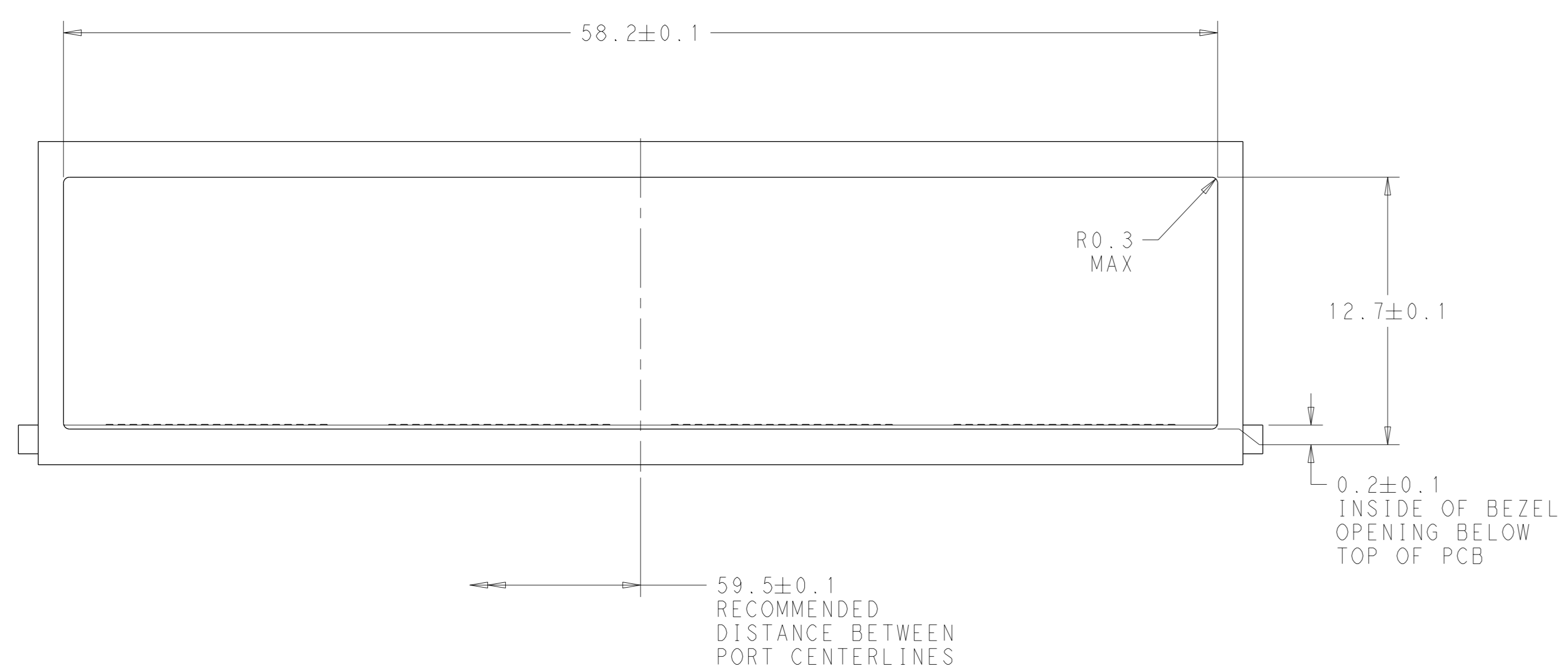
1. MATERIALS:  
 TOP AND BOTTOM CAGE - STAINLESS STEEL  
 VERTICAL SEPARATORS - STAINLESS STEEL  
 GASKET FLANGE - STAINLESS STEEL  
 EMI SPRINGS - COPPER ALLOY  
 EXTERNAL EMI GASKET - NICKEL CARBON  
 LIGHT PIPES - CLEAR POLYCARBONATE  
 LIGHT PIPE ORGANIZERS - POLYCARBONATE  
 LIGHT PIPE BRACKET - STAINLESS STEEL
2. FOR HOLE SIZE AND PLATINGS SEE APPLICATION SPEC 114-32151.
3. NOTE REMOVED.
4. LED PLACEMENT AREA FOR 4 LIGHT PIPE DASH NUMBERS.
5. LED PLACEMENT AREA FOR 2 LIGHT PIPE DASH NUMBERS.
6. LED PLACEMENT AREA FOR 1 LIGHT PIPE DASH NUMBERS.
7. COMPONENT KEEPOUT AND SURFACE TRACE KEEPOUT (EXCEPT CHASSIS GROUND).
8. COMPONENT KEEPOUT.
9. LIGHT PIPE ASSEMBLY SHOWN ASSEMBLED TO CAGE ASSEMBLY FOR REFERENCE. LIGHT PIPE ASSEMBLY IS SHIPPED UNASSEMBLED TO CAGE ASSEMBLY.

4	GASKET	4-2297550-2
4	SPRING	4-2297550-1
2	GASKET	2-2297550-2
2	SPRING	2-2297550-1
1	GASKET	1-2297550-2
1	SPRING	1-2297550-1
0	GASKET	2297550-2
0	SPRING	2297550-1
LIGHT PIPES PER PORT		PART NUMBER
EXTERNAL EMI SHIELDING		

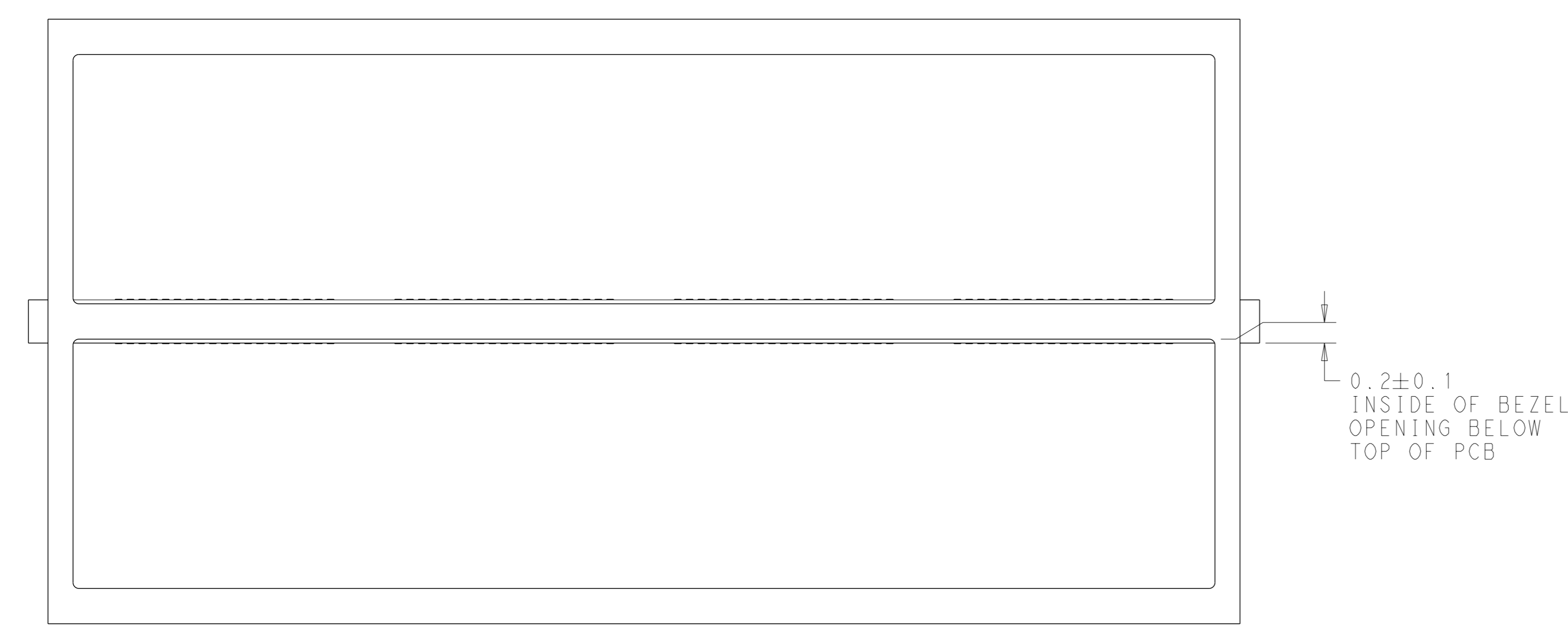
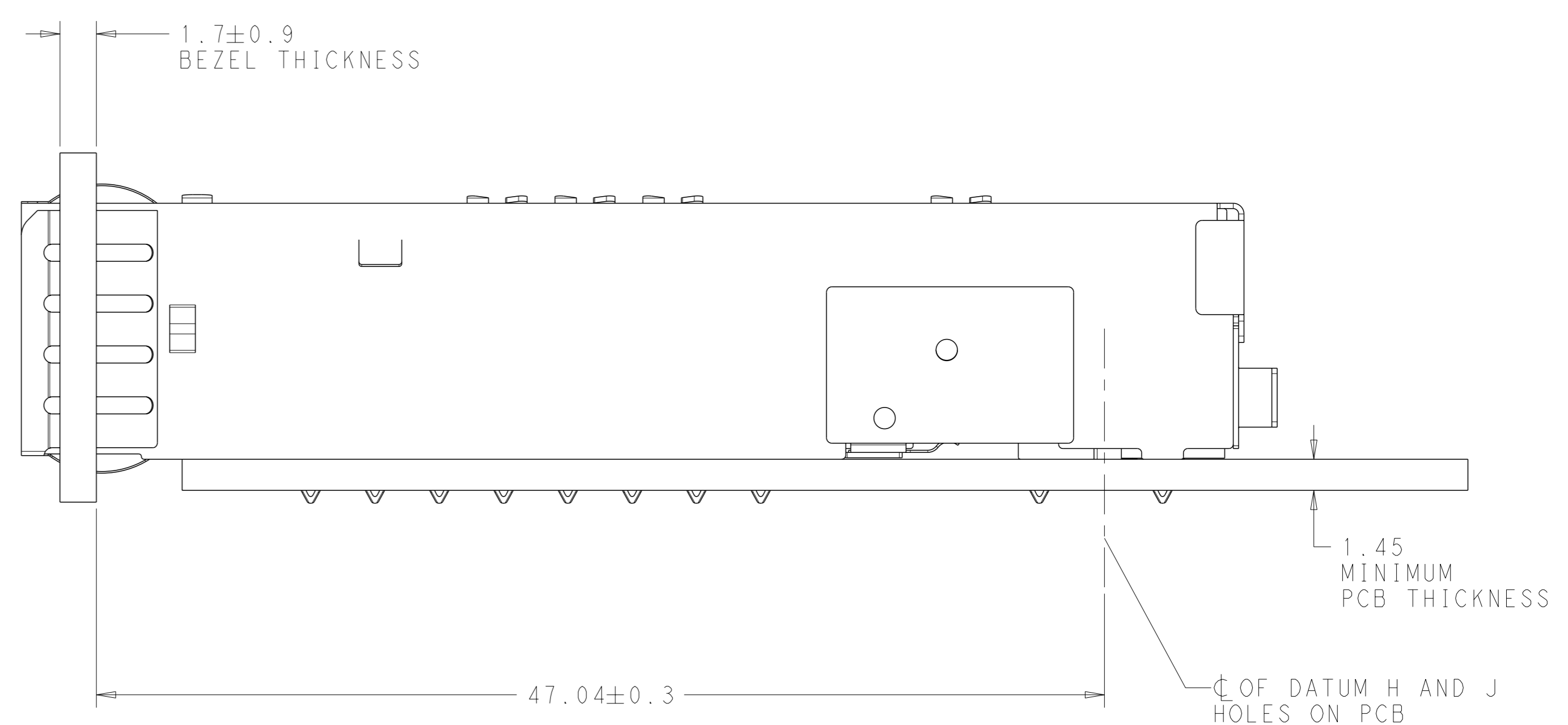
THIS DRAWING IS A CONTROLLED DOCUMENT.

DIMENSIONS:	TOLERANCES UNLESS OTHERWISE SPECIFIED:	OWN: C. VALENTINE 12JAN2016	CHK: E. BRIANT 12JAN2016	APVD: E. BRIANT 12JAN2016	NAME: CAGE ASSEMBLY, 1X4, microQSFP
mm	0 PLC ± 1 PLC ± 2 PLC ± 3 PLC ± 4 PLC ± ANGLES ±1*				SIZE: A1
MATERIAL:	FINISH:	108-32129 APPLICATION SPEC	114-32151	WEIGHT:	SCALE: 5:1
CUSTOMER DRAWING		SHEET 1 OF 6			REV A

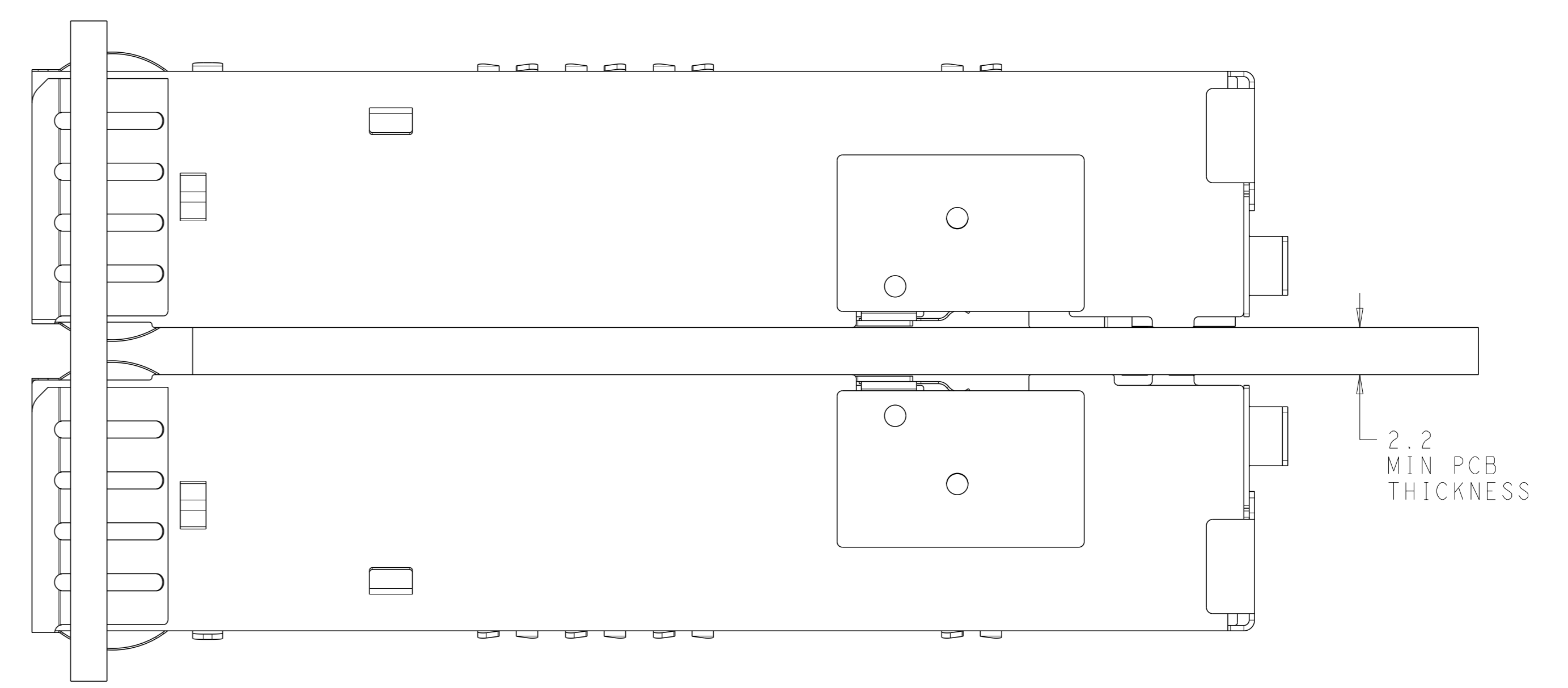
REVISIONS				
#	LY#	DESCRIPTION	DATE	OWN
-	-	SEE SHEET 1	-	-



2297550-1  
 SINGLE SIDED  
 PCB AND BEZEL LAYOUT

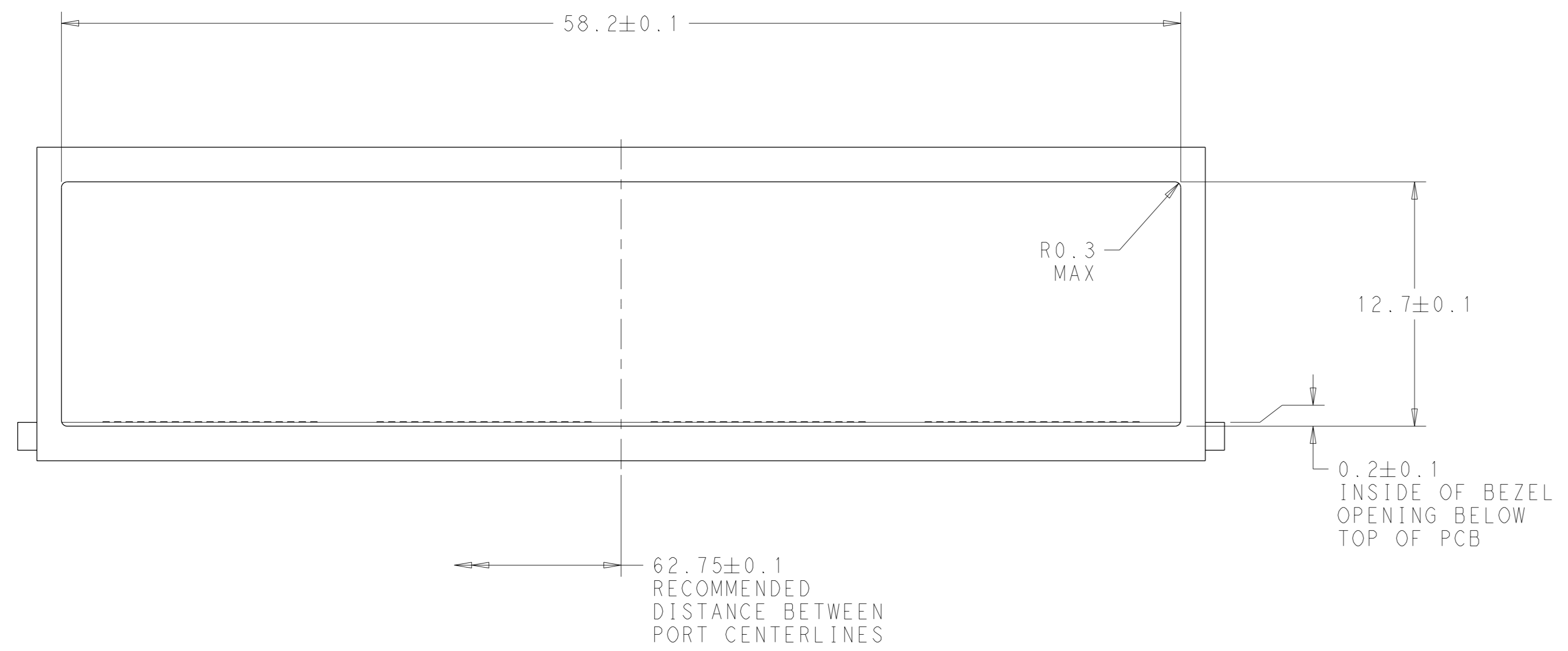


2297550-1  
 BELLY TO BELLY  
 SAME AS SINGLE SIDED  
 EXCEPT WHERE NOTED  
 PCB AND BEZEL LAYOUT

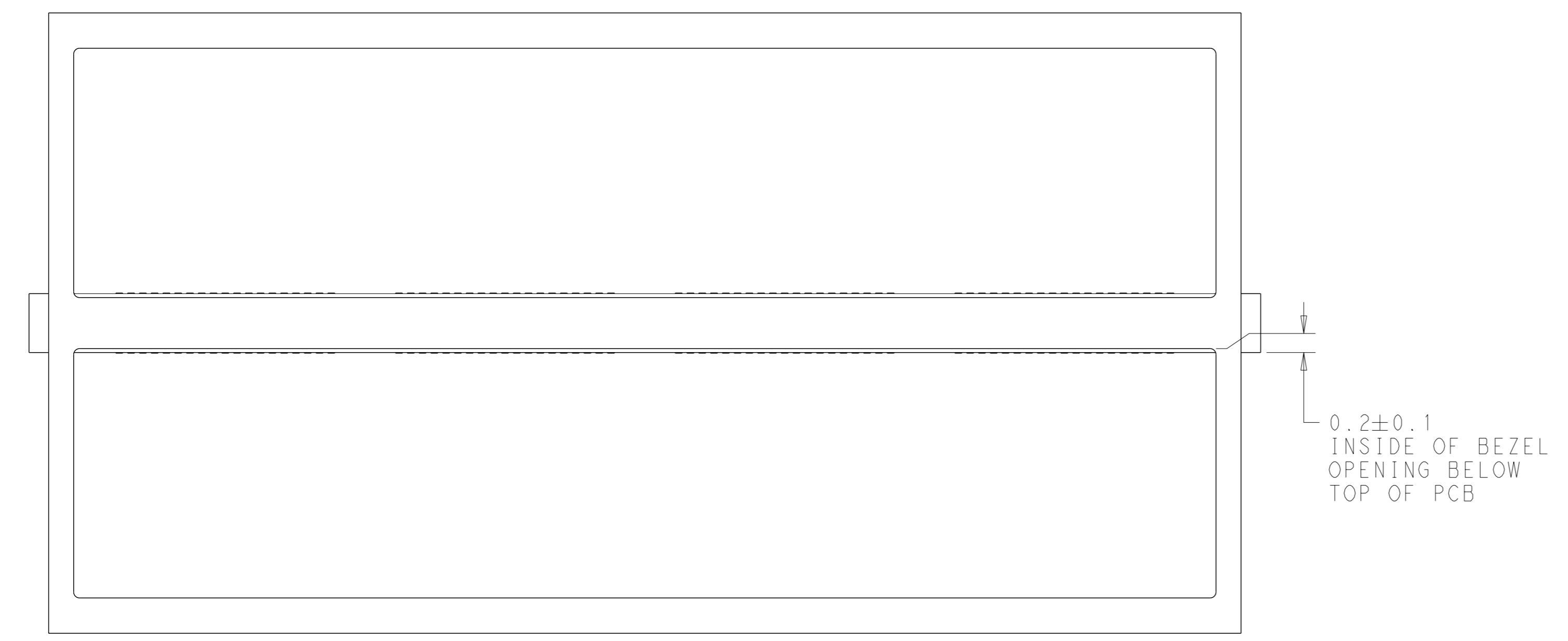
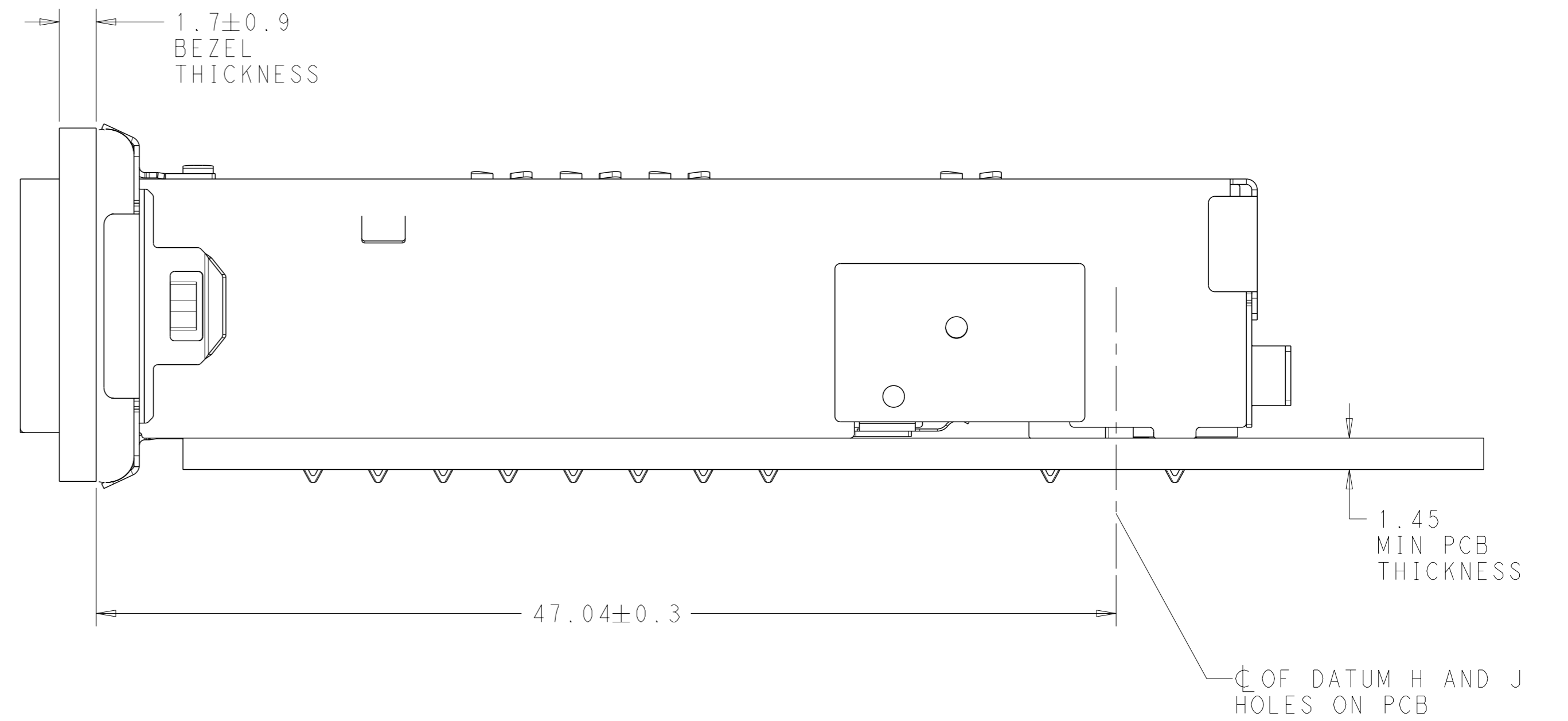


THIS DRAWING IS A CONTROLLED DOCUMENT.		OWN C. VALENTINE 12 JAN 2016	TE Connectivity	
DIMENSIONS:		CHK E. BRIANT 12 JAN 2016	NAME CAGE ASSEMBLY, 1X4, microQSPF	
mm	TOLERANCES UNLESS OTHERWISE SPECIFIED:	APVD E. BRIANT 12 JAN 2016	PRODUCT SPEC 108-32129	
0 PLC	±	APPLICATION SPEC	-	
1 PLC	±	114-32151	SIZE A1	
2 PLC	±	WEIGHT	CAGE CODE DRAWING NO -	
3 PLC	±	CUSTOMER DRAWING	SCALE 5:1 SHEET 2 OF 6 REV A	
4 PLC	±			
ANGLES	*1°			
FINISH				

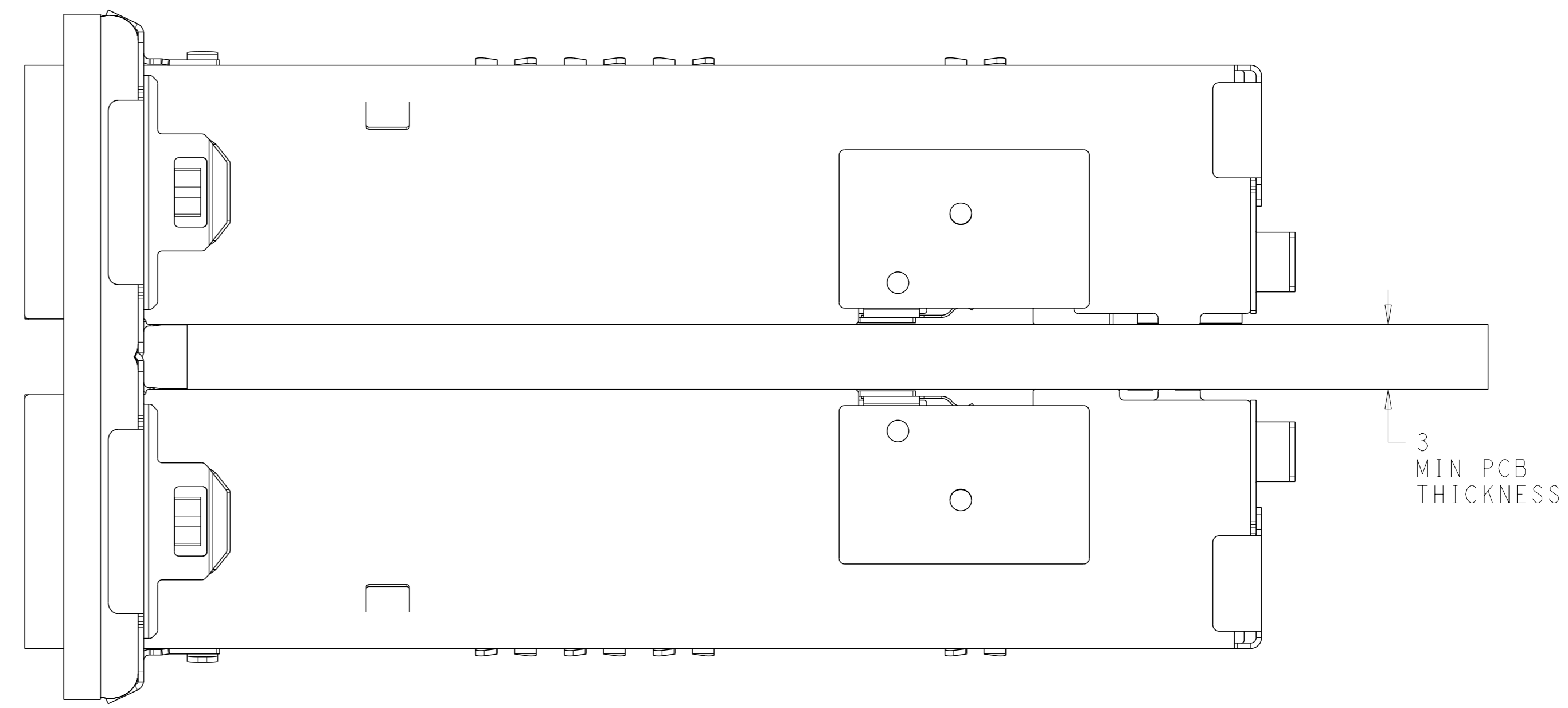
REVISIONS				
#	LY#	DESCRIPTION	DATE	OWN APVD
-	-	SEE SHEET 1	-	-



2297550-2  
 SINGLE SIDED  
 PCB AND BEZEL LAYOUT

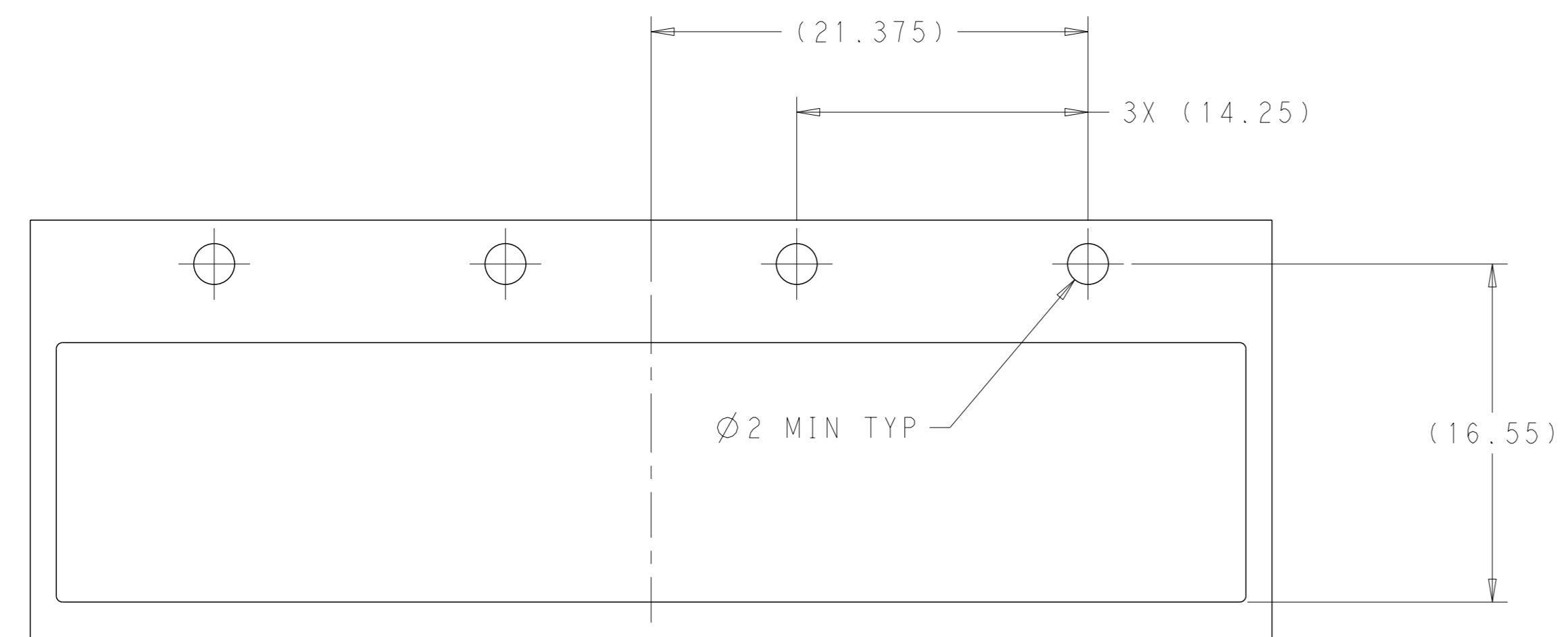


2297550-2  
 BELLY TO BELLY  
 SAME AS SINGLE SIDED  
 EXCEPT WHERE NOTED  
 PCB AND BEZEL LAYOUT

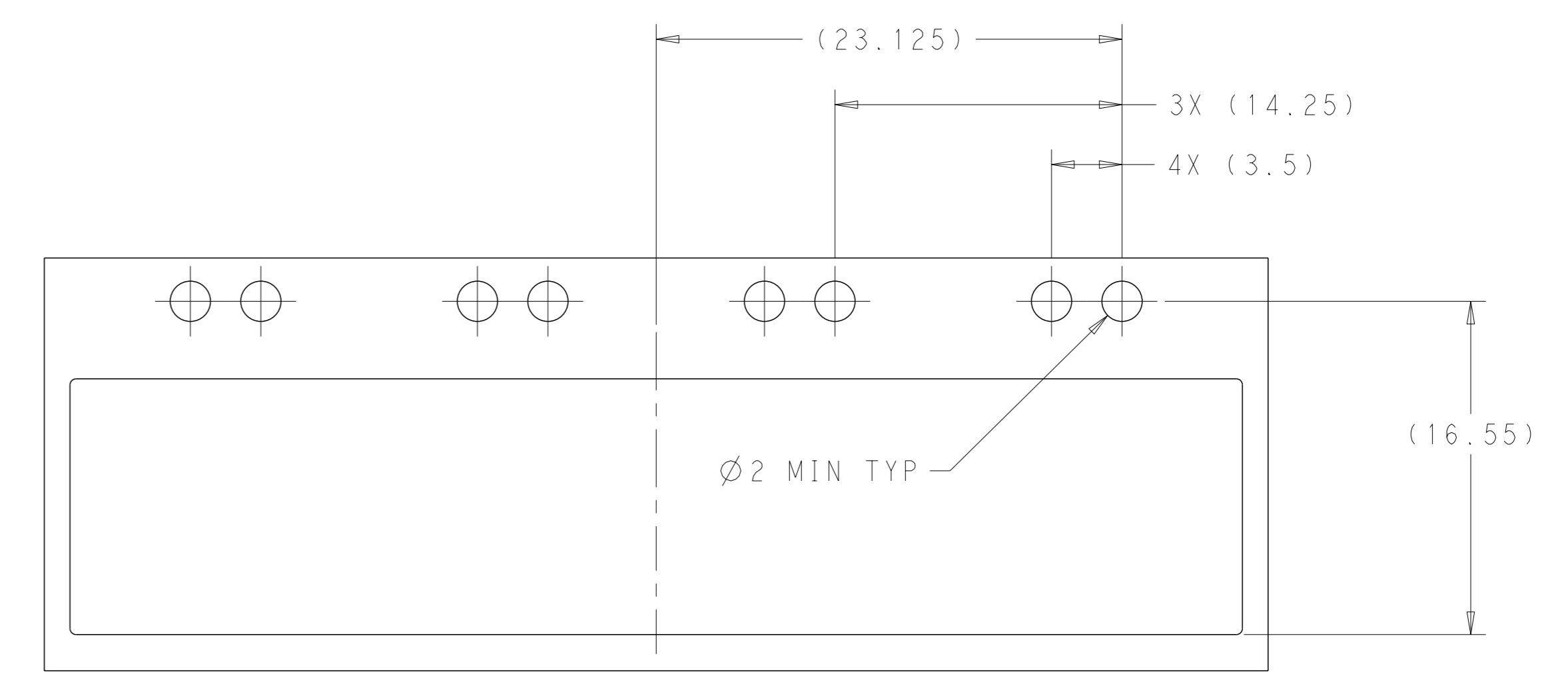


THIS DRAWING IS A CONTROLLED DOCUMENT.		OWN C. VALENTINE 12 JAN 2016	TE Connectivity	
DIMENSIONS:		CHK E. BRIANT 12 JAN 2016	NAME CAGE ASSEMBLY, 1X4, microQSFP	
mm	TOLERANCES UNLESS OTHERWISE SPECIFIED:	APVD E. BRIANT 12 JAN 2016	PRODUCT SPEC 108-32129	
0 PLC ±	1 PLC ±	APPLICATION SPEC	SIZE A1	
2 PLC ±	3 PLC ±	114-32151	CAGE CODE DRAWING NO C=2297550	
4 PLC ±	ANGLES FINISH *1*	WEIGHT	RESTRICTED TO	
MATERIAL		CUSTOMER DRAWING	SCALE 5:1	SHEET 3 OF 6 REV A

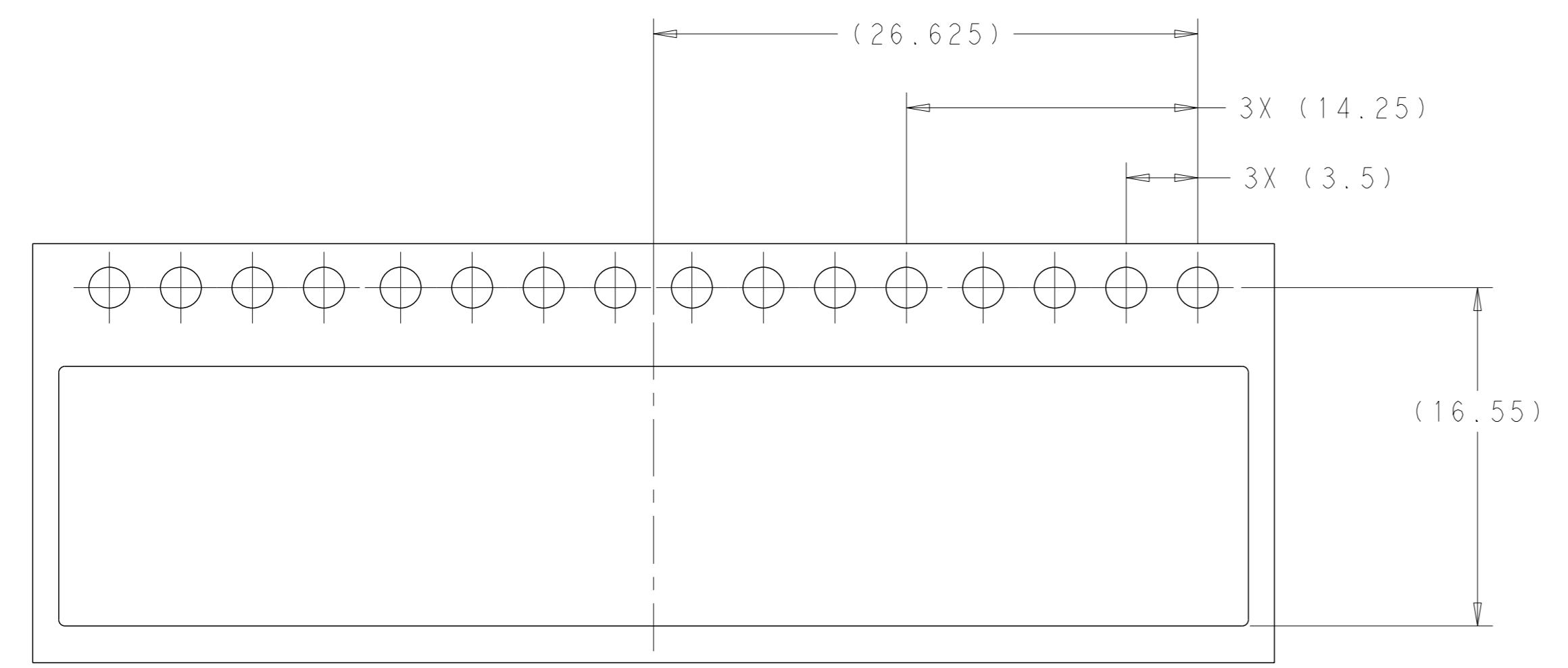
REVISIONS				
#	LY#	DESCRIPTION	DATE	OWN APVD
-	-	SEE SHEET 1	-	-



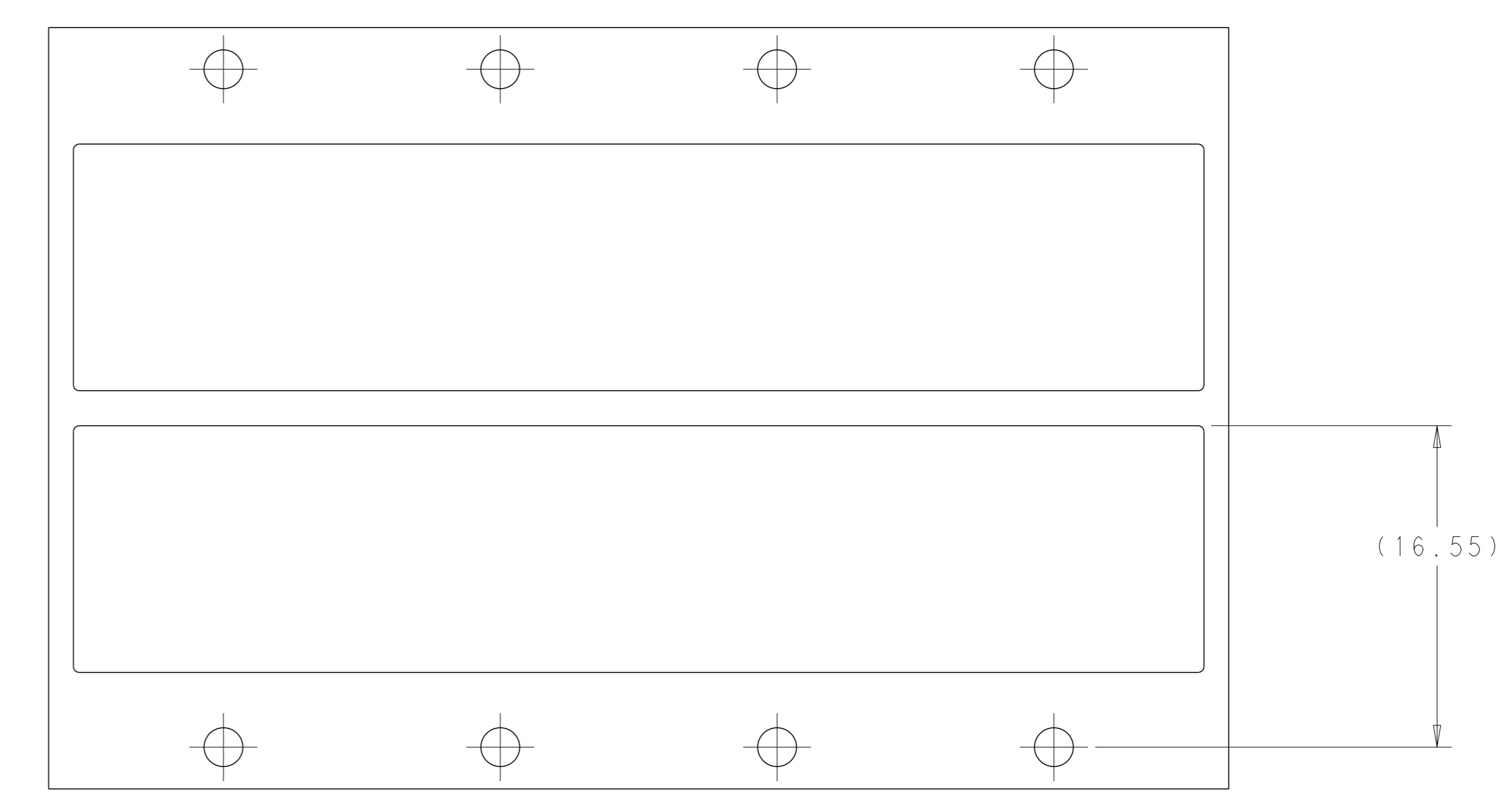
BEZEL LAYOUT FOR SINGLE LIGHT PIPE  
 SINGLE SIDED  
 SCALE 4:1



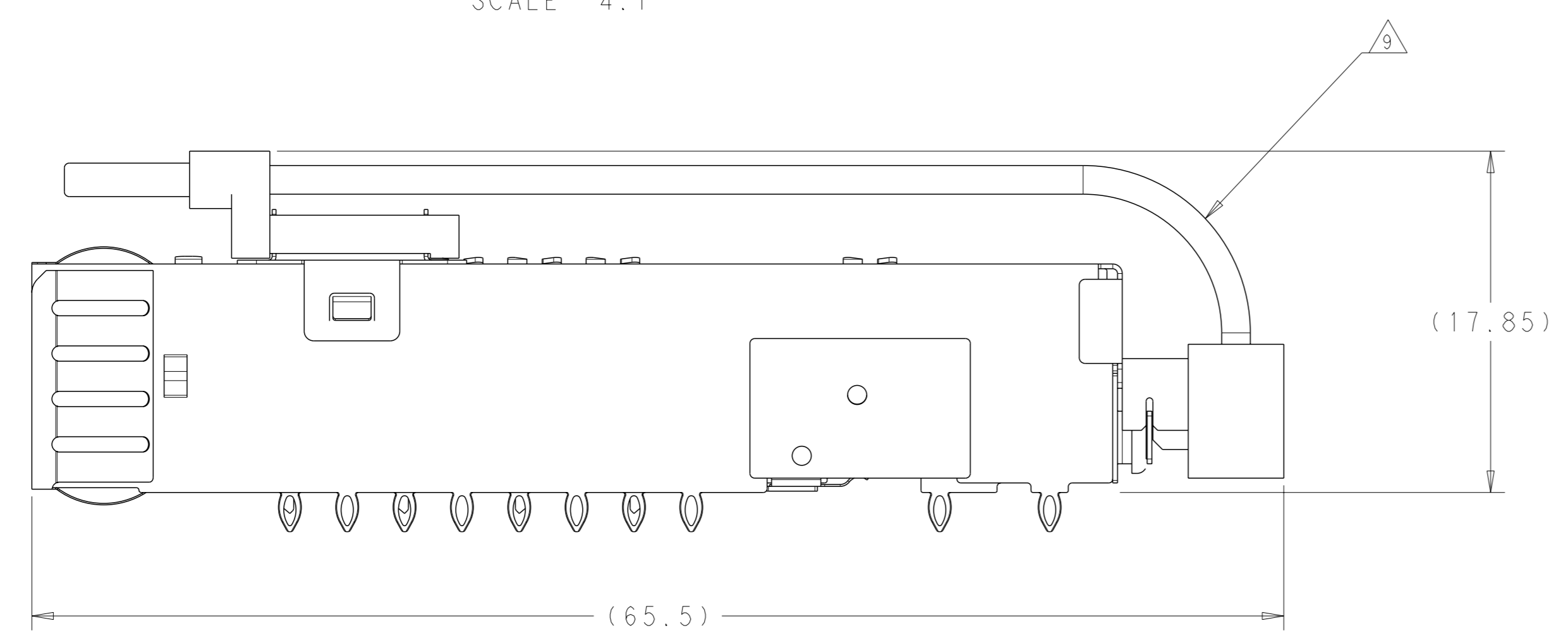
BEZEL LAYOUT FOR DOUBLE LIGHT PIPE  
 SINGLE SIDED  
 SCALE 4:1



BEZEL LAYOUT FOR QUAD LIGHT PIPES  
 SINGLE SIDED  
 SCALE 4:1



BEZEL LAYOUT FOR LIGHT PIPES  
 BELLY TO BELLY  
 SIMILAR TO SINGLE SIDED  
 EXCEPT WHERE NOTED  
 SCALE 4:1

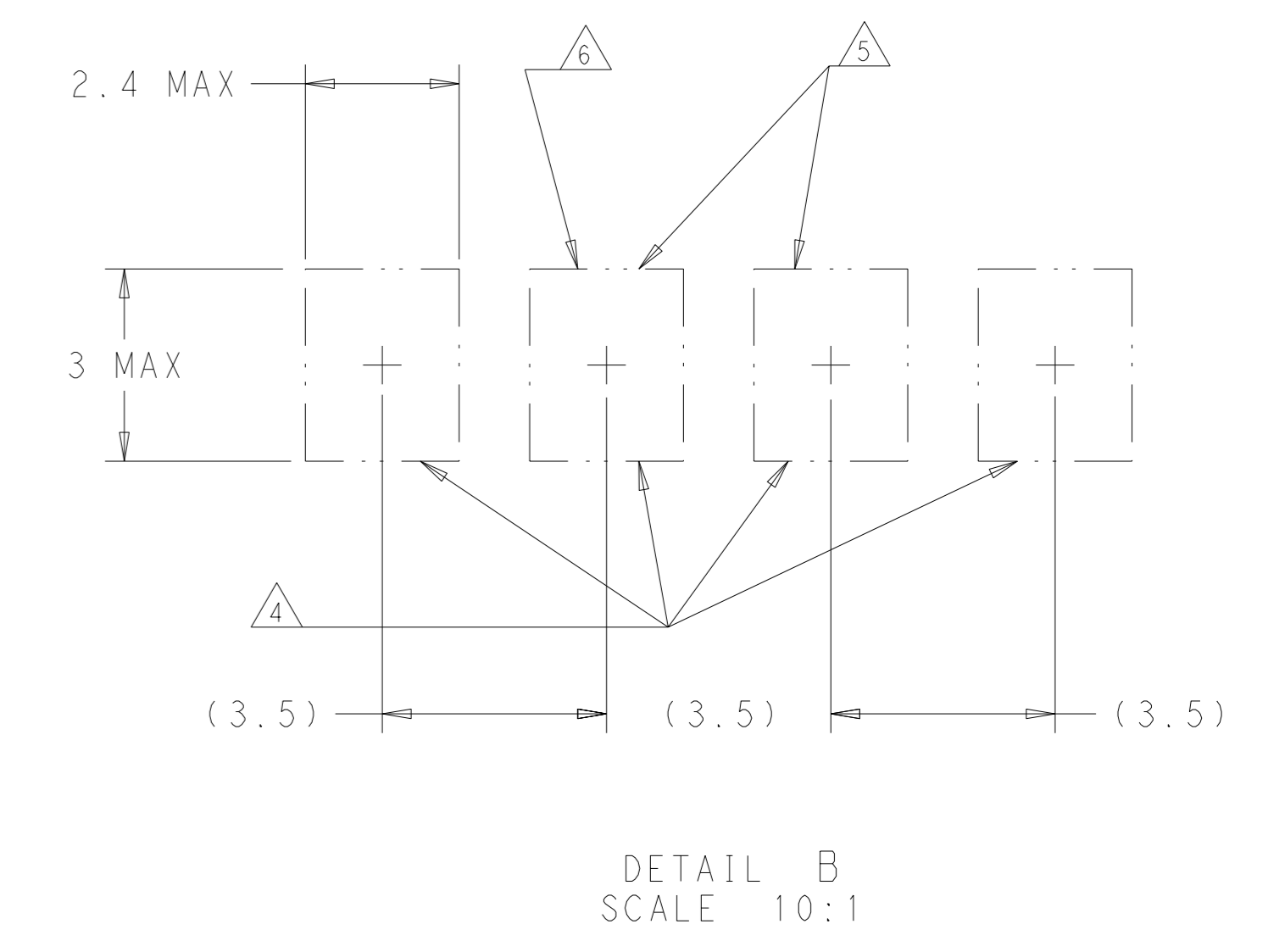
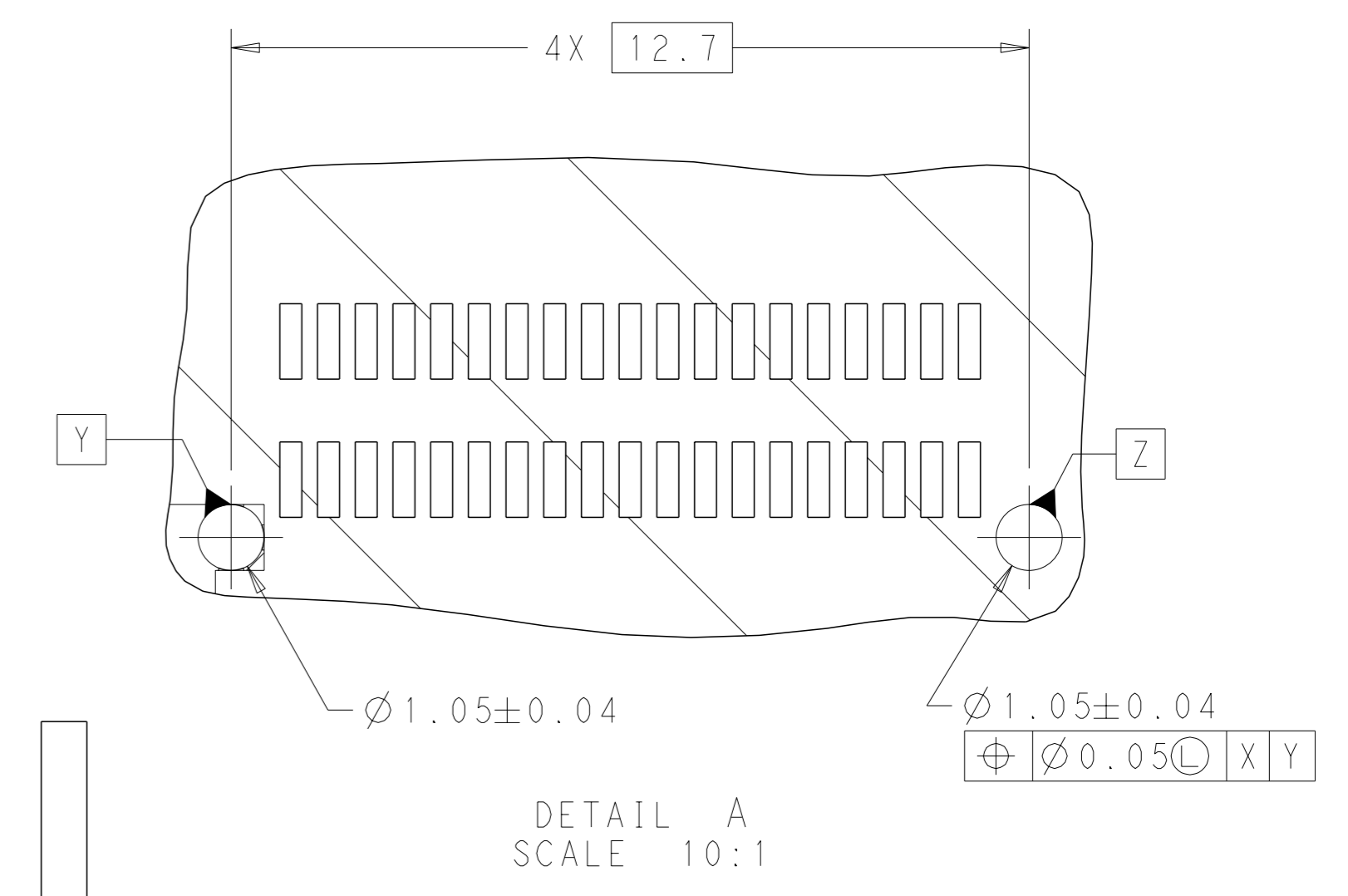
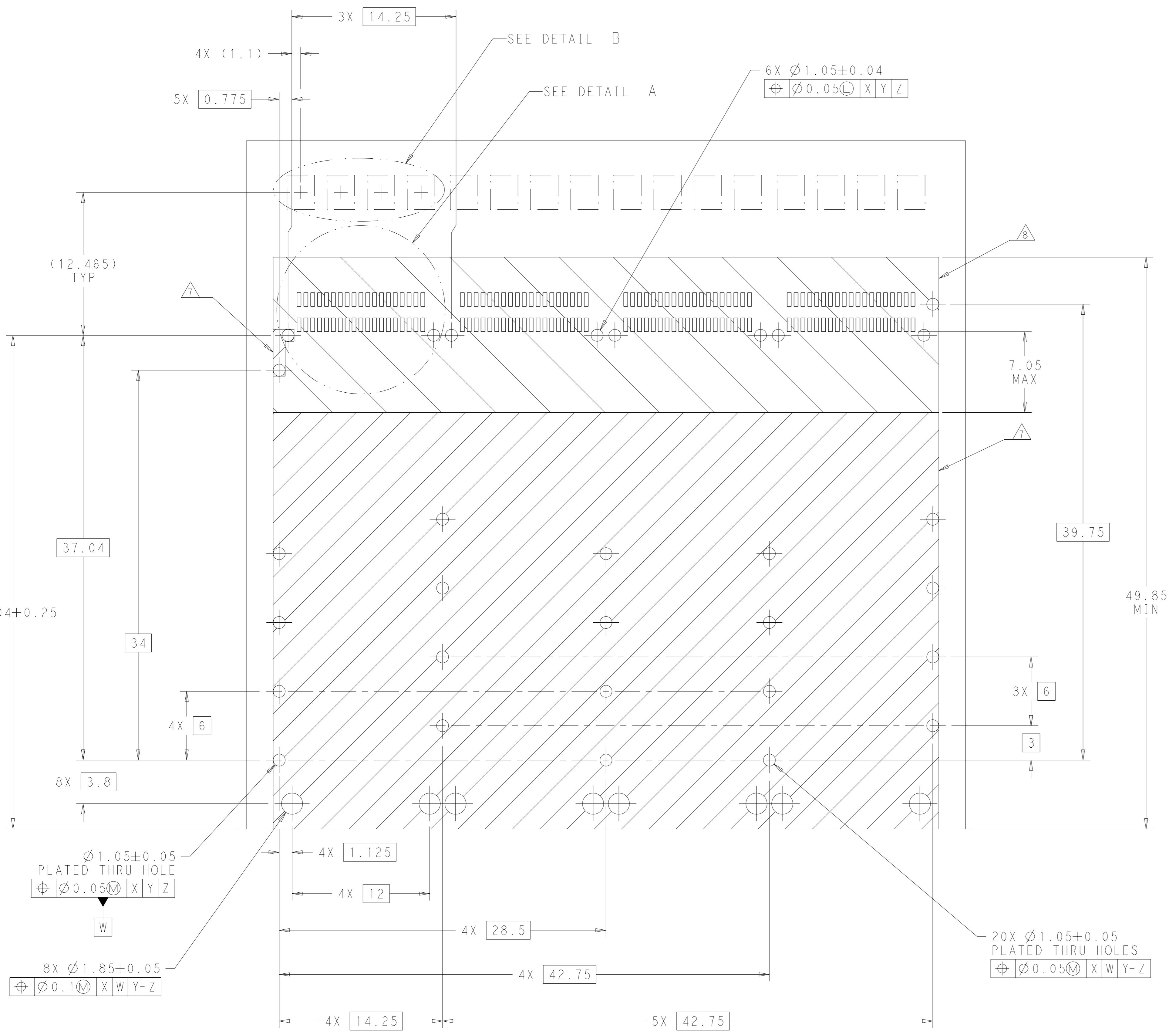


4-2297550-1  
 SCALE 4:1

THIS DRAWING IS A CONTROLLED DOCUMENT.		OWN C. VALENTINE 12JAN2016	TE Connectivity
DIMENSIONS:		CHK E. BRIANT 12JAN2016	
mm	TOLERANCES UNLESS OTHERWISE SPECIFIED:	APVD E. BRIANT 12JAN2016	NAME CAGE ASSEMBLY, 1X4, microQSFP
	0 PLC ± 1 PLC ± 2 PLC ± 3 PLC ± 4 PLC ± ANGLES ±°	PRODUCT SPEC 108-32129	RESTRICTED TO
MATERIAL	FINISH	APPLICATION SPEC 114-32151	SIZE A1
		WEIGHT	SCALE 5:1 SHEET 4 OF 6 REV A
		CUSTOMER DRAWING	

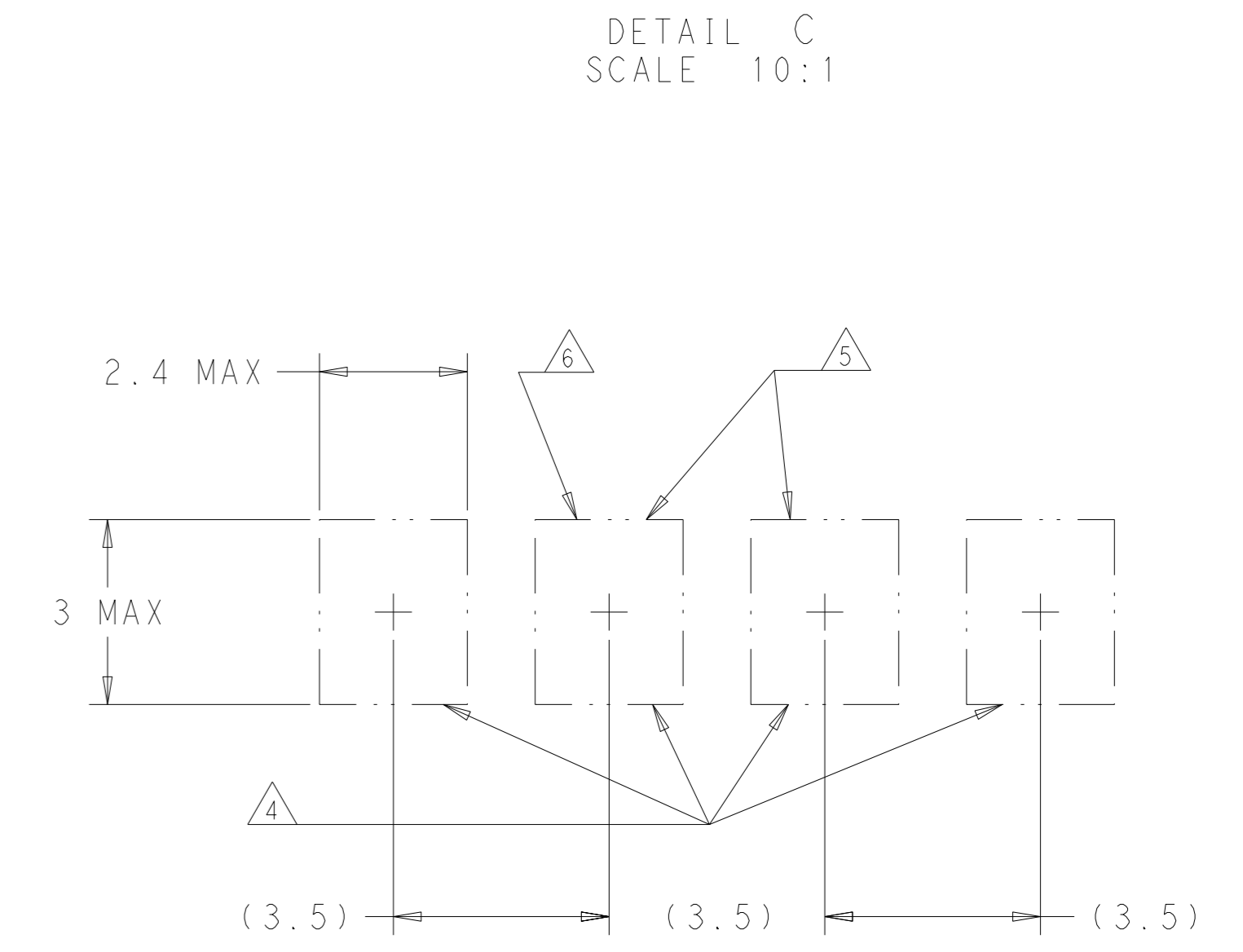
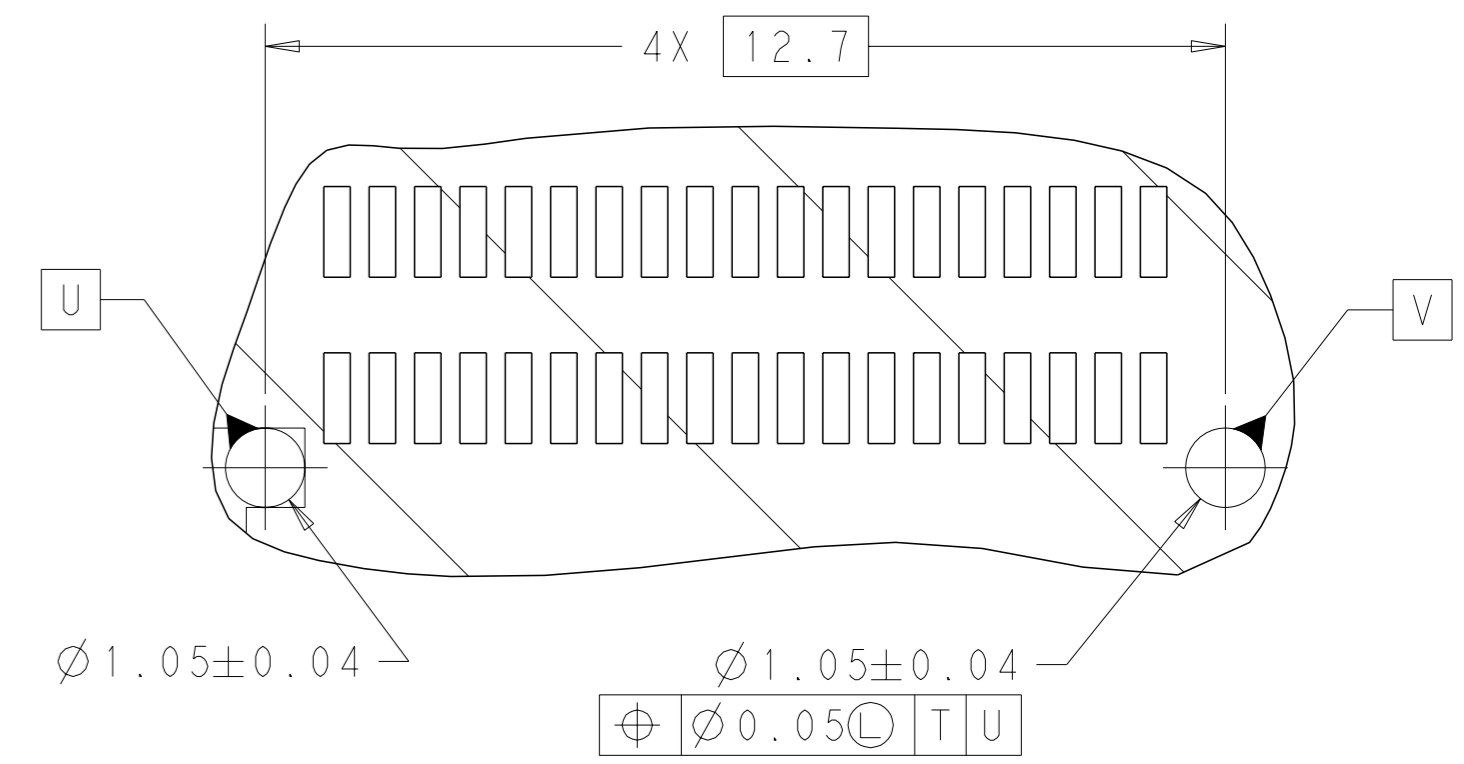
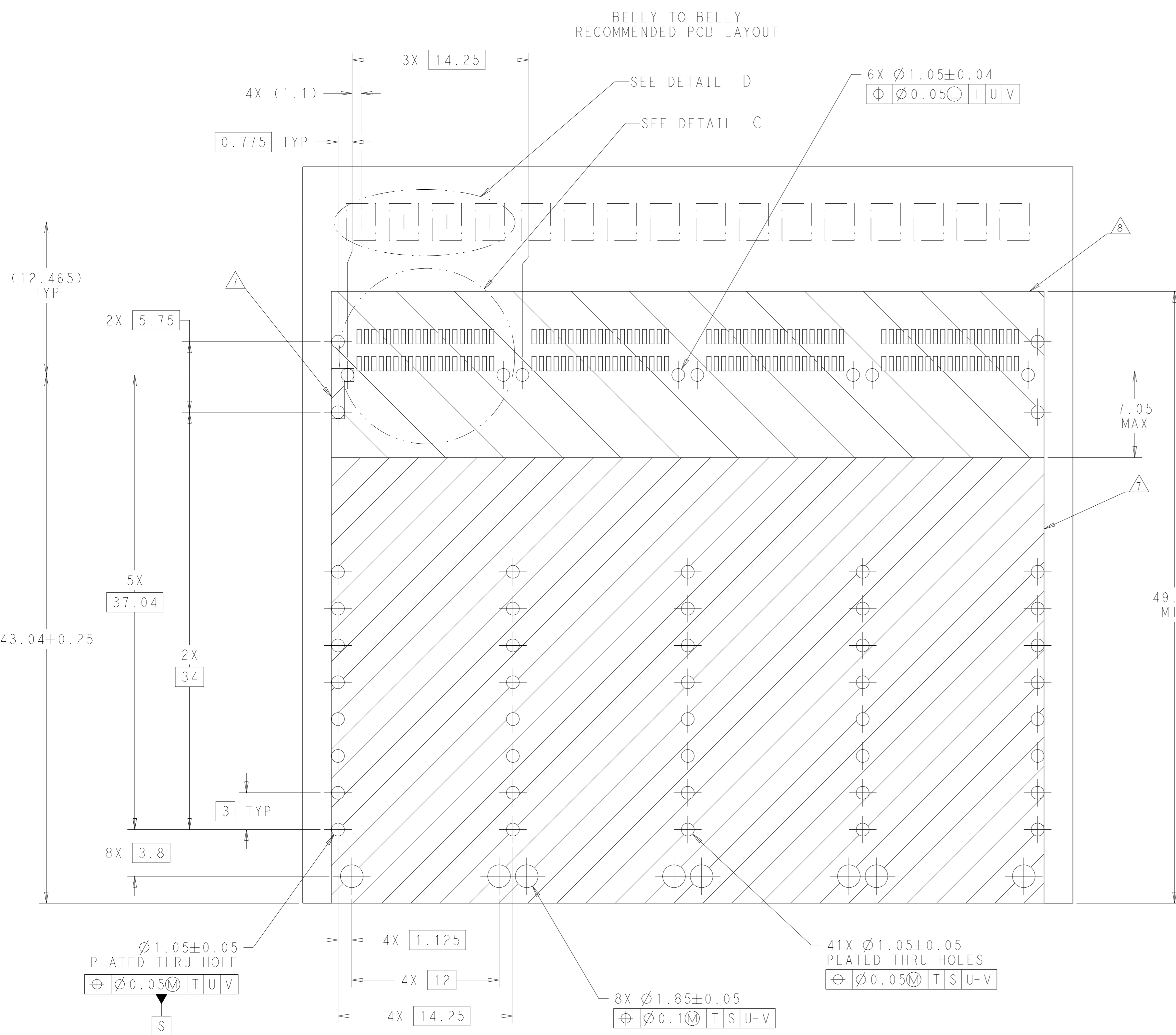
REVISIONS				
#	DATE	DESCRIPTION	OWN	APVD
-	-	SEE SHEET 1	-	-

SINGLE SIDED  
RECOMMENDED PCB LAYOUT



THIS DRAWING IS A CONTROLLED DOCUMENT.		OWN C. VALENTINE 12JAN2016	TE Connectivity	
DIMENSIONS:		CHK E. BRIANT 12JAN2016	NAME CAGE ASSEMBLY, 1X4, microQSFP	
TOLERANCES UNLESS OTHERWISE SPECIFIED:		APVD E. BRIANT 12JAN2016	PRODUCT SPEC 108-32129	
mm		APPLICATION SPEC 114-32151		SIZE A1
0 PLC ± 1 PLC ± 2 PLC ± 3 PLC ± 4 PLC ± ANGLES ±1°		WEIGHT		RESTRICTED TO
MATERIAL		CUSTOMER DRAWING		SCALE 5:1 SHEET 5 OF 6 REV A

REVISIONS				
P	LY#	DESCRIPTION	DATE	OWN
-	-	SEE SHEET 1	-	-



THIS DRAWING IS A CONTROLLED DOCUMENT.		OWN: C. VALENTINE 12JAN2016	TE Connectivity
DIMENSIONS: mm		CHK: E. BRIANT 12JAN2016	
TOLERANCES UNLESS OTHERWISE SPECIFIED:		APVD: E. BRIANT 12JAN2016	NAME: CAGE ASSEMBLY, 1X4, microQSFP
0 PLC ±	1 PLC ±	PRODUCT SPEC	108-32129
2 PLC ±	3 PLC ±	APPLICATION SPEC	114-32151
4 PLC ±	ANGLES ±1°	WEIGHT	SCALE 5:1 SHEET 6 OF 6 REV A
MATERIAL	FINISH	CUSTOMER DRAWING	SIZE: A1 CAGE CODE: 2297550

## X-ON Electronics

Largest Supplier of Electrical and Electronic Components

*Click to view similar products for [I/O Connectors](#) category:*

*Click to view products by [TE Connectivity](#) manufacturer:*

Other Similar products are found below :

[571763P](#) [58098-0628](#) [61-168618-12P](#) [D38999/20FJ24PA L/C](#) [D38999/20FJ29SB L/C](#) [D38999/24FG11SN L/C](#) [72.250.1628.2](#) [72.250.2428.2](#)  
[74720-0505](#) [747680210](#) [76.350.0729.0](#) [76871-1403](#) [FCN-244F080-G/1](#) [FCN-260A9920](#) [FCN-268D024-G/2F#10X-R10](#) [PCS-E50FA](#) [PCS-](#)  
[XE26LKA](#) [PCS-XE26MA+](#) [PCS-XES68MS+](#) [G38A71314B](#) [91-569719-35R](#) [DX40-50P\(55\)](#) [1571250010](#) [157-22500-3](#) [1888020-8](#) [91-](#)  
[569786-35H](#) [91-569786-35M](#) [91-644626-35P](#) [172501-4002](#) [172501-6002](#) [FCN-260C008-A/L0](#) [FCN-260C024-AL0](#) [FCN-261Z008](#) [FCN-](#)  
[268D008-G/1K](#) [2000314-1](#) [200331-1](#) [2007498-2](#) [PCR-E28LMDAG1+](#) [PCR-E36FC+](#) [PCS-E28FS+](#) [PCS-XE26SLFD+](#) [PCS-XE26SLFDT+](#)  
[G38A71214B](#) [HDRA-E68W1LFDTC-SL+](#) [HDR-E14MSG1+](#) [R88A-CNK81S](#) [CRT1-ATT02](#) [54182-0605](#) [U90B2054081210](#)  
[UE86K842720321](#)