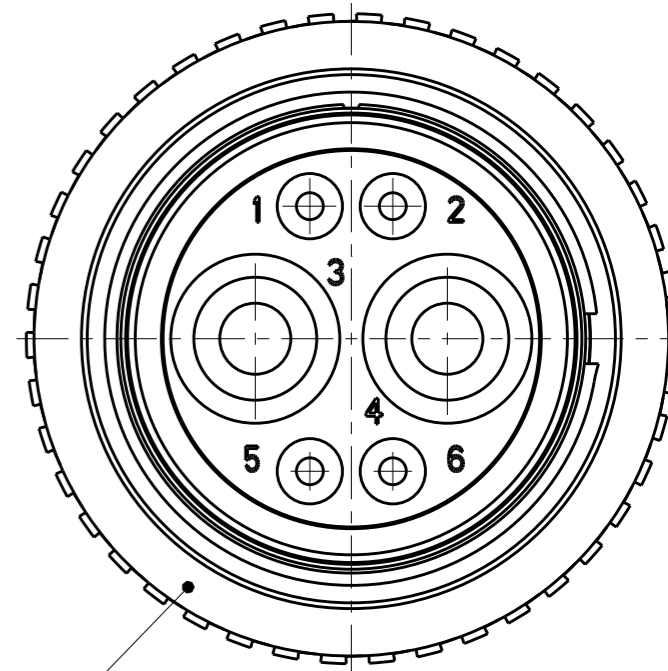
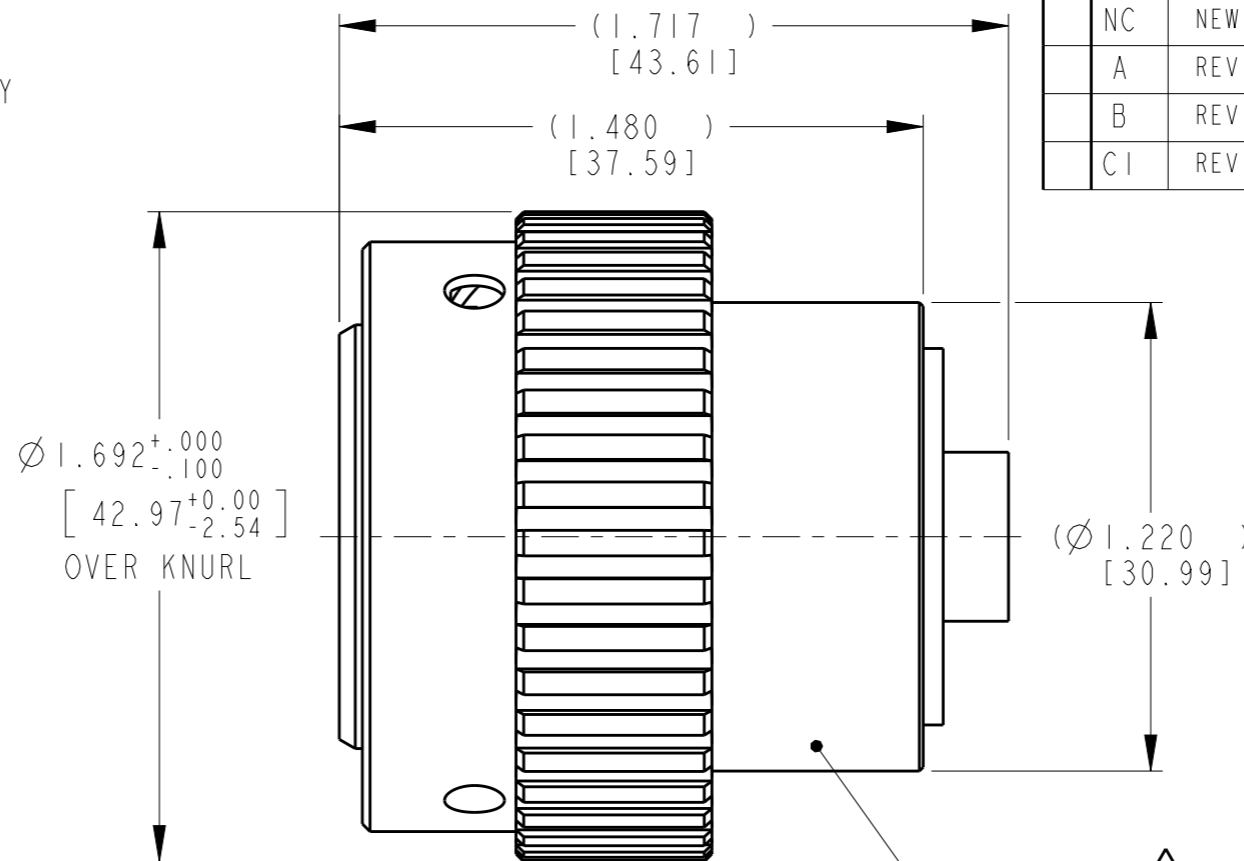
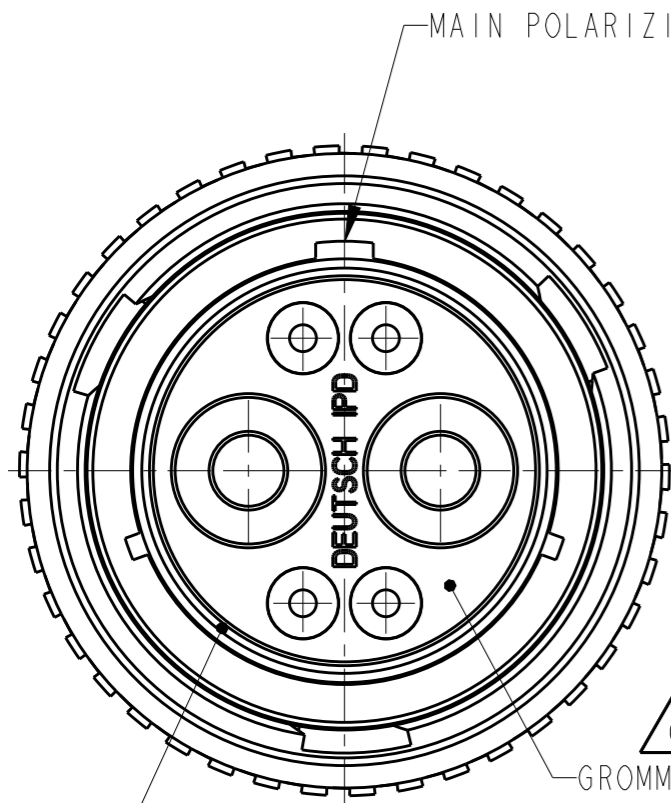


LOC	DIST	REVISIONS				
P	LTR	DESCRIPTION	DATE	DWN	APVD	
-	-	NC	NEW RELEASE PER E.O. PI7330	02AUG2001	-	RDR
		A	REVISED PER E.O. PI8713	12NOV2004	-	RDR
		B	REVISED PER E.O. PI9718	21FEB2008	-	RDR
		CI	REVISED PER ECO-15-001798	19MAR2015	VNB	DM



6 SWAGE RING

6 GROMMET

6 PLUG HOUSING

CONTACT INSERTION VIEW OF CONNECTOR

4. WHEN X = N: NORMAL SEAL  
 WHEN X = E: REDUCED DIAMETER E-SEAL

3. THIS CONNECTOR MATES WITH PART NO. HD34-18-6PX-XXXX  
 XXXX= ALL MODIFICATION, X= TYPE OF SEAL.

2. THIS CONNECTOR WILL ACCOMMODATE THE FOLLOWING WIRE INSULATION DIAMETERS:

4 SEAL TYPE	CONTACT SIZE	MIN INSULATION O.D.	MAX INSULATION O.D.	5 WIRE GAUGE AWG [mm <sup>2</sup> ] RANGE
N	16	.100 [2.54]	.134 [3.40]	14-20 [2.0-0.5mm <sup>2</sup> ]
E	16	.053 [1.35]	.120 [3.05]	14-20 [2.0-0.5mm <sup>2</sup> ]
N or E	4	.261 [6.63]	.292 [7.42]	6 [13mm <sup>2</sup> ]

6. MATERIAL:  
 PLUG HOUSING: AL 6000 SERIES  
 SWAGE RING: PA 15%GF (GREEN FOR N-SEAL, BLUE FOR E-SEAL)  
 GROMMET: SILICONE VMQ (RED)

5. FOR CONTACTS AND WIRES PERFORMANCE AND APPLICATION CHARACTERISTICS SEE ENVELOPE DWG. 0425-015-0000.

1. CONSULT FACTORY FOR ELECTRICAL AND MATERIAL SPECIFICATIONS.

NOTES:

THIS DRAWING IS A CONTROLLED DOCUMENT.

DIMENSIONS: INCHES	TOLERANCES UNLESS OTHERWISE SPECIFIED:
	0 PLC ±-
	1 PLC ±-
	2 PLC ±-
	3 PLC ±.010 [±.254]
	4 PLC ±-
	ANGLES ±° 30' 0"
MATERIAL SEE NOTE	FINISH -

DWN	02 JAN 2008
CHK	I. GRANTCHAROVA
APVD	18 FEB 2008
APVD	B. BAYFORD
APVD	S. BEARD
PRODUCT SPEC	0425-016-0000
APPLICATION SPEC	0425-015-0000
WEIGHT	51.9g
Customer Drawing	

TE Connectivity		NAME	
		PLUG CONNECTOR 18-6 ARR. BAYONET COUPLING	
SIZE	CAGE CODE	DRAWING NO	RESTRICTED TO
A3	-	HD36-18-6SX	-
SCALE 2:1		SHEET 1 OF 1	REV CI

## X-ON Electronics

Largest Supplier of Electrical and Electronic Components

*Click to view similar products for [Automotive Connectors](#) category:*

*Click to view products by [TE Connectivity](#) manufacturer:*

Other Similar products are found below :

[003-018-000](#) [600858](#) [60403001](#) [60993906-B](#) [60993913-B](#) [629515004020001](#) [M902-2131](#) [M902-2161](#) [M902-2344](#) [72.330.1035.1](#)  
[73.353.4028.0](#) [F118010](#) [F119300-B](#) [F132210](#) [F132210-B](#) [F166900](#) [F180100](#) [F258300](#) [F258300-B](#) [F294300-B](#) [F339100](#) [F339700](#) [F358300-](#)  
[B](#) [F374110](#) [F407400](#) [F412210](#) [F427600](#) [F444110](#) [F487000](#) [F495100-B](#) [F500900-B](#) [F509500B-B](#) [770444-1](#) [776880-1](#) [827153-1](#) [881735-1](#)  
[8N1515-32-24P](#) [9-1326727-8](#) [9-1326729-8](#) [925467-1](#) [925474-1](#) [928905-1](#) [936398-2](#) [964562-1](#) [964562-4](#) [964731-2](#) [965051-1](#) [968782-1](#)  
[GT17SA-8DS-HU](#) [GT17VS-10DP-5.2CF](#)