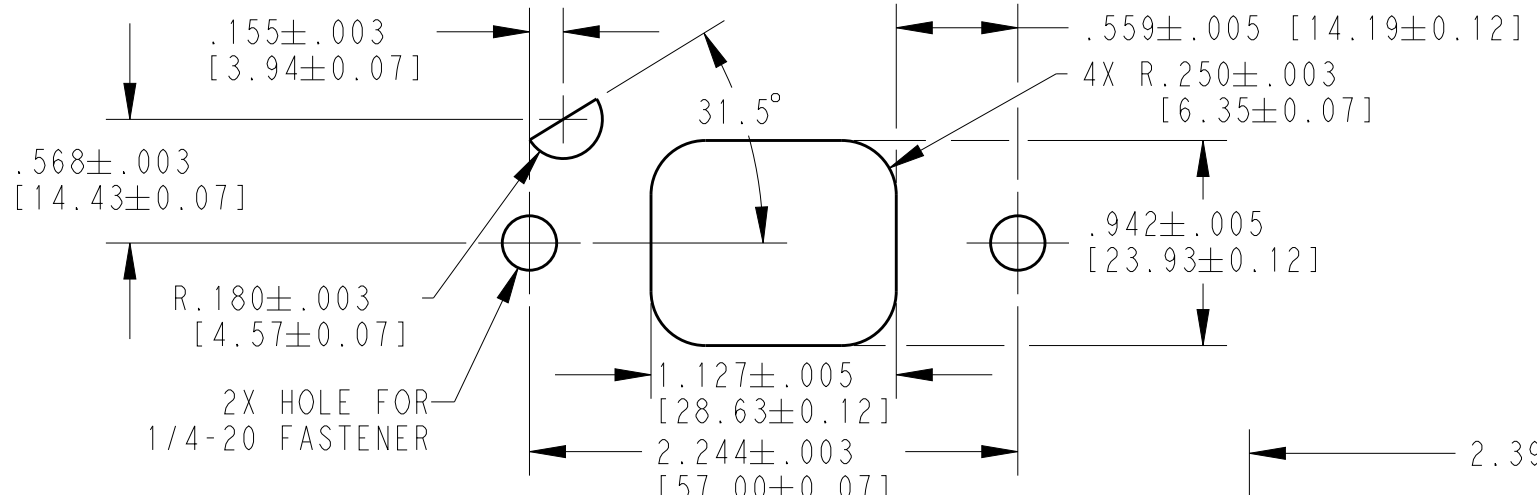


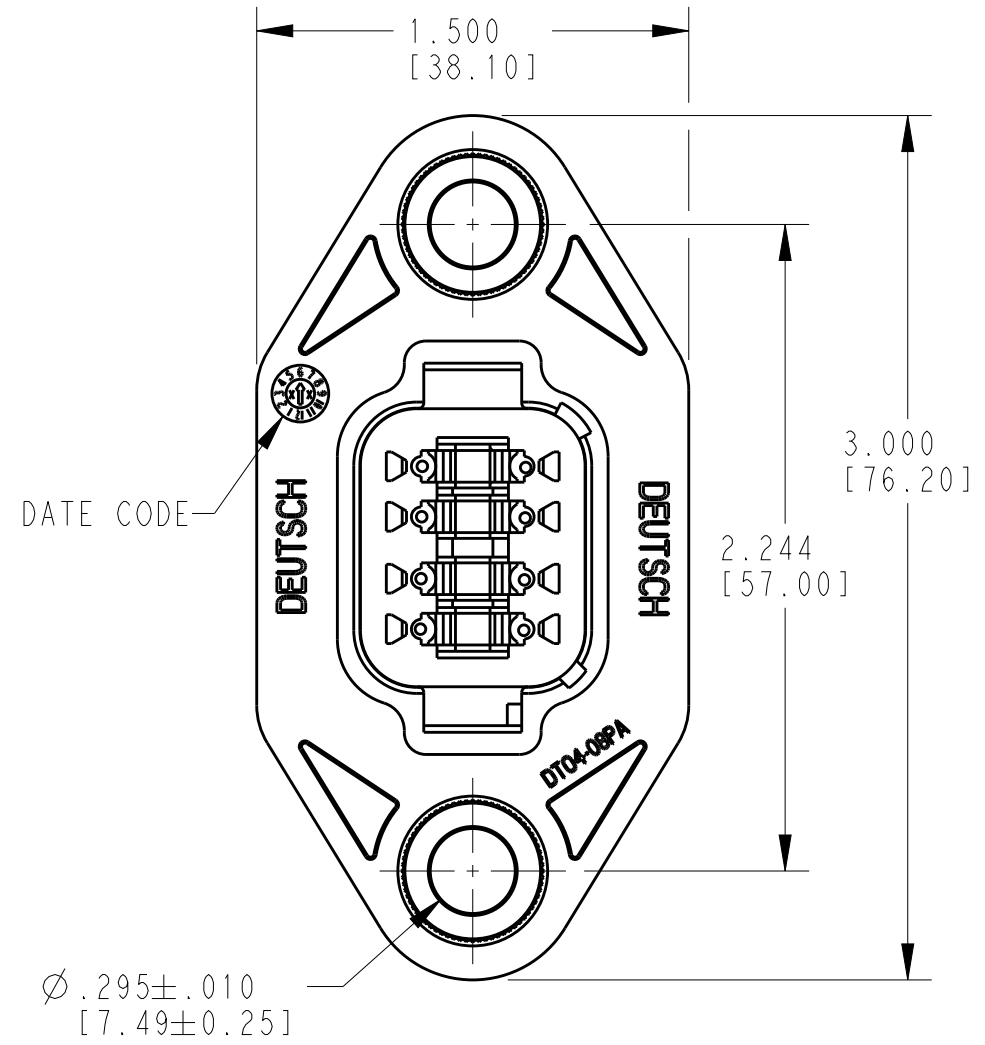
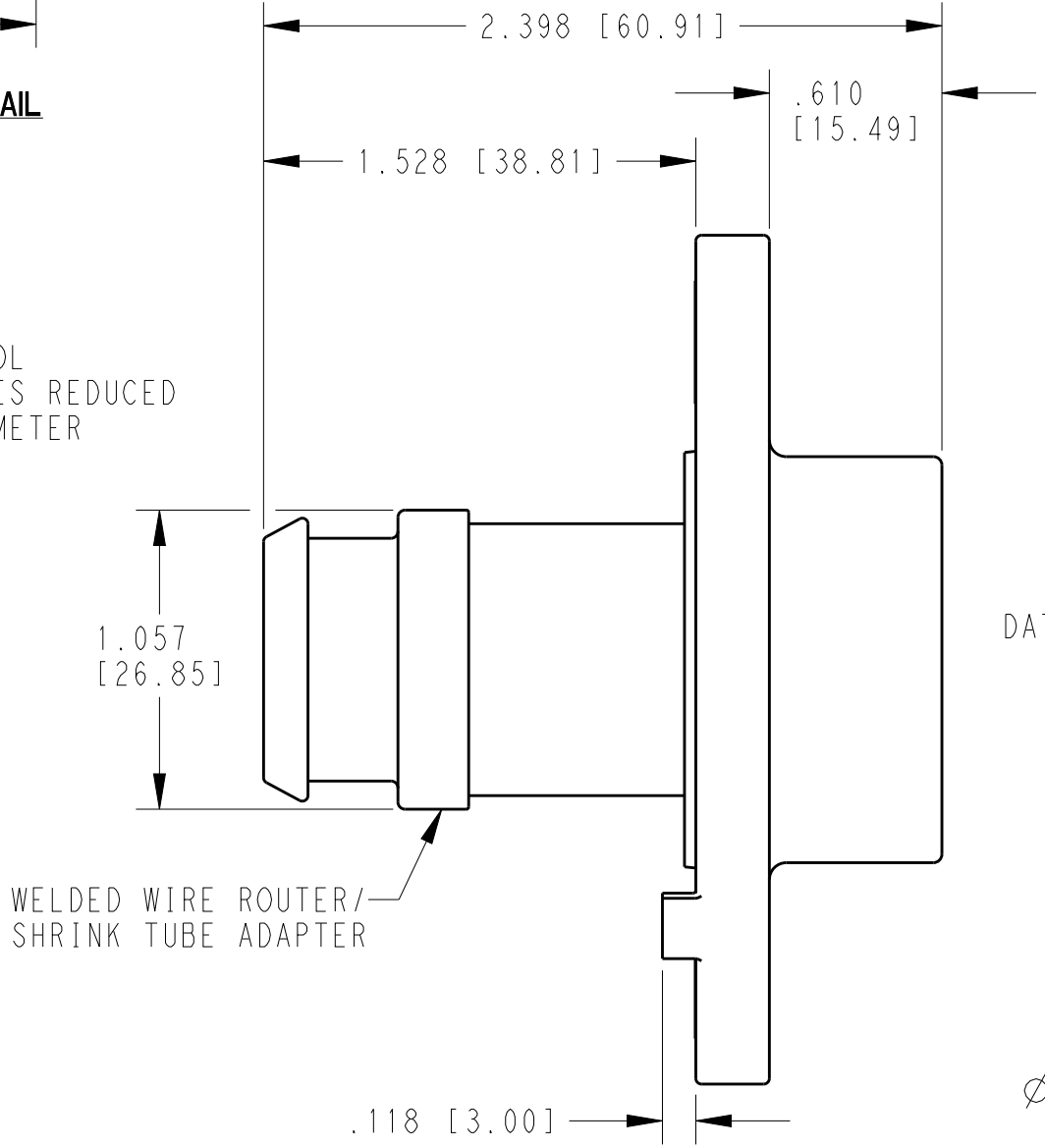
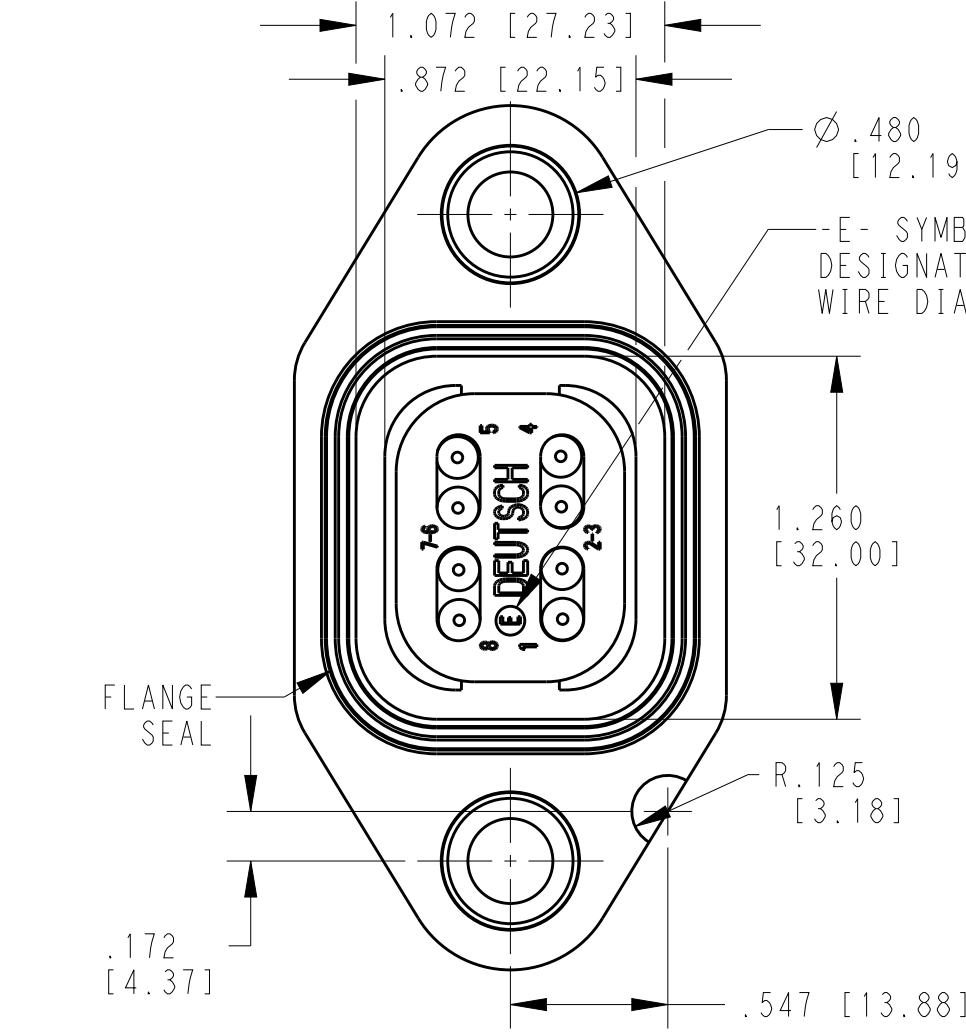
THIS DRAWING IS UNPUBLISHED  
RELEASED FOR PUBLICATION 2014  
© COPYRIGHT 2001 BY TE CONNECTIVITY ALL RIGHTS RESERVED.

| LOC | DIST | REVISIONS                 |           |     |      |
|-----|------|---------------------------|-----------|-----|------|
| P   | LTR  | DESCRIPTION               | DATE      | DWN | APVD |
|     | A    | REVISED PER E.O. PI8682   | 20SEP2004 | RM  | RDR  |
|     | B    | REVISED PER E.O. P20338   | 05NOV2009 | RM  | RDR  |
|     | C    | REVISED PER E.O. P20483   | 28MAY2010 | RM  | RDR  |
|     | CI   | REVISED PER ECO-14-016535 | 31OCT2014 | JA  | DM   |



| CONTACT SIZE | MIN. INSUL O.D. | MAX. INSUL O.D. | WIRE RANGE [mm <sup>2</sup> ] REF. ONLY |
|--------------|-----------------|-----------------|---|
| 16           | .053 [1.35]     | .120 [3.05]     | 14-20 AWG [2.0-0.5]                     |

RECOMMENDED MOUNTING DETAIL



3 MATERIAL: SHELL: NYLON 6/6 15% GF; SEALS: SILICONE.

2. THIS RECEPTACLE MATES WITH DT06-08SA-XXXX PLUG. (XXXX = ALL MODIFICATIONS). CONSULT FACTORY FOR ALL MODIFICATIONS.

1 FOR CONTACTS AND WIRE PERFORMANCE AND APPLICATION CHARACTERISTICS, SEE ENVELOPE DRAWINGS 0425-015-0000 AND 0425-017-0000.

NOTES:

|  |  |                                    |  |  |  |
|--|--|------------------------------------|--|--|--|
| THIS DRAWING IS A CONTROLLED DOCUMENT. |  | DWN 04JUN2001<br>TESFU YOHANNES    |  | TE Connectivity  |  |
| DIMENSIONS:<br>INCHES [mm]             |  | CHK 31OCT2014<br>RUSSELL MESSENGER |  |  |  |
| TOLERANCES UNLESS OTHERWISE SPECIFIED: |  | APVD 31OCT2014<br>DAVID MEYER      |  | NAME<br>RECEPTACLE 8 WAY<br>FLANGED CONNECTOR -CL07 MOD<br>DT SERIES |  |
| 0 PLC ±                                |  | PRODUCT SPEC 1                     |  | SIZE<br>A3   |  |
| 1 PLC ±                                |  | APPLICATION SPEC 1                 |  | CAGE CODE<br>4AFU8   |  |
| 2 PLC ±                                |  | WEIGHT<br>44.95g                   |  | DRAWING NO<br>DT04-08PA-CL07   |  |
| 3 PLC ±.025 [0.64]                     |  | Customer Drawing                   |  | RESTRICTED TO<br>GEN   |  |
| 4 PLC ±                                |  | SCALE<br>3:2                       |  | SHEET<br>1 OF 1  |  |
| ANGLES ±0°30'0"                        |  | REV<br>C1                          |  |  |  |
| MATERIAL 3                             |  |                                    |  |  |  |
| FINISH                                 |  |                                    |  |  |  |

## X-ON Electronics

Largest Supplier of Electrical and Electronic Components

*Click to view similar products for [Automotive Connectors](#) category:*

*Click to view products by [TE Connectivity](#) manufacturer:*

Other Similar products are found below :

[003-018-000](#) [600858](#) [60403001](#) [60993906-B](#) [60993913-B](#) [629515004020001](#) [M902-2131](#) [M902-2161](#) [M902-2344](#) [72.330.1035.1](#)  
[73.353.4028.0](#) [F118010](#) [F119300-B](#) [F132210](#) [F132210-B](#) [F166900](#) [F180100](#) [F258300](#) [F258300-B](#) [F294300-B](#) [F339100](#) [F339700](#) [F358300-](#)  
[B](#) [F374110](#) [F407400](#) [F412210](#) [F427600](#) [F444110](#) [F487000](#) [F495100-B](#) [F500900-B](#) [F509500B-B](#) [770444-1](#) [776880-1](#) [827153-1](#) [881735-1](#)  
[8N1515-32-24P](#) [9-1326727-8](#) [9-1326729-8](#) [925467-1](#) [925474-1](#) [928905-1](#) [936398-2](#) [964562-1](#) [964562-4](#) [964731-2](#) [965051-1](#) [968782-1](#)  
[GT17SA-8DS-HU](#) [GT17VS-10DP-5.2CF](#)