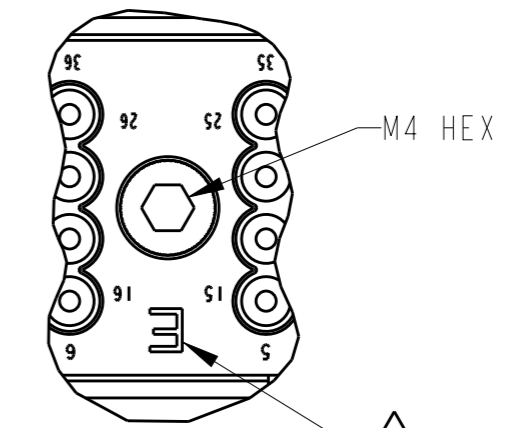
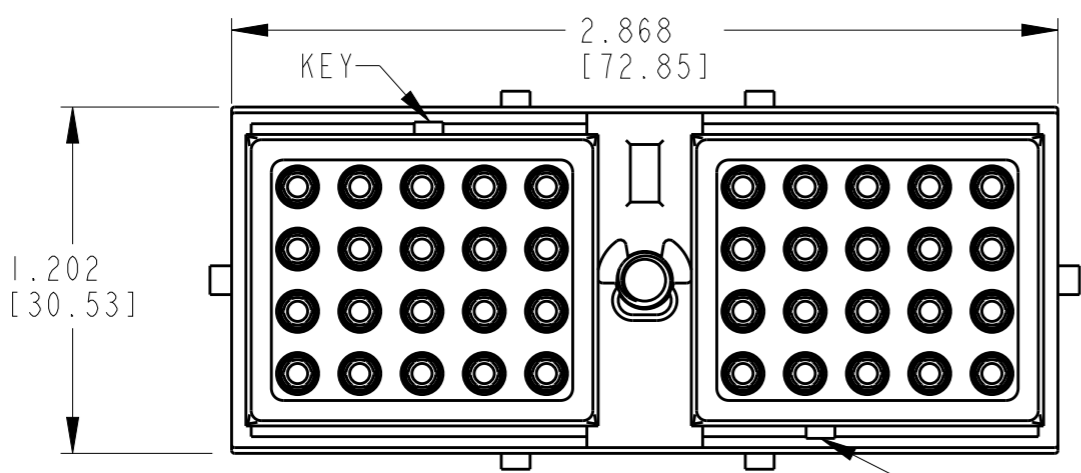


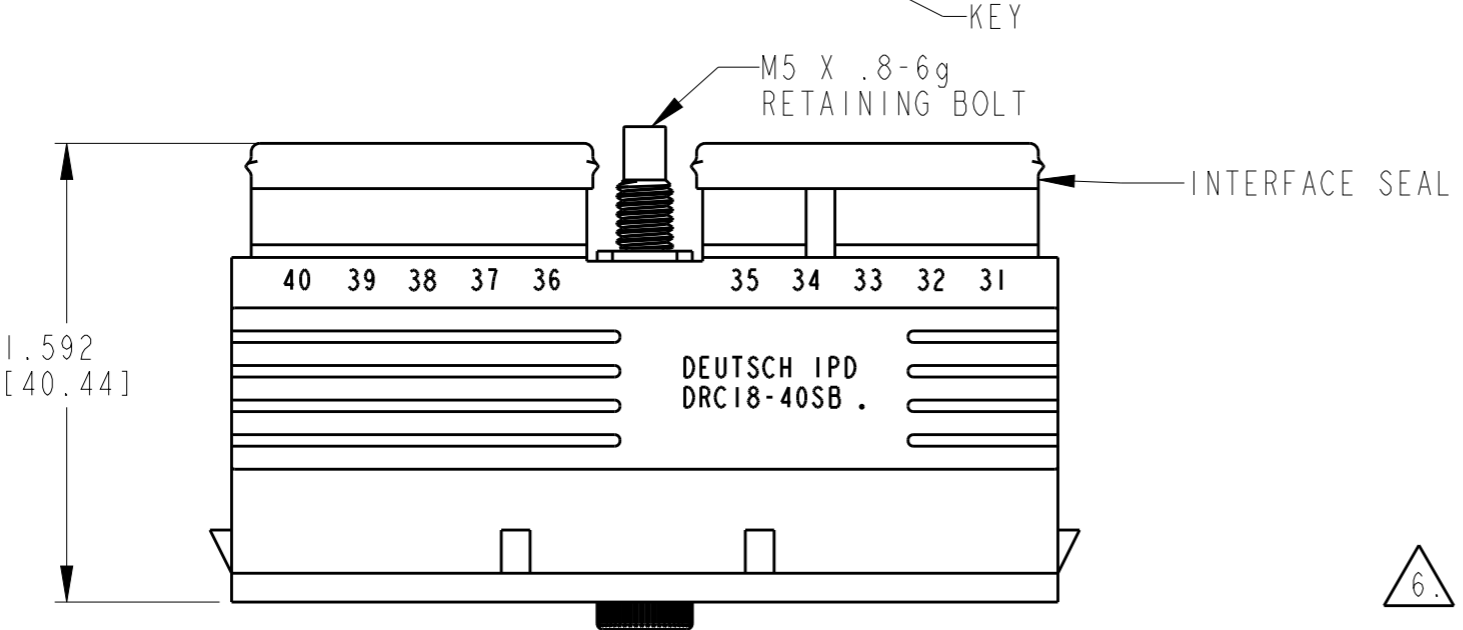
THIS DRAWING IS UNPUBLISHED. RELEASED FOR PUBLICATION 2017  
 © COPYRIGHT 2017 BY -TE CONNECTIVITY ALL RIGHTS RESERVED.

REVISIONS					
P	LTR	DESCRIPTION	DATE	DWN	APVD
	C	REVISED PER PCN E-17-013177	13JUN2017	SS	DM

SEAL TYPE	CONTACT SIZE	MIN. INSUL. OD [mm]	MAX. INSUL. OD [mm]	WIRE RANGE [mm <sup>2</sup> ] REF ONLY
4	NORMAL	.100 [2.540]	.134 [3.404]	14-18 AWG [2.0-.75]
E	16	.053 [1.346]	.120 [3.048]	14-20 AWG [2.0-0.50]



**TOP VIEW**



TE INTERNAL PN	DEUTSCH PN
DRC18-40SB	DRC18-40SB
DRC18-40SBE	DRC18-40SBE

6. MATERIAL: PLUG: PPS GF40(BLACK)  
 SEAL/GROMMET: VMQ(RED-ORANGE)  
 CLIP: STEEL, UNPLATED  
 BOLD: STAINLESS STEEL WITH SILVER PLATING AN MAY TARNISH.

5. MATING TORQUE REQUIREMENT: 25-28 IN-LB [2.82-3.16 Nm].

4. WHEN X = E: MARK LETTER "E" STAMPING IDENTIFIES "E" SEAL.  
 WHEN X = BLANK: IDENTIFIES "NORMAL" WIRE SEAL (NOT SHOWN).

3. THIS PLUG MATES WITH DRC12-40PBX-XXXX; DRC13-40PB-XXXX;  
 DRC14-40PBX-XXXX (XXXX=ALL MODIFICATIONS).  
 CONSULT FACTORY FOR MODS.

2. FOR CONTACTS AND WIRE PERFORMANCE AND APPLICATION  
 CHARACTERISTICS, SEE ENVELOPE DRAWING 0425-015-0000.

1. PLUG IS SUPPLIED WITH DUST CAP, 0515-001-4005 (NOT SHOWN).

NOTES:

THIS DRAWING IS A CONTROLLED DOCUMENT.		DWN J. APOSTOL 13JUL2000	TE Connectivity	
DIMENSIONS: INCHES [mm]		CHK D. MEYER 21JUL2000		
TOLERANCES UNLESS OTHERWISE SPECIFIED:		APVD R. REED 21JUL2000	NAME PLUG KEY ARRANGEMENT -B- SERVICEABLE CONTACTS DRC 40 SERIES	
0 PLC ± 1 PLC ± 2 PLC ± 3 PLC ±.025 [.635] 4 PLC ± ANGLES ±0°30'0"		PRODUCT SPEC -	SIZE A3 CAGE CODE 4AFU8 DRAWING NO. DRC18-40SBX RESTRICTED TO -	
MATERIAL 6		APPLICATION SPEC -	SCALE 1.5:1 SHEET 1 OF 1 REV C	
FINISH -		WEIGHT -	CUSTOMER DRAWING	

## X-ON Electronics

Largest Supplier of Electrical and Electronic Components

*Click to view similar products for [Automotive Connectors](#) category:*

*Click to view products by [TE Connectivity](#) manufacturer:*

Other Similar products are found below :

[003-018-000](#) [600858](#) [60403001](#) [60993906-B](#) [60993913-B](#) [629515004020001](#) [M902-2131](#) [M902-2161](#) [M902-2344](#) [72.330.1035.1](#)  
[73.353.4028.0](#) [F118010](#) [F119300-B](#) [F132210](#) [F132210-B](#) [F166900](#) [F180100](#) [F258300](#) [F258300-B](#) [F294300-B](#) [F339100](#) [F339700](#) [F358300-](#)  
[B](#) [F374110](#) [F407400](#) [F412210](#) [F427600](#) [F444110](#) [F487000](#) [F495100-B](#) [F500900-B](#) [F509500B-B](#) [770444-1](#) [776880-1](#) [827153-1](#) [881735-1](#)  
[8N1515-32-24P](#) [9-1326727-8](#) [9-1326729-8](#) [925467-1](#) [925474-1](#) [928905-1](#) [936398-2](#) [964562-1](#) [964562-4](#) [964731-2](#) [965051-1](#) [968782-1](#)  
[GT17SA-8DS-HU](#) [GT17VS-10DP-5.2CF](#)