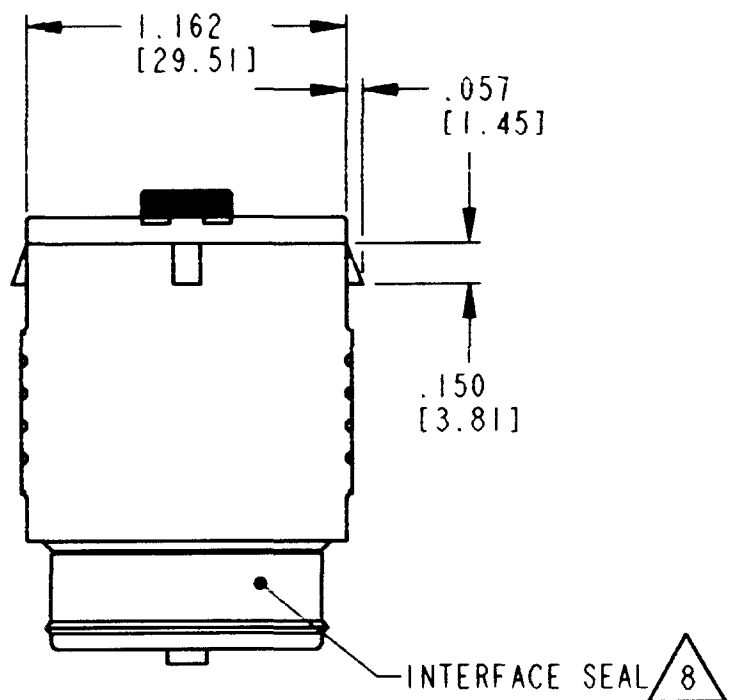


REV B	DRC16-40S-P013	REVISIONS		
SYM	DESCRIPTION	DATE	APPROVED	
NC	NEW RELEASE PER E.O. P15136	11-15-96	R.D.R.	
A	REVISED PER E.O. P17728	4-15-02	R.D.R.	
B	REVISED PER E.O. P19166	2-21-06	RDR	



- 7. MATERIAL- PLUG: PLASTIC (BLACK); SEAL/GROMMET: RUBBER; BOLT/CLIP: STEEL.
- 6. MATING TORQUE REQUIREMENT: 25-28 in-lb (2.82-3.16 Nm).
- 5. THIS PLUG MATES WITH DRC10-40P-\*\*\*\*; DRC12-40P\*E-\*\*\*\*; DRC13-40P\*-\*\*\*\*; DRC14-40P\*E-\*\*\*\*. CONSULT FACTORY FOR MODIFICATIONS.  
\* = A, B, C, D KEYS  
\*\*\*\* = MODIFICATIONS

CONTACT SIZE	MIN. INSUL. OD [mm]	MAX. INSUL. OD [mm]	WIRE RANGE [mm <sup>2</sup> ] REF ONLY
16	.100 [2.54]	.134 [3.40]	14-18 AWG [2.0-.75]

△ FOR CONTACTS AND WIRE PERFORMANCE AND APPLICATION CHARACTERISTICS, SEE ENVELOPE DRAWING 0425-015-0000.

- 3. PLUG SUPPLIED WITH DUST CAP. (NOT SHOWN).
  - 2. DIMENSION TOLERANCE: ±.025 [.635].
  - 1. DIMENSIONS ARE IN INCHES [mm].
- NOTES:

△ 8. PART MODIFICATION: INTERFACE SEAL IS BONDED TO PLUG HOUSING.

SIGNATURE & DATE		<b>PLUG</b> <b>40 SIZE 16</b> <b>-P013 MOD</b> <b>DRC SERIES</b>	CP	MATL. CODE
DR	D. MEYER 04/12/02		<b>The Deutch Company</b> DEUTSCH I.P.D. 3850 INDUSTRIAL AVE. HEMET, CALIF. 92545	
CHK	<i>[Signature]</i> 2/14/06		<b>B DRC16-40S-P013</b>	
PE	<i>[Signature]</i> 2/14/06		DWG SIZE	CODE 11139
APPD	R. Road 2-21-06		SHEET   OF	
SCALE	NONE	WT	ENVELOPE	

## X-ON Electronics

Largest Supplier of Electrical and Electronic Components

*Click to view similar products for [Automotive Connectors](#) category:*

*Click to view products by [TE Connectivity](#) manufacturer:*

Other Similar products are found below :

[003-018-000](#) [600858](#) [60403001](#) [60993906-B](#) [60993913-B](#) [629515004020001](#) [M902-2131](#) [M902-2161](#) [M902-2344](#) [72.330.1035.1](#)  
[73.353.4028.0](#) [F118010](#) [F119300-B](#) [F132210](#) [F132210-B](#) [F166900](#) [F180100](#) [F258300](#) [F258300-B](#) [F294300-B](#) [F339100](#) [F339700](#) [F358300-](#)  
[B](#) [F374110](#) [F407400](#) [F412210](#) [F427600](#) [F444110](#) [F487000](#) [F495100-B](#) [F500900-B](#) [F509500B-B](#) [770444-1](#) [776880-1](#) [827153-1](#) [881735-1](#)  
[8N1515-32-24P](#) [9-1326727-8](#) [9-1326729-8](#) [925467-1](#) [925474-1](#) [928905-1](#) [936398-2](#) [964562-1](#) [964562-4](#) [964731-2](#) [965051-1](#) [968782-1](#)  
[GT17SA-8DS-HU](#) [GT17VS-10DP-5.2CF](#)