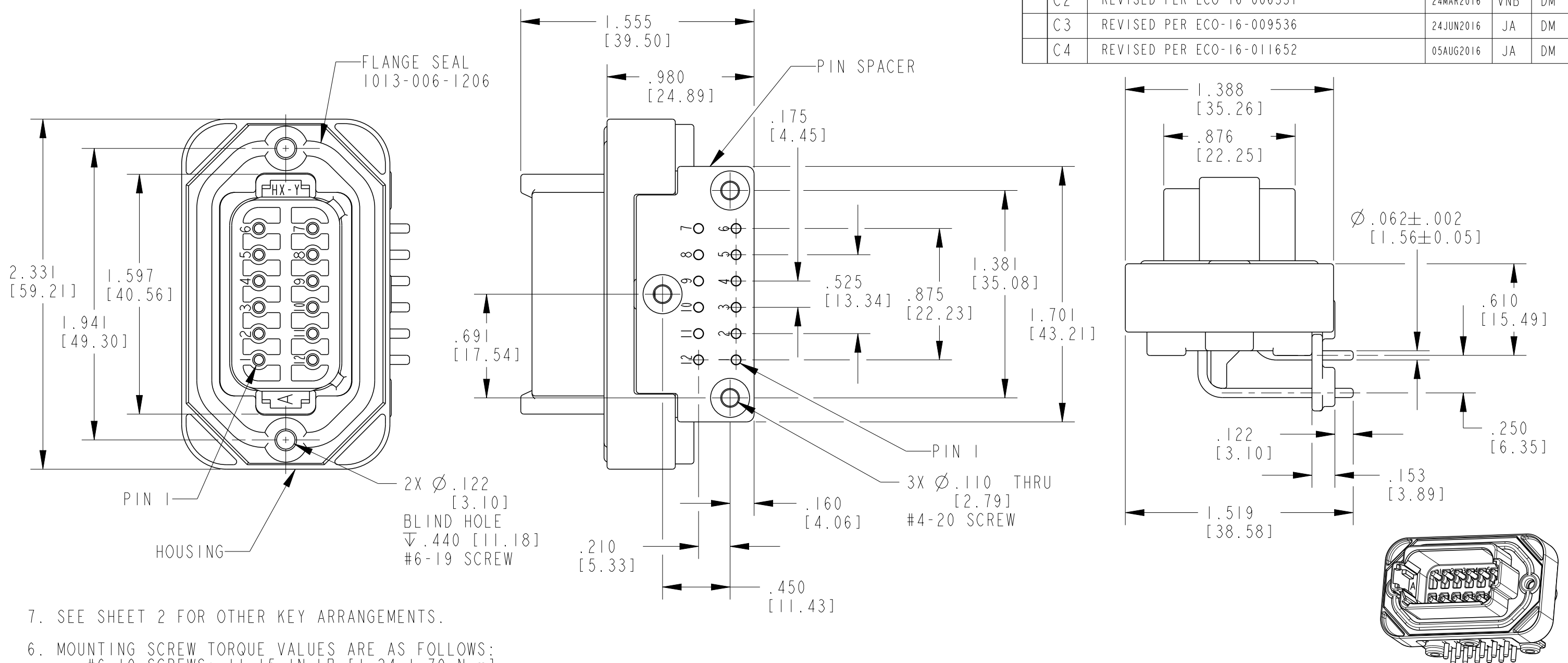


LOC	DIST	REVISIONS			
P	LTR	DESCRIPTION	DATE	DWN	APVD
-	-	C1	REVISED PER ECO-14-010107	03JUL2014	JA DM
-	-	C2	REVISED PER ECO-16-006331	24MAR2016	VNB DM
-	-	C3	REVISED PER ECO-16-009536	24JUN2016	JA DM
-	-	C4	REVISED PER ECO-16-011652	05AUG2016	JA DM



7. SEE SHEET 2 FOR OTHER KEY ARRANGEMENTS.
6. MOUNTING SCREW TORQUE VALUES ARE AS FOLLOWS:
 #6-19 SCREWS: 11-15 IN-LB [1.24-1.70 N-m].
 #4-20 SCREWS: 6-10 IN-LB [.68-1.13 N-m].
 VALUES VALID FOR PLASTITE 48 SCREWS ONLY.
5. RECOMMENDED MOUNTING SCREWS (NOT INCLUDED): CAMCAR PLASTITE 48, SINGLE HELIX.
4. THIS RECEPTACLE MATES WITH DT06-12SX PLUG (X = A,B,C,D KEYS, XXXX = ALL MODIFICATIONS).
3. CONTACT PLATING - MATING SIDE: NICKEL; PCB SIDE: TIN

TE INTERNAL PN	DEUTSCH PN
DT13-12PA	DT13-12PA
DT13-12PB	DT13-12PB
DT13-12PC	DT13-12PC
DT13-12PD	DT13-12PD

2 MATERIALS:
 HOUSING/PIN SPACER: PA46 GF30 (SEE SHEET 2 FOR COLORS)
 FLANGE SEAL: VMO (RED-ORANGE)
 PIN CONTACTS: COPPER ALLOY

1 DIMENSION TOLERANCE: ±.025 [.64]
 PANEL CUTOUT: ±.010 [.25]
 PIN LOCATIONS: ±.005 [.13]
 MOUNTING HOLE LOCATIONS: ±.010 [.13]

THIS DRAWING IS A CONTROLLED DOCUMENT.

DWN P. BURKE 06JUN2001
 CHK KEVIN MCKEE 03JUL2014
 APVD DAVID MEYER 03JUL2014

TE Connectivity

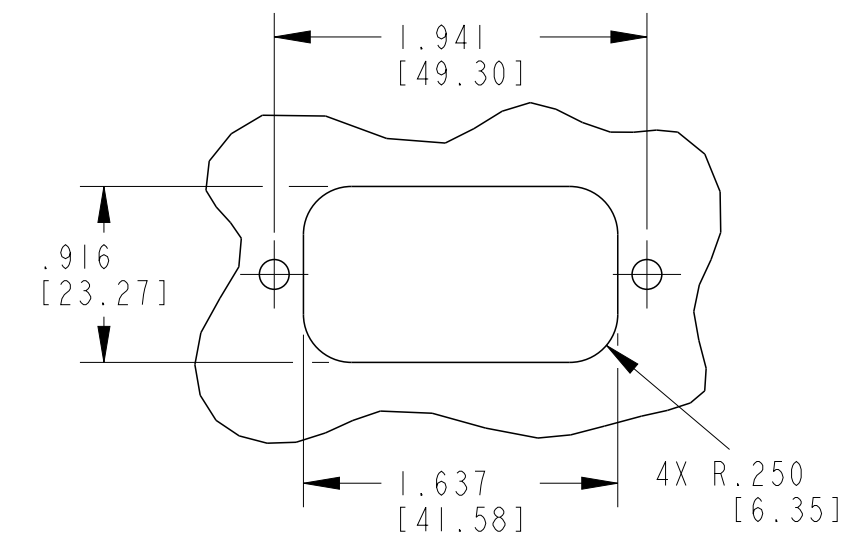
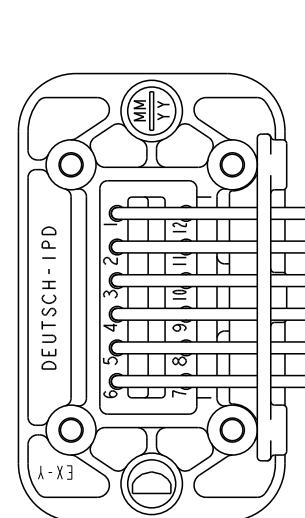
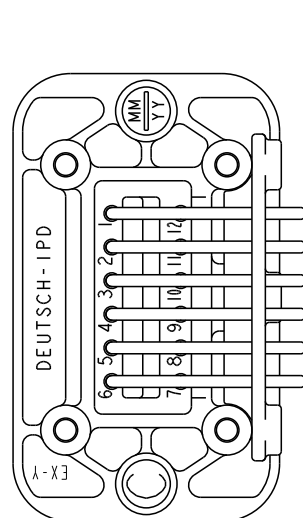
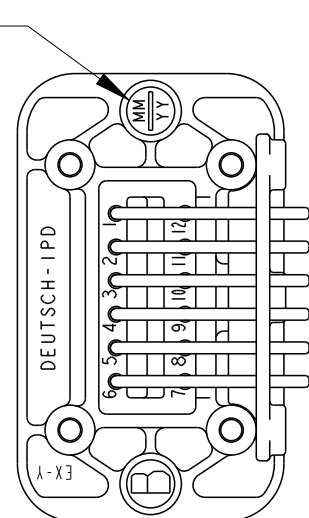
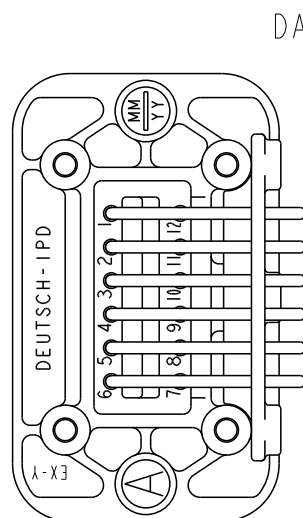
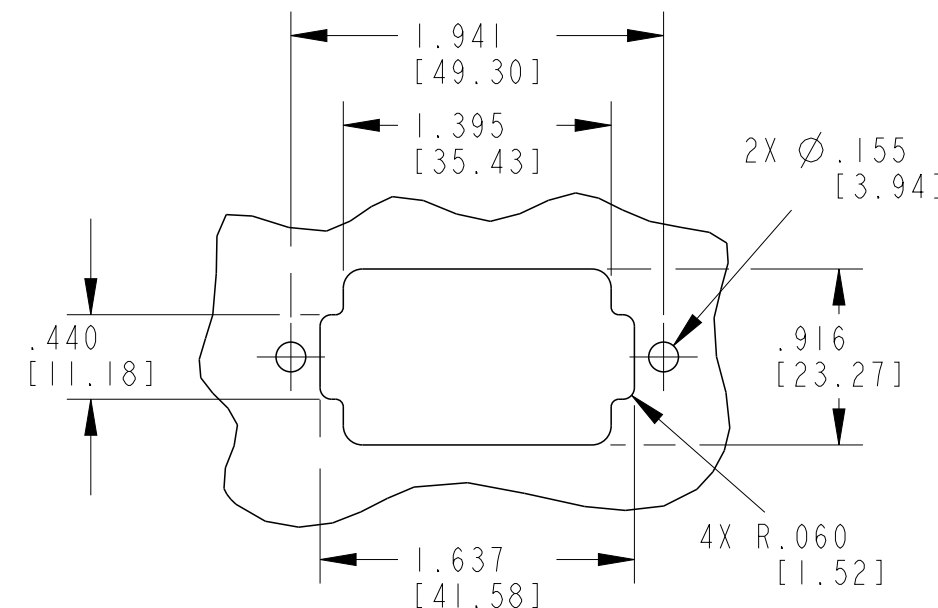
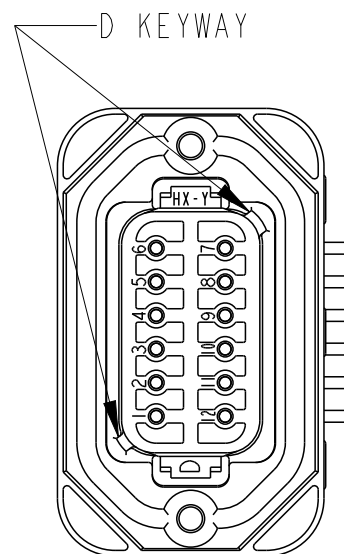
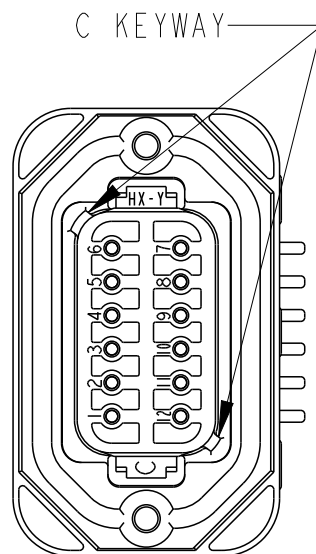
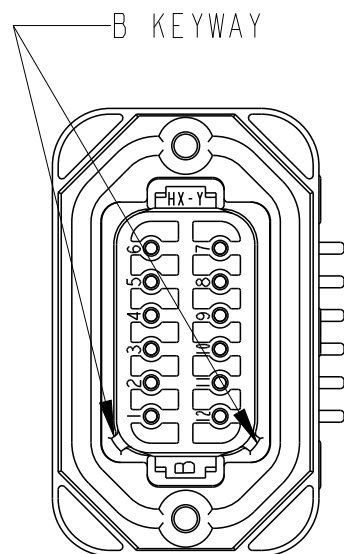
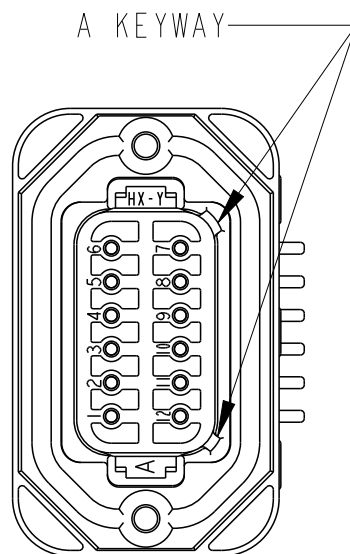
RECEPTACLE HEADER
 12 PIN 90 DEG
 DT SERIES

SIZE A3 CAGE CODE 4AFU8 DRAWING NO. DT13-12PX RESTRICTED TO -

WEIGHT 41g ± 10%

CUSTOMER DRAWING SCALE 3:2 SHEET 1 OF 2 REV C4

LOC		DIST		REVISIONS				
P	LTR	DESCRIPTION			DATE	DWN	APVD	
	-	SEE SHEET 1			-	-	-	




DT13-12PA
COLOR GREY

DT13-12PB
COLOR BLACK

DT13-12PC
COLOR GREEN

DT13-12PD
COLOR BROWN

RECOMMENDED PANEL CUTOUTS

THIS DRAWING IS A CONTROLLED DOCUMENT.		DWN P. BURKE 06 JUN 2001	 TE Connectivity	
DIMENSIONS: INCHES [mm]		CHK KEVIN MCKEE 03 JUL 2014		
TOLERANCES UNLESS OTHERWISE SPECIFIED:		APVD DAVID MEYER 03 JUL 2014	NAME RECEPTACLE HEADER 12 PIN 90 DEG DT SERIES	
0 PLC ± 1 PLC ± 2 PLC ± 3 PLC ± 4 PLC ± ANGLES ±0°30'0"		PRODUCT SPEC	RESTRICTED TO	
MATERIAL		APPLICATION SPEC	SIZE A3	CAGE CODE 4AFU8
FINISH		WEIGHT 41g ±10%	DRAWING NO DT13-12PX	
2		CUSTOMER DRAWING	SCALE 1:1	SHEET 2 OF 2
			REV C4	

X-ON Electronics

Largest Supplier of Electrical and Electronic Components

Click to view similar products for [Automotive Connectors](#) category:

Click to view products by [TE Connectivity](#) manufacturer:

Other Similar products are found below :

[003-018-000](#) [600858](#) [60403001](#) [60993906-B](#) [60993913-B](#) [629515004020001](#) [M902-2131](#) [M902-2161](#) [M902-2344](#) [72.330.1035.1](#)
[73.353.4028.0](#) [F118010](#) [F119300-B](#) [F132210](#) [F132210-B](#) [F166900](#) [F180100](#) [F258300](#) [F258300-B](#) [F294300-B](#) [F339100](#) [F339700](#) [F358300-](#)
[B](#) [F374110](#) [F407400](#) [F412210](#) [F427600](#) [F444110](#) [F487000](#) [F495100-B](#) [F500900-B](#) [F509500B-B](#) [770444-1](#) [776880-1](#) [827153-1](#) [881735-1](#)
[8N1515-32-24P](#) [9-1326727-8](#) [9-1326729-8](#) [925467-1](#) [925474-1](#) [928905-1](#) [936398-2](#) [964562-1](#) [964562-4](#) [964731-2](#) [965051-1](#) [968782-1](#)
[GT17SA-8DS-HU](#) [GT17VS-10DP-5.2CF](#)