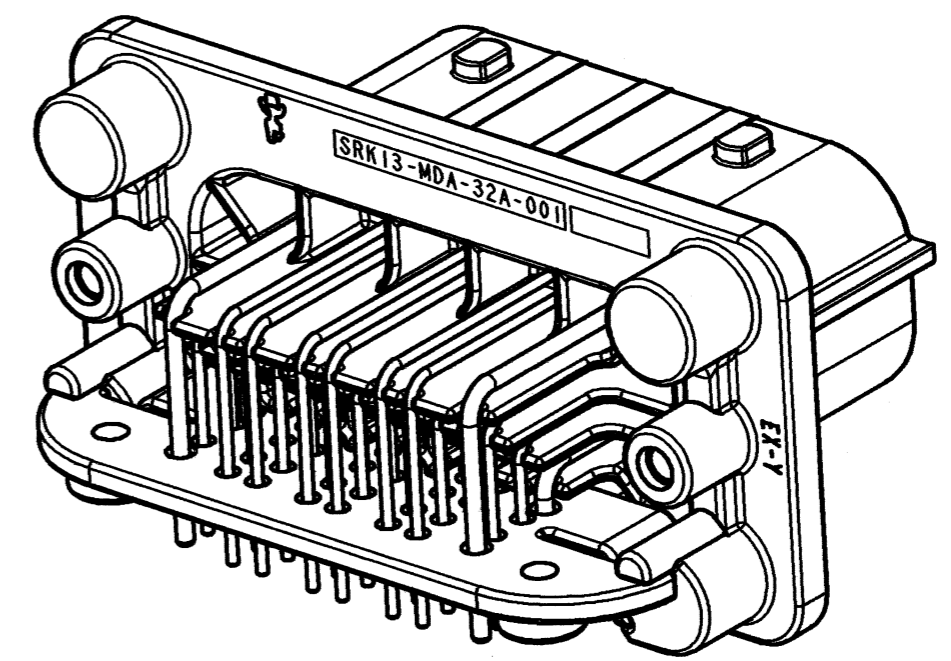
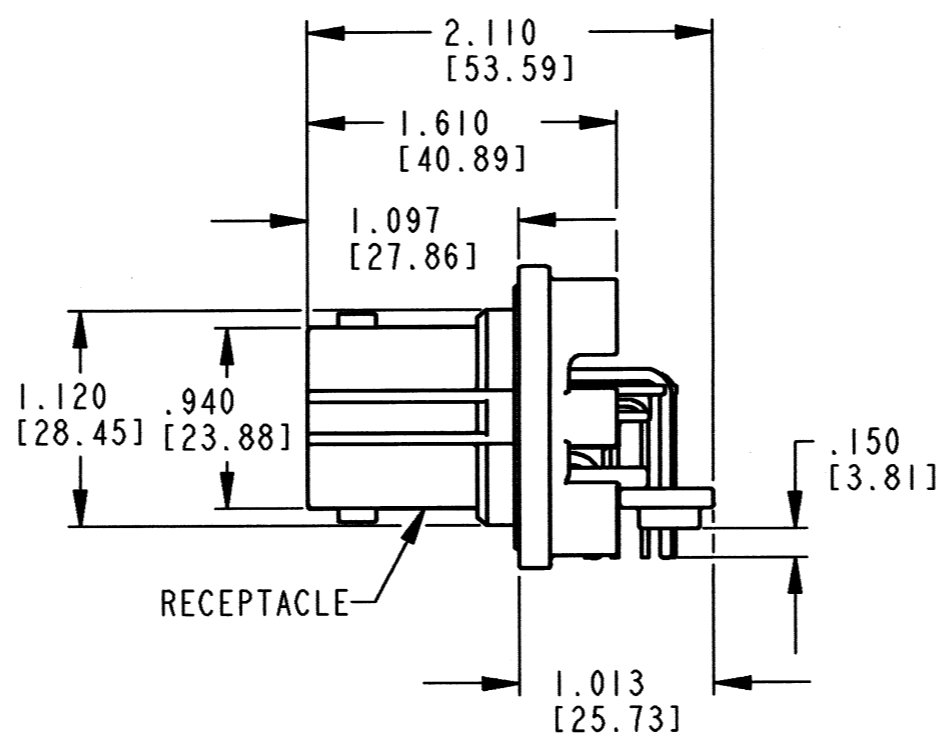
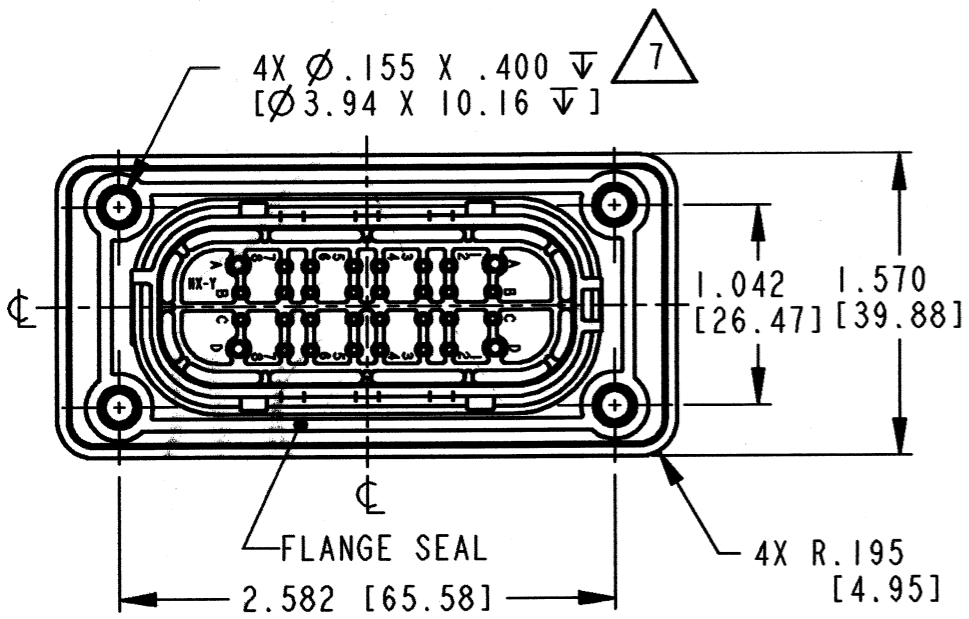
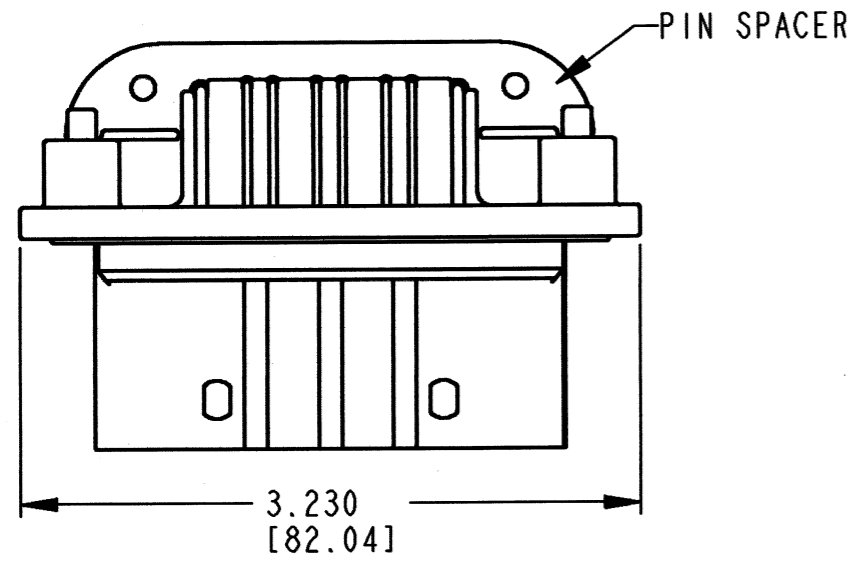


REV
NC SRK13-MD*-32A-001

REVISIONS			
SYM	DESCRIPTION	DATE	APPROVED
NC	NEW RELEASE PER E.O. P20484	6-7-10	<i>RDR</i>



3D VIEW

△6 "A" KEY POSITION SHOWN FOR REFERENCE. SEE SHEETS 3, 4 & 5 FOR OTHER KEY ARRANGEMENTS.

- 5. THIS RECEPTACLE MATES WITH SRK06-MD*-32A-0** PLUG (*=A THRU J KEYS; **=ALL MODIFICATIONS).
- 4. CONTACT PLATING - MATING & PCB SIDE: TIN.
- 3. MATERIAL - PLASTIC (HOUSING:BLACK); SEALS: RUBBER.
- 2. DIMENSION TOLERANCE:±.025 [.64]; PANEL CUTOUT:±.010 [.25].
- 1. DIMENSIONS ARE IN INCHES [mm].

NOTES: UNLESS OTHERWISE SPECIFIED

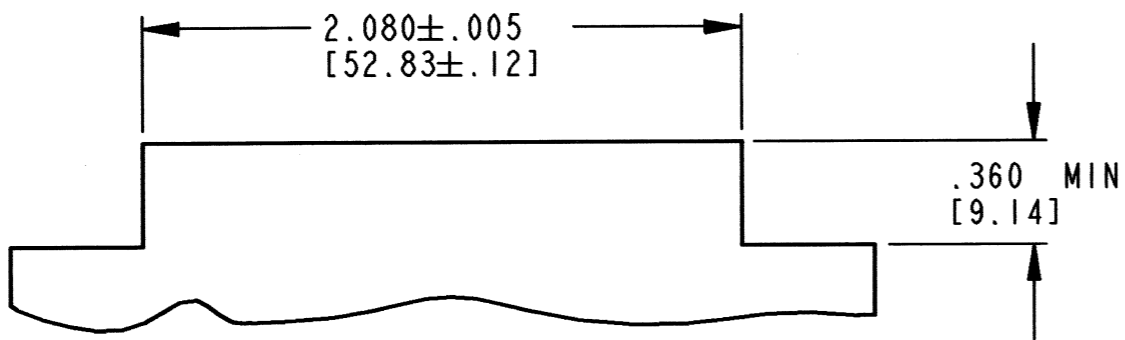
- △9 SURFACE FINISH: 32 RMS OR BETTER; .005 [.12]. RECOMMENDED PANEL THICKNESS: .125 [3.18].
- △8 RECOMMENDED MOUNTING SCREWS: CAMCAR PT THREAD FORMING FASTENER #K40. TORQUE: 10-20 IN-LB [1.13-2.26 N-M]
- △7 RECOMMENDED MOUNTING SCREWS: CAMCAR PT THREAD FORMING FASTENER #K50. TORQUE: 10-20 IN-LB [1.13-2.26 N-M].

SIGNATURE & DATE	
DR	J. APOSTOL 01 APR 2010
CHK	<i>Paula Carnal</i> 5/10/10
PE	<i>Paula Carnal</i> 5/10/10
APPD	<i>D. Meyer</i> 5/31/10
SCALE	NONE WT

90° PCB RECEPTACLE
32 PIN
SRK SERIES

ENVELOPE

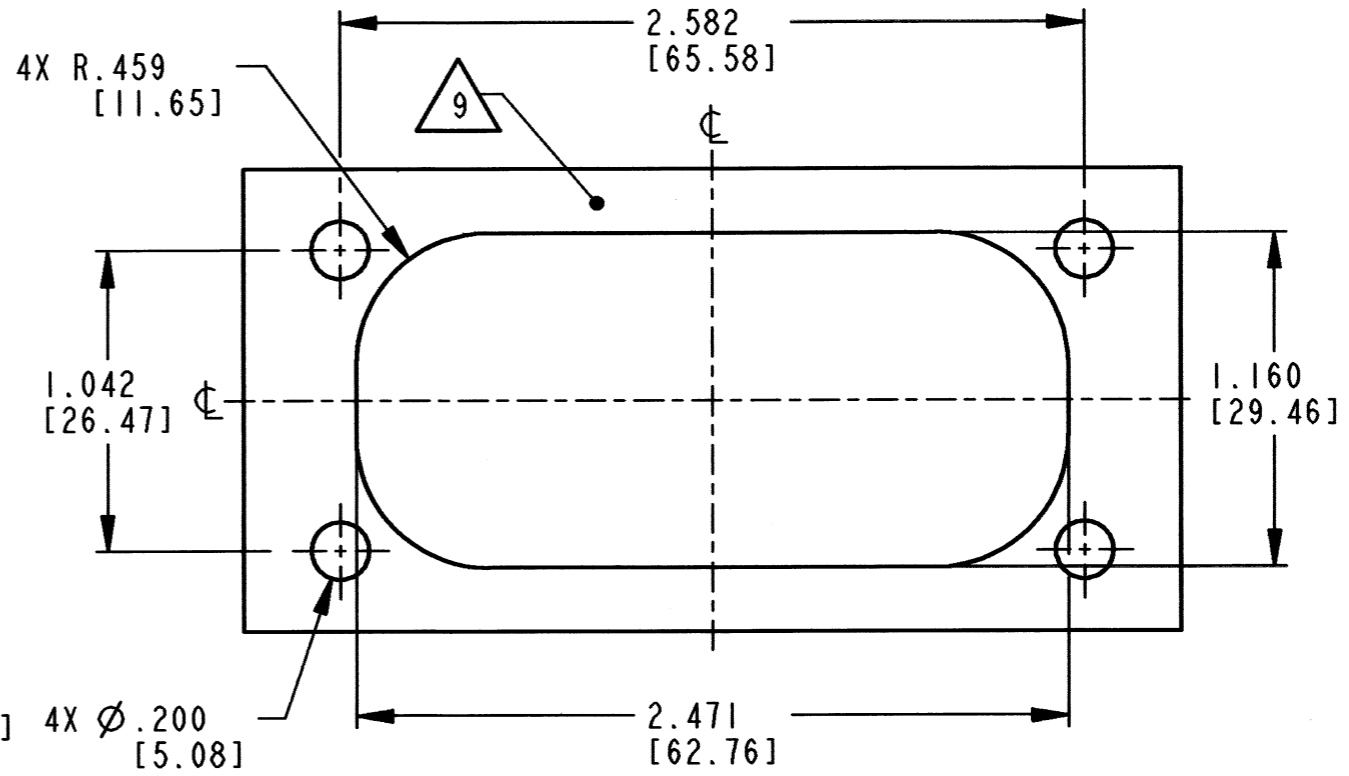
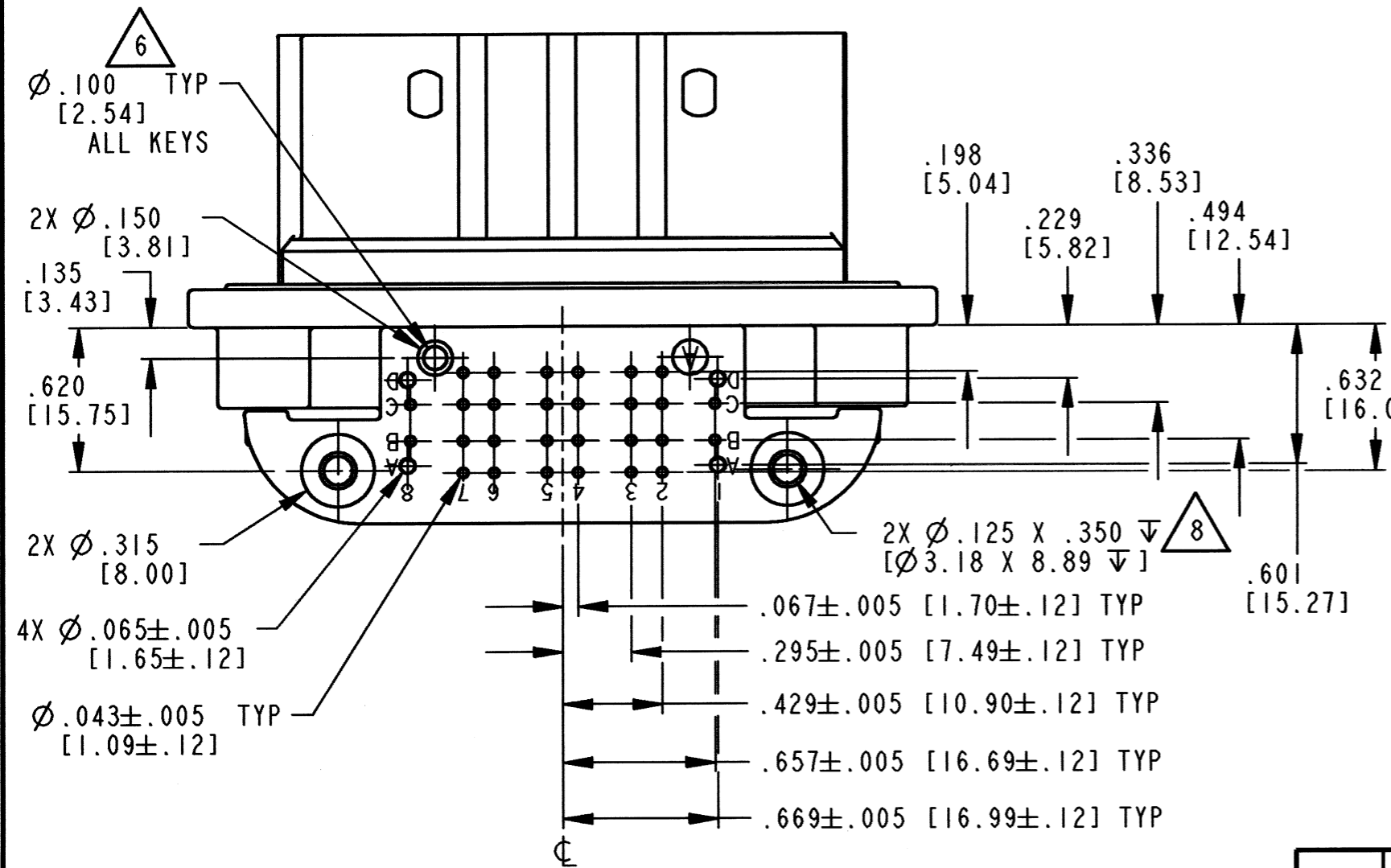
EP 194	MATL. CODE
 3850 INDUSTRIAL AVE. HEMET, CA 92545	
B SRK13-MD*-32A-001	
DWG SIZE	CODE 11139 SHEET 1 OF 5



PC BOARD

REV NC **SRK13-MD*-32A-001**

REVISIONS			
SYM	DESCRIPTION	DATE	APPROVED
NC	SEE SHEET 1	6-7-10	<i>RDP</i>



PANEL CUTOUT

NOTES:

SIGNATURE & DATE	
DR	<i>J. APOSTOL</i> 01APR2010
CHK	<i>Kate Carnoh</i> 5/10/10
PE	<i>Kate Carnoh</i> 5/10/10
APPD	<i>J. Meyers</i> 5/31/10
SCALE	NONE

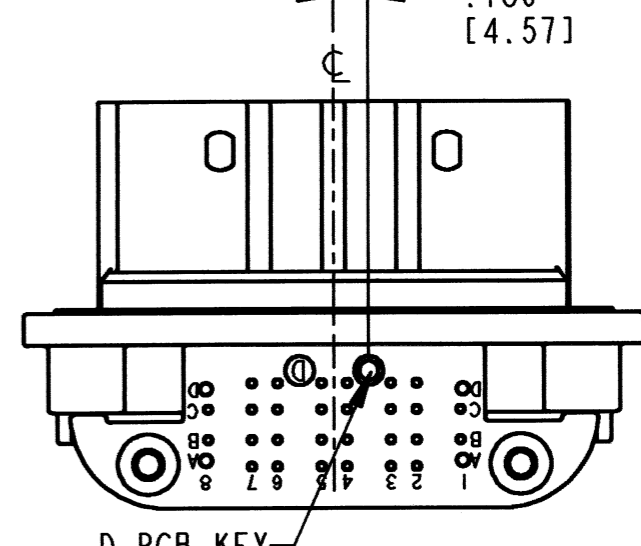
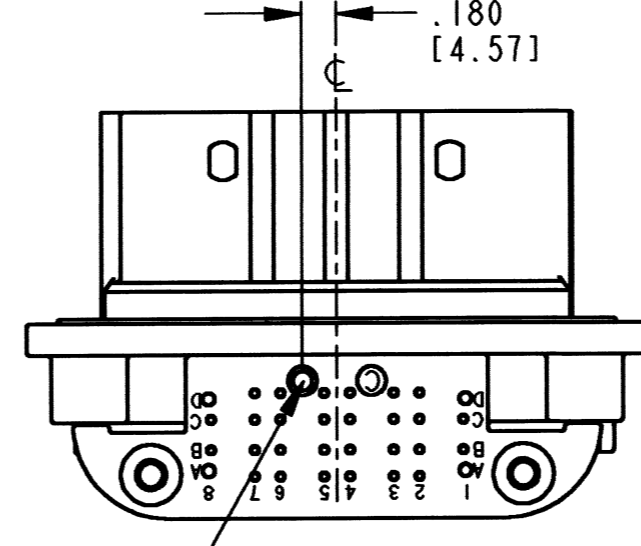
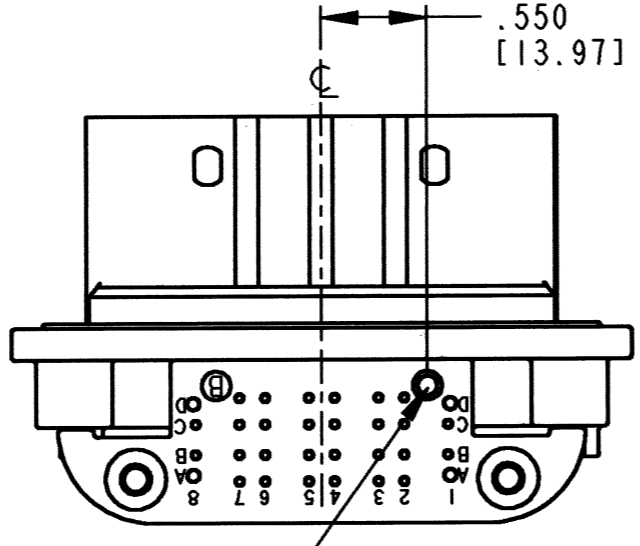
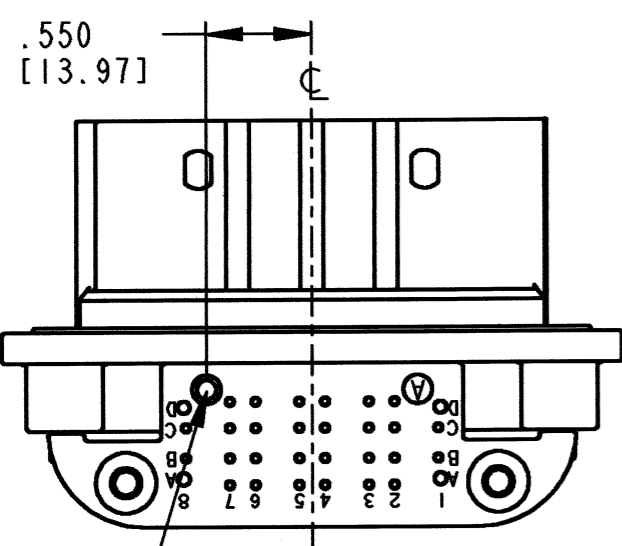
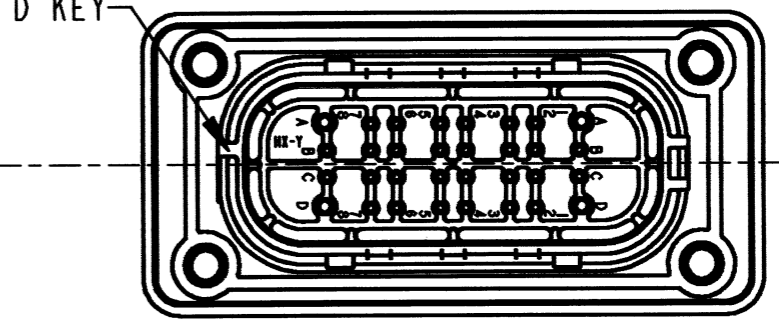
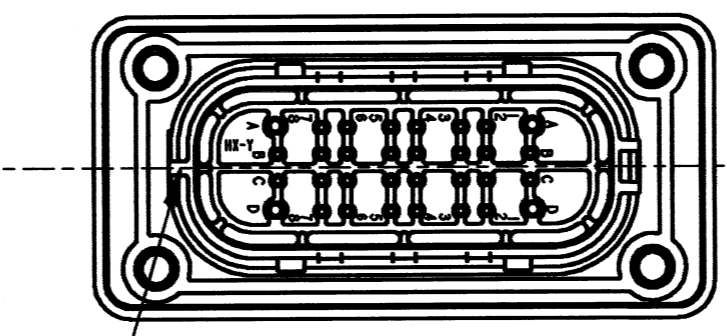
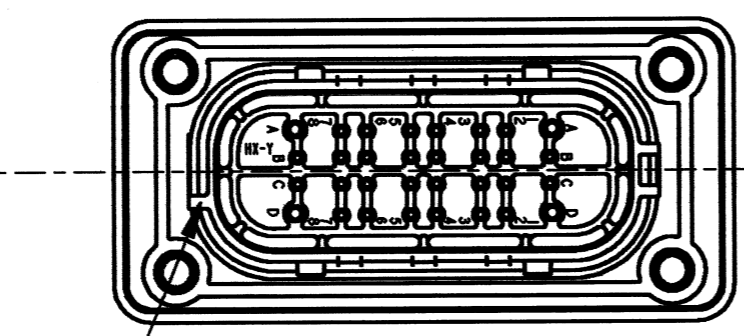
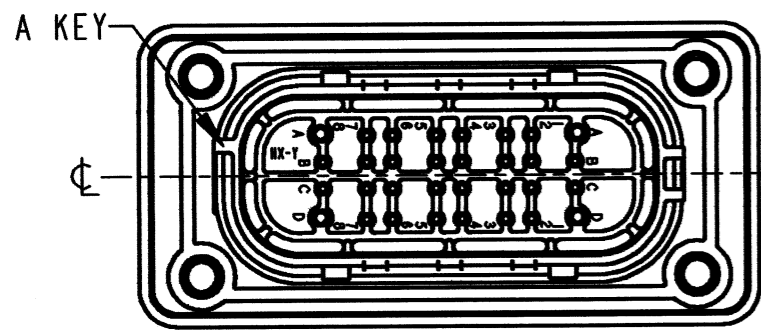
90° PCB RECEPTACLE
32 PIN
SRK SERIES

ENVELOPE

EP 194	NATL. CODE
3850 INDUSTRIAL AVE. HEMET, CA 92545	
B	SRK13-MD*-32A-001
DWG SIZE	CODE 11139 SHEET 2 OF 5

REV
NC SRK13-MD*-32A-001

REVISIONS			
SYM	DESCRIPTION	DATE	APPROVED
NC	SEE SHEET 1	6-7-10	RDR



KEY ARRANGEMENT -A-
SRK13-MDA-32A-001

KEY ARRANGEMENT -B-
SRK13-MDB-32A-001

KEY ARRANGEMENT -C-
SRK13-MDC-32A-001

KEY ARRANGEMENT -D-
SRK13-MDD-32A-001

NOTES:

SIGNATURE & DATE	
DR	J. APOSTOL 01 APR 2010
CHK	<i>Paula Lamm</i> 5/10/10
PE	<i>Paula Lamm</i> 5/10/10
APPD	<i>D. Meyer</i> 5/31/10
SCALE	NONE WT

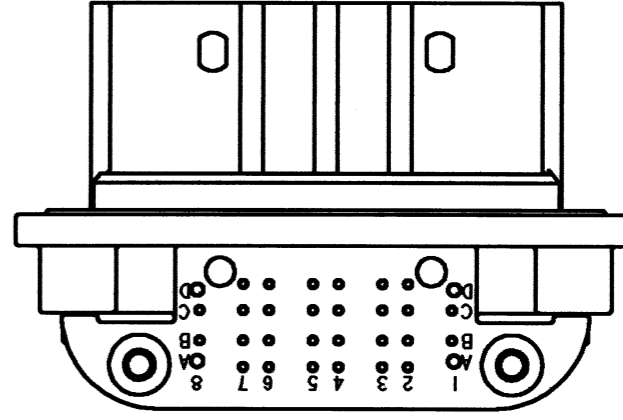
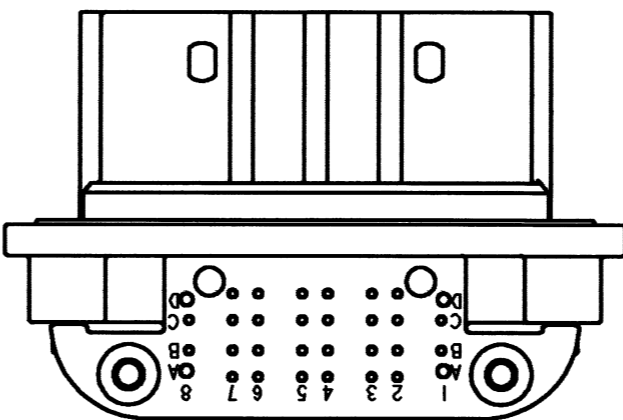
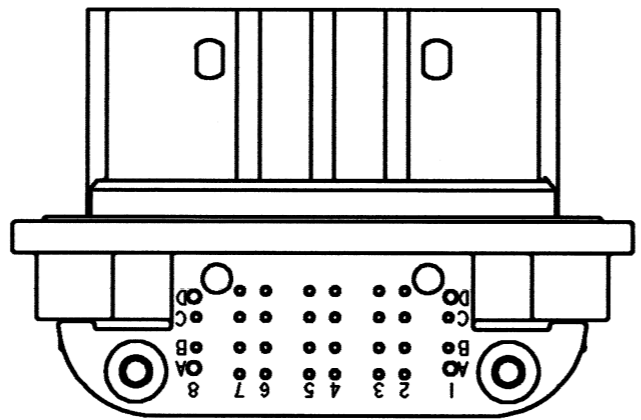
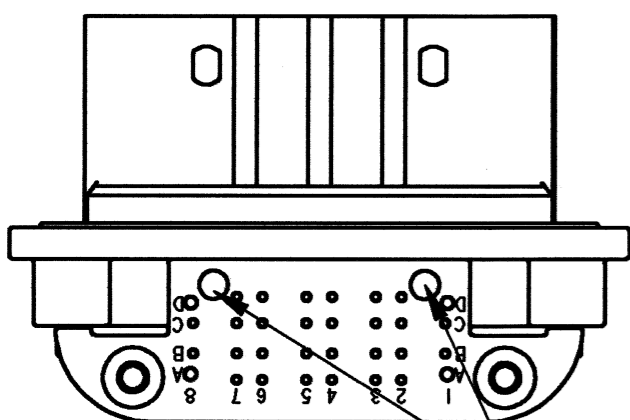
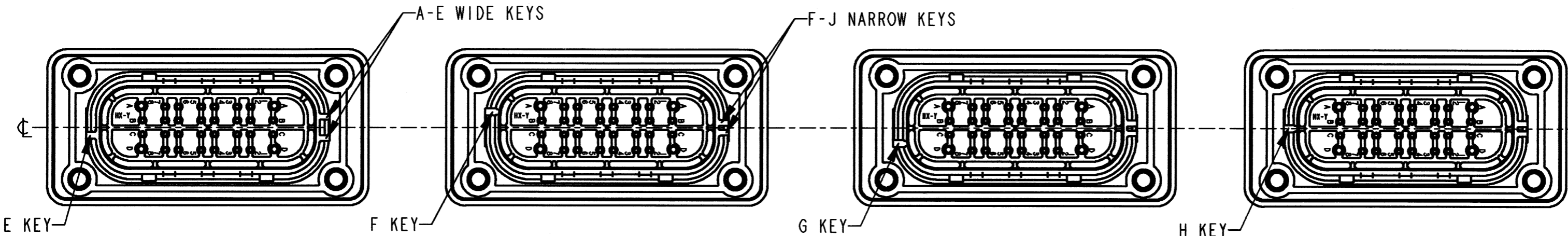
90° PCB RECEPTACLE
32 PIN
SRK SERIES

ENVELOPE

EP 194	MATL. CODE
3850 INDUSTRIAL AVE. HEMET, CA 92545	
B SRK13-MD*-32A-001	
DWG SIZE	CODE 11139 SHEET 3 OF 5

REV
NC SRK13-MD*-32A-001

REVISIONS			
SYM	DESCRIPTION	DATE	APPROVED
NC	SEE SHEET 1	6-7-10	RDR



NO PCB KEYING
E-J KEYS

**KEY ARRANGEMENT -E-
SRK13-MDE-32A-001**

**KEY ARRANGEMENT -F-
SRK13-MDF-32A-001**

**KEY ARRANGEMENT -G-
SRK13-MDG-32A-001**

**KEY ARRANGEMENT -H-
SRK13-MDH-32A-001**

NOTES:

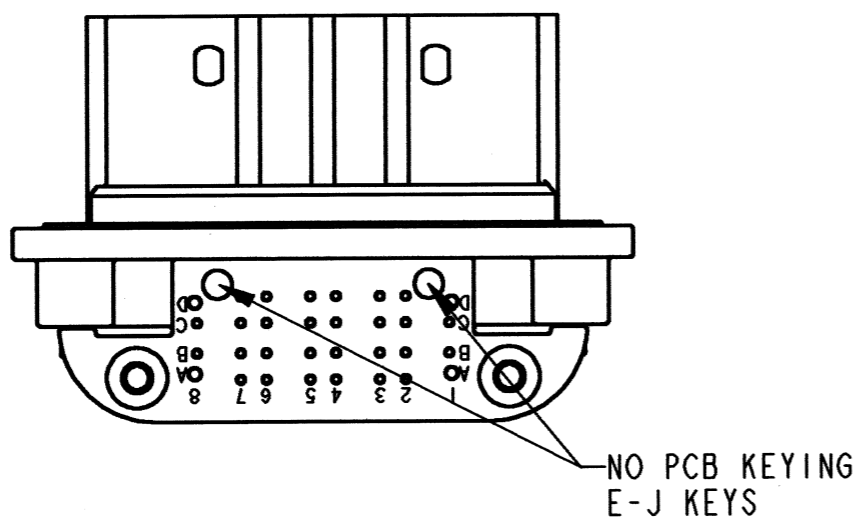
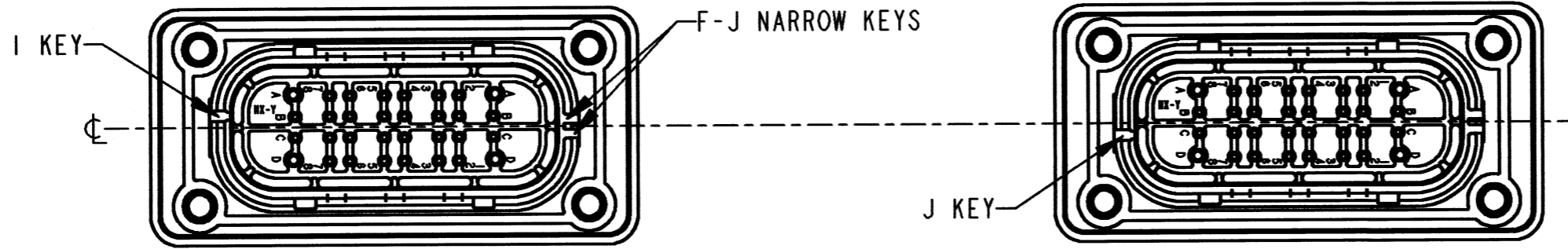
SIGNATURE & DATE	
DR	J. APOSTOL 01 APR 2010
CHK	Paula Arnold 5/10/10
PE	Paula Arnold 5/10/10
APPD	DMeyer 5/10/10
SCALE	NONE 4 WT

90° PCB RECEPTACLE
32 PIN
SRK SERIES

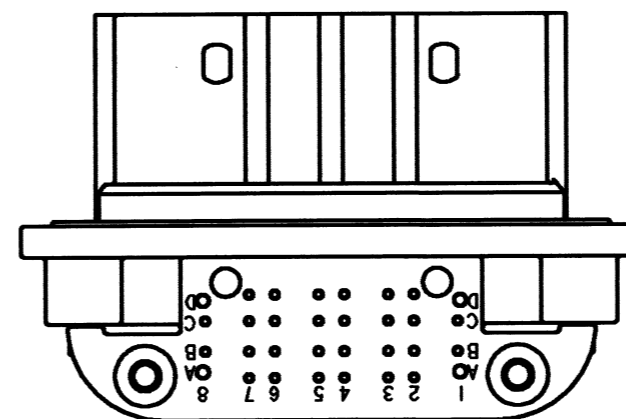
ENVELOPE

EP 194	MATL. CODE
3850 INDUSTRIAL AVE. HEMET, CA 92545 DEUTSCH INDUSTRIAL	
B SRK13-MD*-32A-001	
DWG SIZE	SHEET 4 OF 5

REV NC	SRK13-MD*-32A-001	REVISIONS			
		SYM	DESCRIPTION	DATE	APPROVED
		NC	SEE SHEET 1	6-7-10	ADP



**KEY ARRANGEMENT -I-
SRK13-MDI-32A-001**



**KEY ARRANGEMENT -J-
SRK13-MDJ-32A-001**

NOTES:

SIGNATURE & DATE		90° PCB RECEPTACLE 32 PIN SRK SERIES	EP 194	MATL. CODE
DR	J. APOSTOL 01APR2010		3850 INDUSTRIAL AVE. HEMET, CA 92545	
CHK	<i>Paula Lynch 5/10/10</i>		DEUTSCH INDUSTRIAL	
PE	<i>Paula Lynch 5/10/10</i>		B SRK13-MD*-32A-001	
APPD	<i>D. Meyers 5/31/10</i>	ENVELOPE	DWG SIZE	CODE 11139
SCALE	NONE WT		SHEET 5 OF 5	

X-ON Electronics

Largest Supplier of Electrical and Electronic Components

Click to view similar products for [Automotive Connectors](#) category:

Click to view products by [TE Connectivity](#) manufacturer:

Other Similar products are found below :

[003-018-000](#) [600858](#) [60403001](#) [60993906-B](#) [60993913-B](#) [629515004020001](#) [M902-2131](#) [M902-2161](#) [M902-2344](#) [72.330.1035.1](#)
[73.353.4028.0](#) [F118010](#) [F119300-B](#) [F132210](#) [F132210-B](#) [F166900](#) [F180100](#) [F258300](#) [F258300-B](#) [F294300-B](#) [F339100](#) [F339700](#) [F358300-](#)
[B](#) [F374110](#) [F407400](#) [F412210](#) [F427600](#) [F444110](#) [F487000](#) [F495100-B](#) [F500900-B](#) [F509500B-B](#) [770444-1](#) [776880-1](#) [827153-1](#) [881735-1](#)
[8N1515-32-24P](#) [9-1326727-8](#) [9-1326729-8](#) [925467-1](#) [925474-1](#) [928905-1](#) [936398-2](#) [964562-1](#) [964562-4](#) [964731-2](#) [965051-1](#) [968782-1](#)
[GT17SA-8DS-HU](#) [GT17VS-10DP-5.2CF](#)