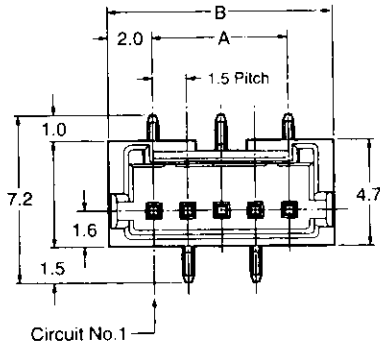


Wire to Board Connectors

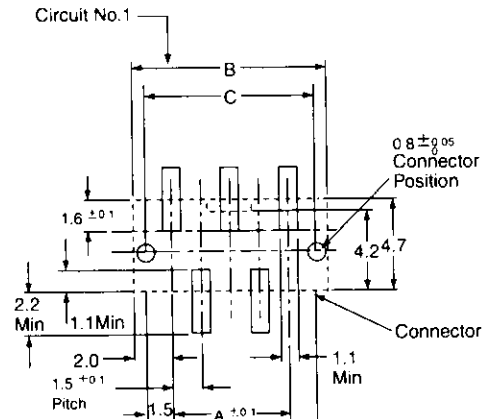
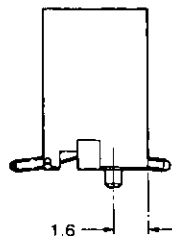
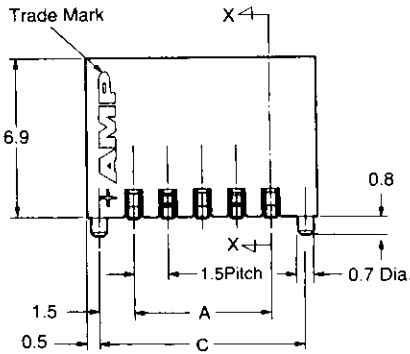
Mini CT (Common Termination) Connector System

Post Header Assemblies (Board-mount)

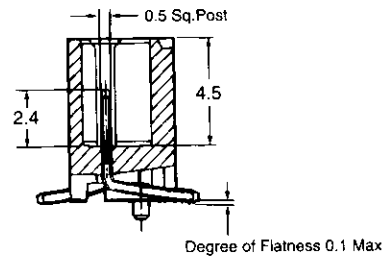
One-Row SMT Type /
Vertical-mount Type
(with bosses)



Circuit No.1



PC Board Layout (Component Side)
(Applicable board thickness=0.8mm Min.)

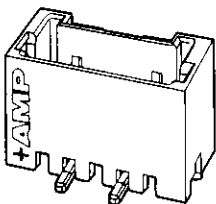


Section X-X

Material and Finish :

Housing — UL94V-0 rated, glassfiber reinforced (heat-resistant) Nylon, beige and black

Post — Pre-tinned, brass wire



No. of Pos.	Dimensions			Part No. of Post Header Assemblies*	
	A	B	C	Beige (Natural color)	Black
3	3.0	7.0	6.0	292230-3	5-292230-3
4	4.5	8.5	7.5	292230-4	5-292230-4
5	6.0	10.0	9.0	292230-5	5-292230-5
6	7.5	11.5	10.5	292230-6	5-292230-6
7	9.0	13.0	12.0	292230-7	5-292230-7
8	10.5	14.5	13.5	292230-8	5-292230-8
9	12.0	16.0	15.0	292230-9	5-292230-9
10	13.5	17.5	16.5	1-292230-0	6-292230-0
11	15.0	19.0	18.0	1-292230-1	6-292230-1
12	16.5	20.5	19.5	1-292230-2	6-292230-2
13	18.0	22.0	21.0	1-292230-3	6-292230-3
14	19.5	23.5	22.5	1-292230-4	6-292230-4
15	21.0	25.0	24.0	1-292230-5	6-292230-5
16	22.5	26.5	25.5	1-292230-6	6-292230-6
17	24.0	28.0	27.0	1-292230-7	6-292230-7
18	25.5	29.5	28.5	1-292230-8	6-292230-8
19	27.0	31.0	30.0	1-292230-9	6-292230-9
20	28.0	32.5	31.5	2-292230-0	7-292230-0

*Emboss tape mounted, 500 pcs.

X-ON Electronics

Largest Supplier of Electrical and Electronic Components

Click to view similar products for [Headers & Wire Housings](#) category:

Click to view products by [TE Connectivity](#) manufacturer:

Other Similar products are found below :

[95000-104TRLF](#) [10135584-644402LF](#) [DF62W-EP2022PCA](#) [95000-106TRLF](#) [DF62W-2022SCA](#) [DF62W-EP2022PC](#) [2203348](#) [DF62W-2022SC](#) [1084018](#) [1029039](#) [1084017](#) [802-10-012-10-002000](#) [1112640](#) [1112639](#) [891-007-9SS-BST1T](#) [000-34000](#) [0008550134](#) [0009482033](#) [0009507031](#) [57102-F02-18ULF](#) [57102-S06-03LF](#) [57202-S52-04LF](#) [PCN6-15S-2.5E](#) [0039019024](#) [58102-G61-06LF](#) [582553-1](#) [0009485154](#) [0009508121](#) [0022285053](#) [0050291907](#) [018731A](#) [LY20-4P-DT1-P1E-BR](#) [02.125.8002.8](#) [60101931](#) [60598-1 \(Cut Strip\)](#) [M1625-3R/100](#) [61062-3](#) [61082-181009](#) [CSU011177004](#) [636-1427](#) [638009-1](#) [641938-9](#) [641991-4](#) [644168-1](#) [644827-2](#) [647662-1](#) [65039-019ELF](#) [65692-001LF](#) [65781-018](#) [65781-047](#)