

THIS DOCUMENT CONTAINS PROPRIETARY INFORMATION AND SUCH INFORMATION MAY NOT BE DISCLOSED TO OTHERS FOR ANY PURPOSE OR USED FOR MANUFACTURING PURPOSES WITHOUT WRITTEN PERMISSION FROM AMPHENOL CANADA CORP.

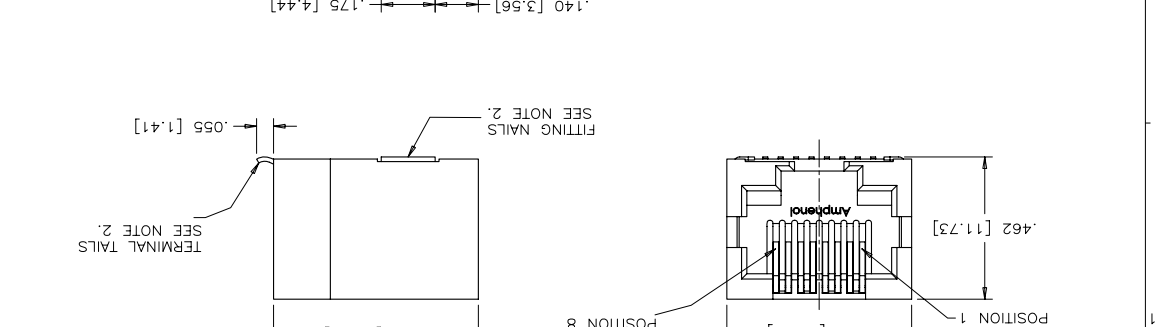
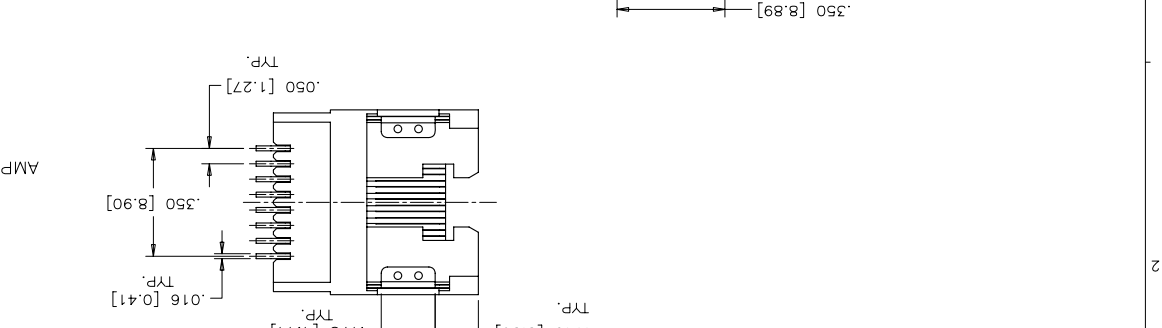
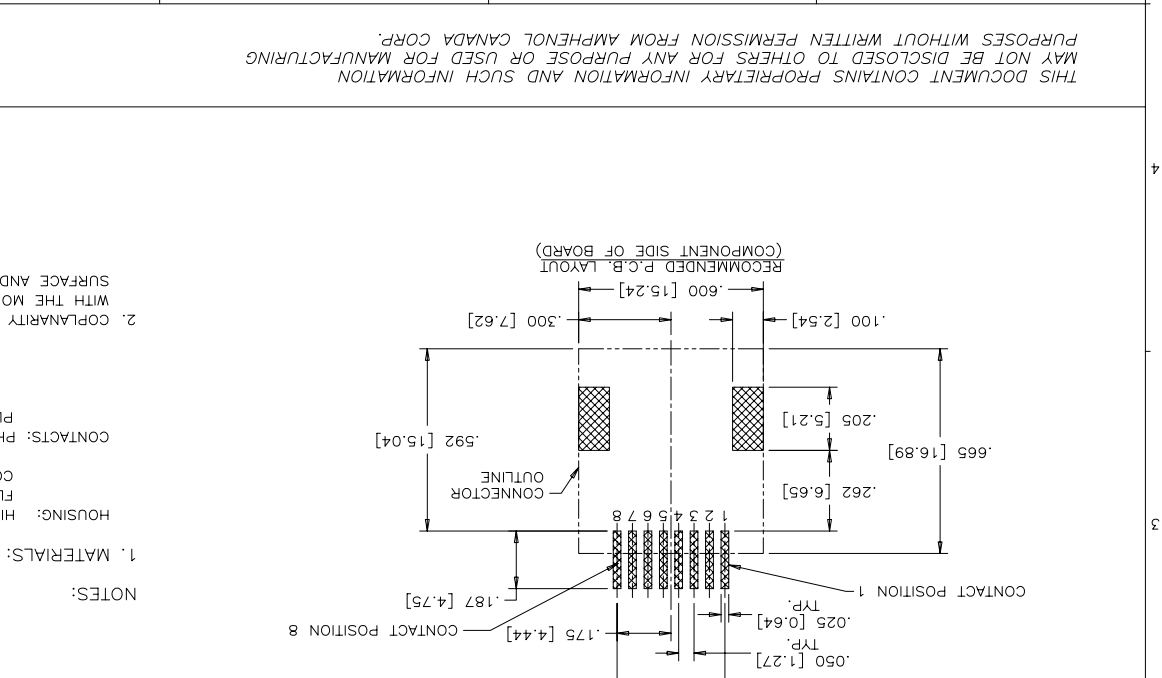
REV.	DWG.	DRAWING NO.	P-RJLSE--4X08X-01T
SCALE	WT.	SURF.	SHEET 1 OF 2
DATE	DESIGNED	CHIGNOW	SEP07.06
DATE	DESIGNED	L. CHAN	SEP07.06
DATE	DESIGNED	OYONG	SEP07.06
DATE	DESIGNED	Q. A. APPRD.	
DATE	DESIGNED	L. E. APPRD.	
DATE	DESIGNED	ENG. REL. NO.	
DATE	DESIGNED	REF.	
DATE	DESIGNED	DIMENSIONS ARE IN [mm] [INCHES]	03554
DATE	DESIGNED	SCALE	

AMPHENOL CANADA CORP.  
 TITLE SURFACE MOUNT MODULAR JACK  
 8 POSITION, 8 CONTACT, WITHOUT SHIELD,  
 WITH TAPE & REEL PACKING  
 - ROHS COMPLIANT

1. MATERIALS:  
 HOUSING: HIGH TEMPERATURE RESISTANT NYLON.  
 FLAMMABILITY RATING UL 94V-0  
 COLOUR: SEE AMPHENOL PART NUMBER SYSTEM FOR HOUSING OPTIONS  
 CONTACTS: PHOSPHOR BRONZE  
 PLATING: GOLD PLATING ON MATING AREA : SEE AMPHENOL PART NUMBER SYSTEM FOR PLATING OPTIONS.  
 50 MICRO" [1.27 MICRONS] MIN. NICKEL UNDERPLATE.  
 100 MICRO" [2.54 MICRONS] MIN. MATTE TIN ON CONTACT TAILS.  
 2. COPLANARITY SPECIFICATION:  
 WITH THE MODULAR JACK SITTING ON A LEVEL SURFACE, THE MAXIMUM GAP BETWEEN THE LEVEL SURFACE AND ALL TERMINAL TAILS AND BOTH FITTING NAILS IS .004 [0.10].

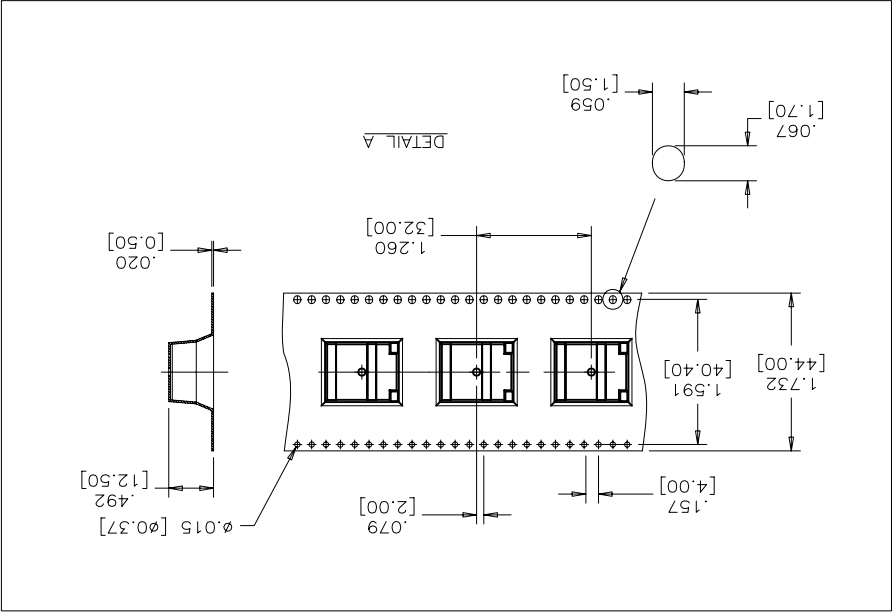
AMPHENOL PART NO.: R J L S E - 4 X 0 8 X - 0 1 T  
 GOLD PLATING  
 0 = GOLD FLASH  
 1 = 15 MICRO" GOLD PLATING  
 2 = 30 MICRO" GOLD PLATING  
 3 = 50 MICRO" GOLD PLATING  
 HOUSING OPTION  
 1 = BLACK HOUSING  
 2 = YELLOW HOUSING

SYM ZONE	DATE	APPRD.
A	SEP 07.06	L.C.
B	AUG 26.08	L.C.
C	MAY 5.10	L.C.
REVISIONS		
ECN, ERN NO.	DATE	APPRD.
PROPOSAL	SEP 07.06	L.C.
PROPOSAL	AUG 26.08	L.C.
PROPOSAL	MAY 5.10	L.C.



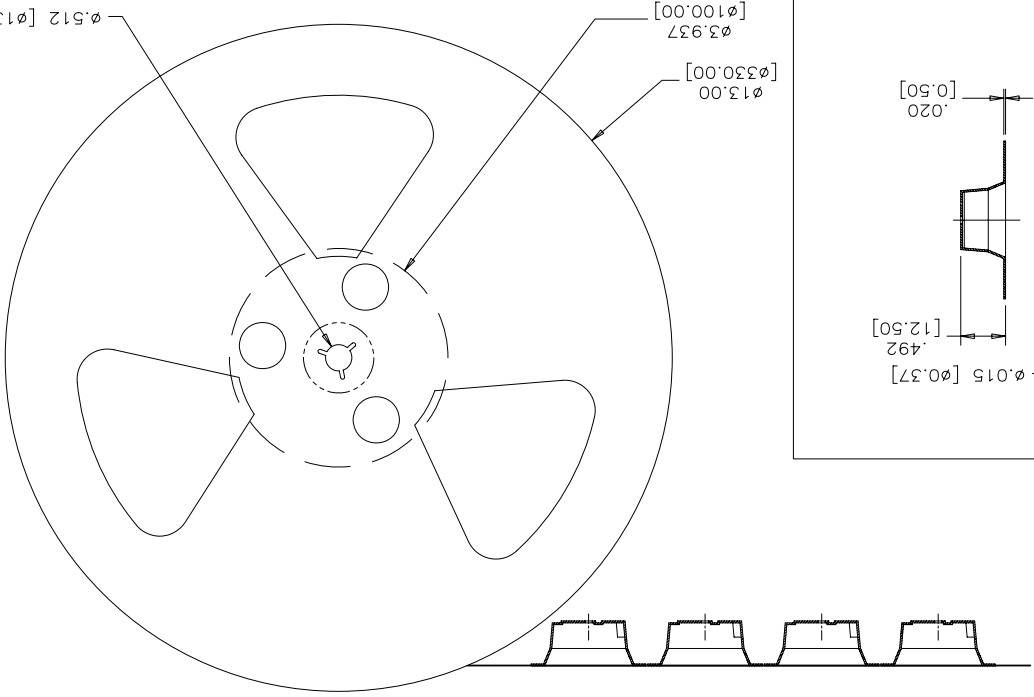
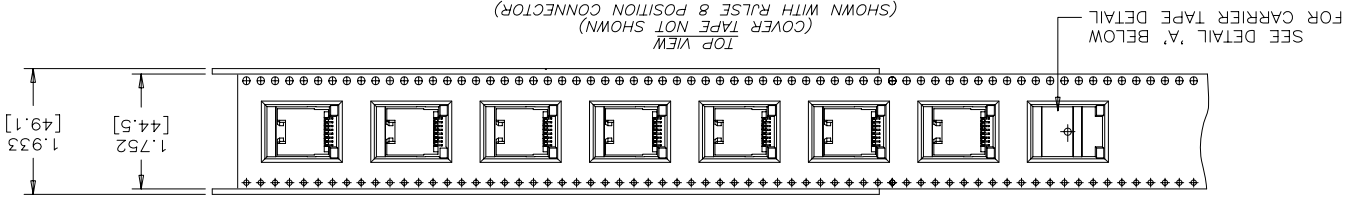


- PACKAGING NOTES:
- ONE REEL SHOULD HOLD 160 CONNECTORS.
  - 17 EMPTY CAVITIES FOR CARRIER TAPE LEADER & 7 EMPTY CAVITIES FOR CARRIER TAPE TRAILER.
  - A FULLY LOADED CARTON SHOULD CONTAIN 5 REELS (800 PCS) OF CONNECTORS.



THIS DOCUMENT CONTAINS PROPRIETARY INFORMATION AND SUCH INFORMATION MAY NOT BE DISCLOSED TO OTHERS FOR ANY PURPOSE OR USED FOR MANUFACTURING PURPOSES WITHOUT WRITTEN PERMISSION FROM AMPHENOL CANADA CORP.

→ DIRECTION OF CONNECTOR LOADED INTO MACHINE.  
LEADS FACING FRONT SIDE



REVISIONS			
SYM	ZONE	Ecn, ERN NO.	DATE
A		PROPOSAL	SEP07,06
B		PROPOSAL	AUG 26/08
C		PROPOSAL	MAR 5,10

DATE	SEP07,06	DRAWN	Chigow	DESIGNED	LCHAN	CHECKED	SEP07,06
TITLE SURFACE MOUNT MODULAR JACK 8 POSITION, 8 CONTACTS, WITHOUT SHIELD, WITH TAPE & REEL PACKAGING--ROHS COMPLIANT							
DWG		DRAWING NO.		P-RULSE-4X08X-01T			
REV	C	REF: DIMENSIONS ARE IN INCHES [mm] CODE ID. NO. 03554 SCALE NTS WT. --- SURF. --- SHEET 2 OF 2					

A B C D E F

4

3

2

1

4

3

2

1

## X-ON Electronics

Largest Supplier of Electrical and Electronic Components

*Click to view similar products for [Modular Connectors](#) / [Ethernet Connectors](#) category:*

*Click to view products by [Amphenol](#) manufacturer:*

Other Similar products are found below :

[RJE231881317T](#) [MP1010RX-1000](#) [MP44RX-1000](#) [GAX-3-66](#) [GAX-8-62](#) [93606-0253](#) [GD-A-44](#) [GDCX-PA-66-50](#) [GDCX-PN-64](#) [GDCX-PN-66](#) [GDCX-PN-66-50](#) [GDLX-A-66](#) [GDLX-A-88](#) [GDLX-N-66](#) [GDLX-S-88K](#) [GDTX-S-88-50](#) [GDX-PA-1010](#) [GLX-N-1010M-BLK](#) [GLX-N-44M](#) [GLX-S-88M-BLK](#) [GMX-N-1010](#) [GMX-S-1010](#) [GMX-S-66](#) [GMX-SMT2-N-1010](#) [GMX-SMT2-N-64-50](#) [GMX-SMT2-S6-88](#) [GMX-SMT4-N-88](#) [GPX-2-64](#) [GRT1-BT1-5](#) [GSGX-N-2-88](#) [GSX-NS2-88-3.05](#) [GSX-NS2-88-3.05-50](#) [GSX-NS-88-3.05-30](#) [GSX-NS-88-3.05-50](#) [GSX-NS-88-3.68](#) [1-1775629-2](#) [GWLX-S-88-GR](#) [GWLX-S9-88-YG](#) [1300500326](#) [1300500227](#) [1300530003](#) [1300570002](#) [1324640-4](#) [RJ11FTVC2G](#) [RJ11FTVC2N](#) [RJFTVX2SA1G](#) [132764-001](#) [1400000](#) [1413235](#) [MP88X-1000](#)