

MIC-3753/3753R

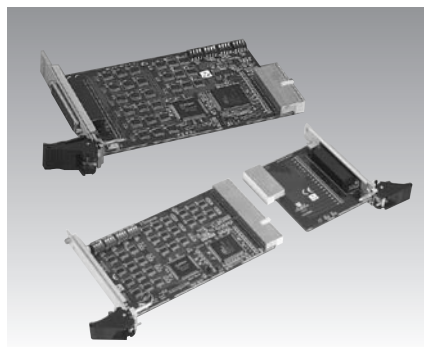
MIC-3756

MIC-3758

72-ch Digital I/O CPCI Cards

64-ch Isolated Digital I/O CPCI Card

128-ch Isolated Digital I/O CPCI Card



MIC-3753R/3

MIC-3753/3



Specifications

Digital Input

- Channels: 72 (shared with output)
- Compatibility: 5 V/TTL
- Input Voltage: Logic 0: 0.8 V max.
Logic 1: 2.0 V min.
- Interrupt Capable Ch.: 6 (2 for each C port)

Digital Output

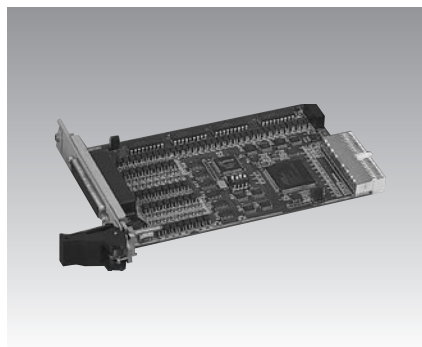
- Channels: 72 (shared with input)
- Compatibility: 5 V/TTL
- Output Voltage: Logic 0: 0.44 V max. @ 24 mA
Logic 1: 3.76 V min. @ 24 mA
Sink: 0.44 V max. @ 24 mA
Source: 3.76 V min. @ 24 mA
- Output Capability

General

- PICMG Compliance: CompactPCI V2.0, R 2.1
Hot-Swap V2.1, R 2.0
- Bus Type: CompactPCI
- I/O Connectors: 1 x 78-pin D-type female connector
- Dimensions: 160 x 100 mm (6.9" x 3.9") with 3U Bracket
- Power Consumption: Typical: +5 V @ 400 mA
Max.: +5 V @ 0.7 A
- Operating Temperature: 0 ~ 60° C (32 ~ 140° F)
(refer to IEC 68-2-1, 2)
- Operating Humidity: 5 ~ 95% RH, non-condensing
(refer to IEC 68-2-3)
- Storing Temperature: -20 ~ 70° C (-4 ~ 158° F)
- Certifications: CE

Ordering Information

- MIC-3753/3: 3U CompactPCI 72-ch Digital I/O card
- MIC-3753R/3: 3U CompactPCI 72-ch Digital I/O card with Rear I/O support
- PCL-10178-1: DB-78 cable assembly, 1 m
- ADAM-3978: DB-78 wiring terminal for DIN-rail mounting



MIC-3756/3



Specifications

Isolated Digital Input

- Channels: 32
- Input Voltage: Logic 0: 2 V max.
Logic 1: 10 V min.
(50 V max.)
- Interrupt Capable Ch.: 2 (DI00, DI16)
- Isolation Protection: 2,500 V_{DC}
- Input Resistance: 5.7kΩ

Isolated Digital Output

- Channels: 32
- Output Type: Sink (NPN)
- Isolation Protection: 2,500 V_{DC}
- Output Voltage: 5 ~ 40 V_{DC}
- Sink Current: 100 mA max./channel
- Opto-Isolator Response: OFF delay (±20%) 5 μs
ON delay (±20%) 120 μs

Photocouple Response Time

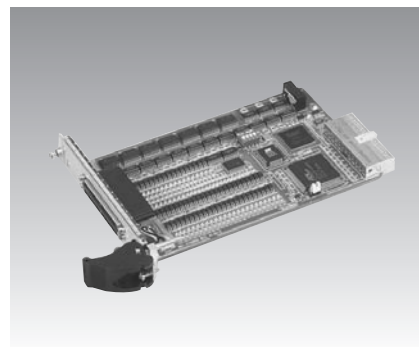
Input Voltage	*OFF delay (±20%)	*ON delay (±20%)
12 V	120 μs	10 μs
24 V	140 μs	5 μs
30 V	150 μs	4 μs
50 V	200 μs	4 μs

General

- PICMG Compliance: CompactPCI V2.0, R 3.0
Hot-Swap V2.1, R 2.0
- Bus Type: CompactPCI
- I/O Connectors: 1 x 78-pin D-type female connector
- Dimensions: 160 x 100 mm (6.9" x 3.9") with 3U Bracket
- Power Consumption: Typical: 5 V @ 220 mA
Max: 3.3 V @ 260 mA
- Operating Temperature: 0 ~ 60° C (32 ~ 140° F)
(refer to IEC 68-2-1, 2)
- Operating Humidity: 5 ~ 95% RH, non-condensing
(refer to IEC 68-2-3)
- Storing Temperature: -20 ~ 70° C (-4 ~ 158° F)
- Certifications: CE

Ordering Information

- MIC-3756/3: 3U 64-channel isolated digital I/O Card
- PCL-10178-1: DB-78 cable assembly, 1 m
- ADAM-3978: DB-78 wiring terminal for DIN-rail mounting



MIC-3758/3



Specifications

Isolated Digital Input

- Channels: 64
- Input Voltage: Logic 0: 2.5 V max.
Logic 1: 5 V min. (25 V max)
- Interrupt Capable Ch.: 64
- Isolation Protection: 2500 V_{DC}
- Opto-Isolator Response: 50 μs
- Input Resistance: 3 kΩ

Isolated Digital output

- Channels: 64
- Output Type: Sink (NPN)
- Isolation Protection: 2500 V_{DC}
- Output Voltage: 5 ~ 40 V_{DC}
- Sink Current: 90 mA max./Channel
- Opto-isolator Response: 50 μs

General

- Bus Interface: CPCI bus spec. 2.1 compliant
- I/O Connectors: 1 x MINI-SCSII HDRA-E100 Female
- Board Dimensions: CPCI 3U (160 mm x 100 mm)
- Power Consumption: Typical: +5 V @ 800 mA,
+3.3 V @ 600 mA
Max: +5 V @ 1 A, +3.3 V @ 1 A
- Operating Temperature: 0 ~ 60° (32 ~ 140° F)
(IEC 68-2-1,2)
- Storing Temperature: -20 ~ 70 °C (-4 ~ 158 °F)
- Storing Humidity: 5 ~ 95% (IEC 68-2-3)
non-condensing

Ordering Information

- MIC-3758/3: 3U CompactPCI 128-ch isolated Digital I/O card
- PCL-101100S-1: 100-pin SCSI Cable, 1 m
- ADAM-39100: 100-pin SCSI wiring terminal, DIN-rail mounting

X-ON Electronics

Largest Supplier of Electrical and Electronic Components

Click to view similar products for [D-Sub Cables](#) category:

Click to view products by [Advantech](#) manufacturer:

Other Similar products are found below :

[CS-DSSMDB25MF-002.5](#) [CS-DSDMDB50MM-010](#) [CS-DSSMDB15MM-010](#) [73-6210-MF-10](#) [1200980067](#) [RB09P09P-006](#) [RB09P09P-012](#)
[RB15P15P-006](#) [RB25P25P-006](#) [RB25P25P-012](#) [RB37P37P-024](#) [1300-00032](#) [14526-EZHB-200-0QC \(RC\)](#) [172-0906](#) [SDB15P15S-060](#)
[SDB37P37S-012](#) [SHD15P15S-012](#) [SHD15P15S-036](#) [SHD15P15S-060](#) [177-710-1-9S6K7-24MNN](#) [ACL-10137-2MM](#) [RB09P09P-024](#)
[319285-3](#) [CS-DSDMDB15MM-015](#) [CS-DSSMDB15MF-005](#) [33662132000066](#) [RS422-OM2](#) [SDB09P09S-060](#) [SDB25P25S-060](#)
[SHD26P26S-060](#) [SHD44P44S-036](#) [73-6210MM-25](#) [CS-DSPMDB09MF-006](#) [CS-DSNL4259MF-010](#) [CS-DSDMDB25MF-005](#) [CS-](#)
[DSSMDB9MF0-025](#) [49725A 060S2](#) [CS-DSDMDB50MF-002.5](#) [CS-DSDMDB50MF-050](#) [CS-DSDMDB37MM-005](#) [1700091800](#) [CS-](#)
[DSDMDB50MF-025](#) [CS-DSDMDB37MM-015](#) [CS-DSPMDB09MF-010](#) [CS-DSDMDB50MM-002.5](#) [CS-DSSMDB37MM-025](#) [CS-](#)
[DSDMDB50MM-005](#) [CS-DSSMDB9MF0-002.5](#) [CS-DSPMDB25MM-010](#) [CS-DSPMDB25MF-010](#)