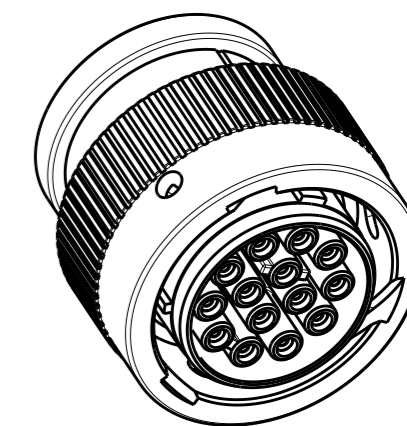
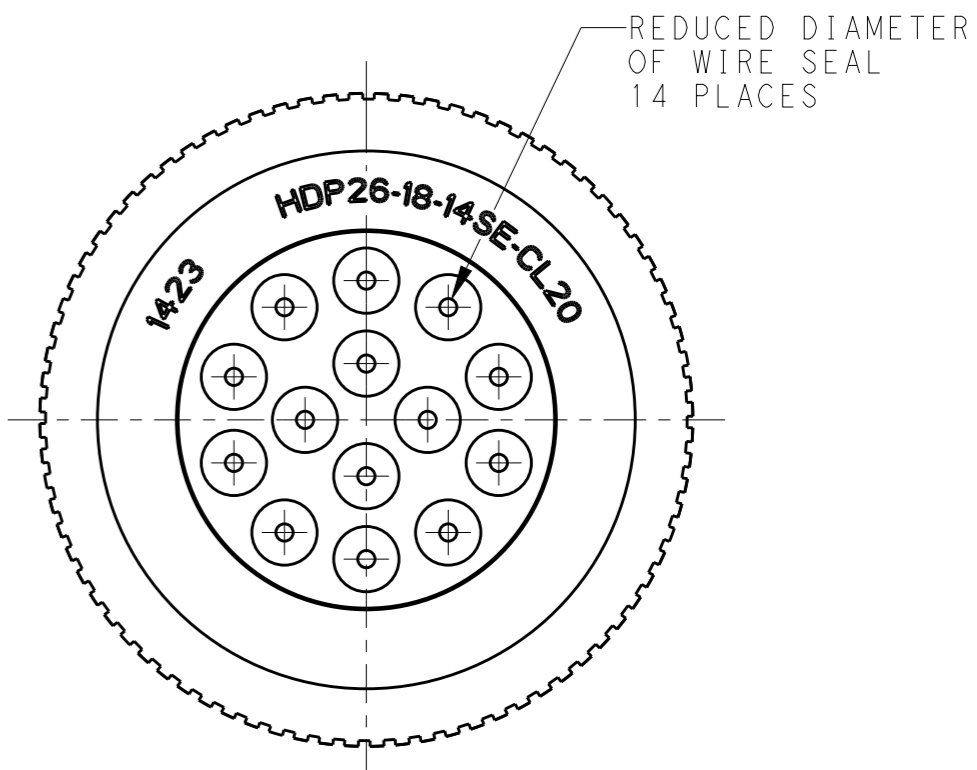
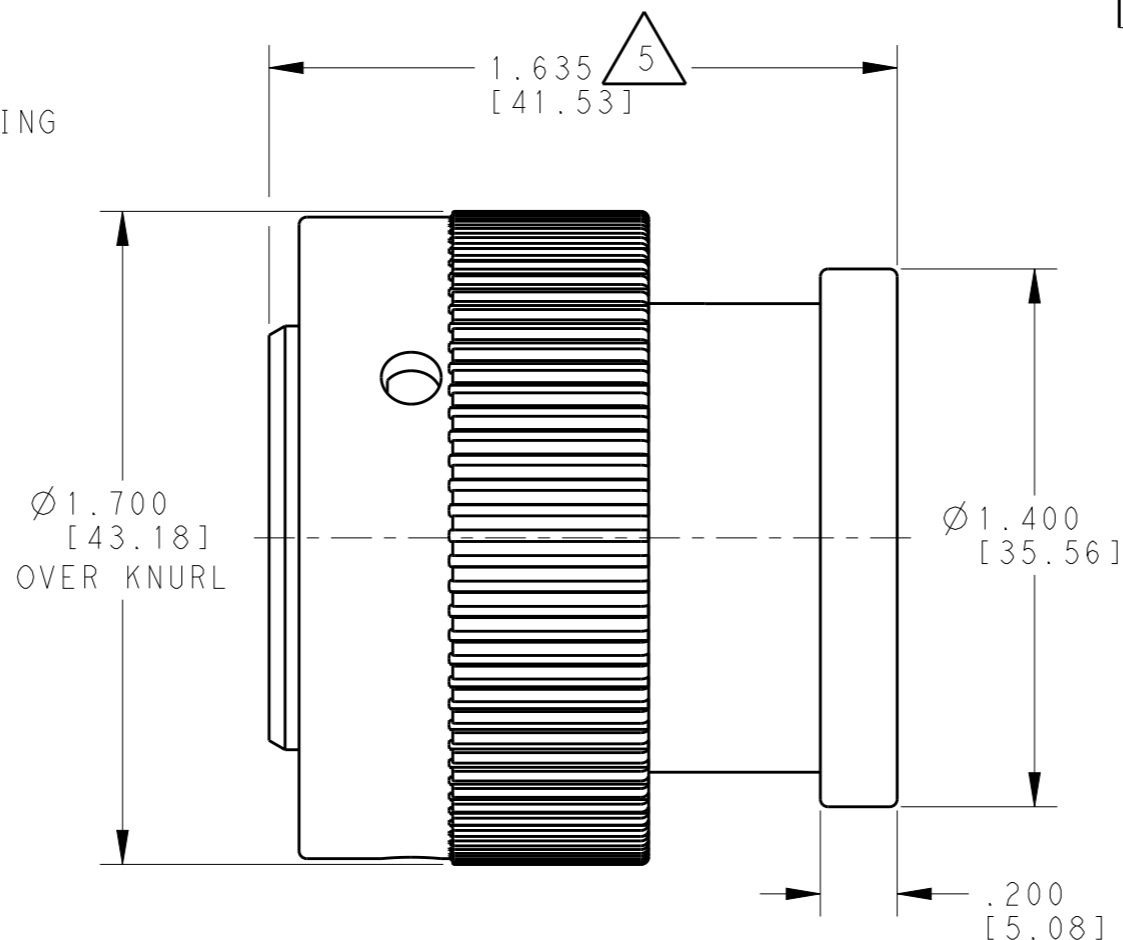
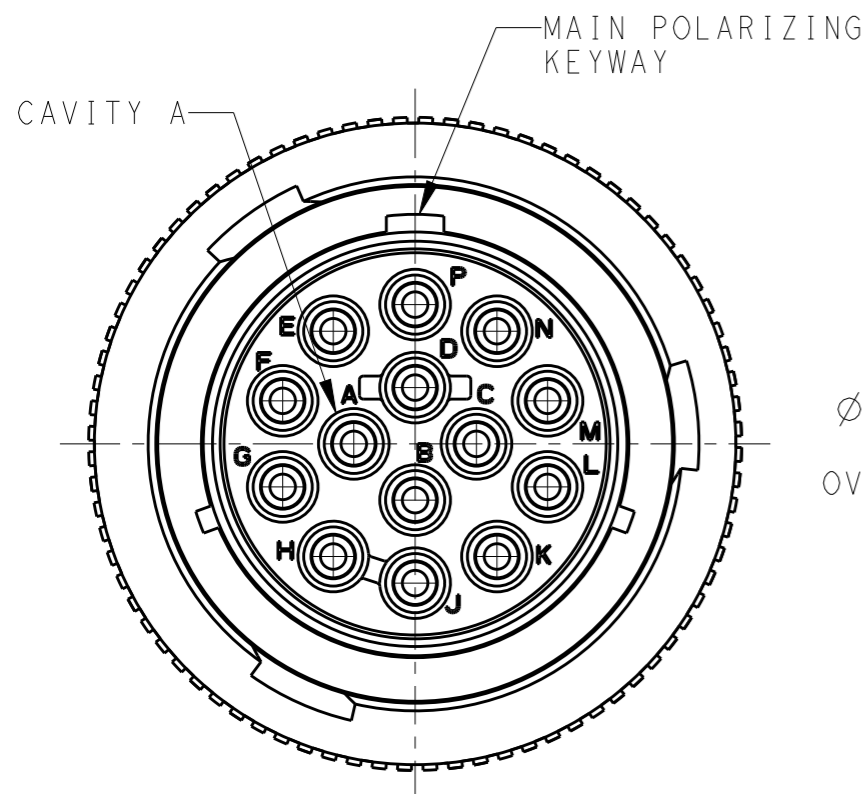


LOC	DIST	REVISIONS			
P	LTR	DESCRIPTION	DATE	DWN	APVD
	1	DEVELOPMENTAL RELEASE PER ECO-14-006883	08MAY2014	AM	DM
	A	PRODUCTION RELEASE PER ECO-14-008611	06JUN2014	JA	DM



6 MATERIAL: SHELL: PLASTIC PA66 30GF, SEAL: SILICONE MQ.

5 OVERALL DIMENSION DOES NOT INCLUDE RUBBER GROMMET.

4. THIS PLUG MATES WITH HDP24-18-14PE-C041 RECEPTACLE.

3 FOR CONTACT AND WIRE PERFORMANCE AND APPLICATION CHARACTERISTIC, SEE 0425-015-0000 AND 0425-021-0000. THIS PLUG USES SOCKET CONTACTS ONLY.

2. THIS CONNECTOR SERIES WILL ACCOMMODATE THE FOLLOWING WIRE INSULATION DIAMETERS.

CONTACT SIZE	MIN. INSUL. O.D.	MAX. INSUL. O.D.	WIRE RANGE [mm ²]
16	.053 [1.35]	.120 [3.05]	14-20 AWG [2.0-.50]

1. CONSULT FACTORY FOR ELECTRICAL AND MATERIAL SPECIFICATIONS.

NOTES:

THIS DRAWING IS A CONTROLLED DOCUMENT.		DWN 02JUN2014 JAIME APOSTOL			
DIMENSIONS: INCHES [mm]		CHK 06JUN2014 TIM HOLT			
		TOLERANCES UNLESS OTHERWISE SPECIFIED:		NAME PLUG CONNECTOR	
		0 PLC ± 1 PLC ± 2 PLC ± 3 PLC ±.025 [0.64] 4 PLC ± ANGLES ±0°30'0"		ARR 18-14 E-SEAL -CL20 MOD	
MATERIAL 6		FINISH		COLOR BLACK HDP SERIES	
		WEIGHT .075 lbs [33.85 GRAMS]		SIZE A3	CAGE CODE 4AFU8
		Customer Drawing		DRAWING NO. HDP26-18-14SE-CL20	
		SCALE 2:1		RESTRICTED TO	
		SHEET 1 OF 1		REV A	

X-ON Electronics

Largest Supplier of Electrical and Electronic Components

Click to view similar products for [Automotive Connectors](#) category:

Click to view products by [TE Connectivity](#) manufacturer:

Other Similar products are found below :

[003-018-000](#) [600858](#) [60403001](#) [60993906-B](#) [60993913-B](#) [629515004020001](#) [M902-2131](#) [M902-2161](#) [M902-2344](#) [72.330.1035.1](#)
[73.353.4028.0](#) [F118010](#) [F119300-B](#) [F132210](#) [F132210-B](#) [F166900](#) [F180100](#) [F258300](#) [F258300-B](#) [F294300-B](#) [F339100](#) [F339700](#) [F358300-](#)
[B](#) [F374110](#) [F407400](#) [F412210](#) [F427600](#) [F444110](#) [F487000](#) [F495100-B](#) [F500900-B](#) [F509500B-B](#) [770444-1](#) [776880-1](#) [827153-1](#) [881735-1](#)
[8N1515-32-24P](#) [9-1326727-8](#) [9-1326729-8](#) [925467-1](#) [925474-1](#) [928905-1](#) [936398-2](#) [964562-1](#) [964562-4](#) [964731-2](#) [965051-1](#) [968782-1](#)
[GT17SA-8DS-HU](#) [GT17VS-10DP-5.2CF](#)