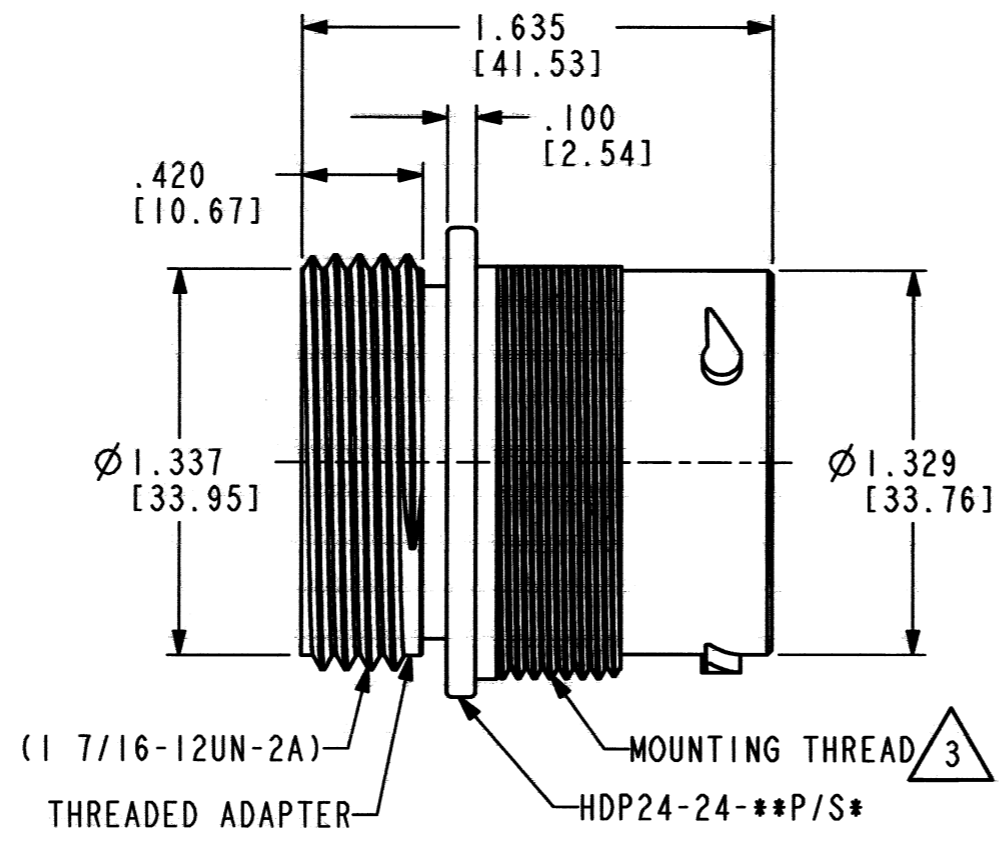
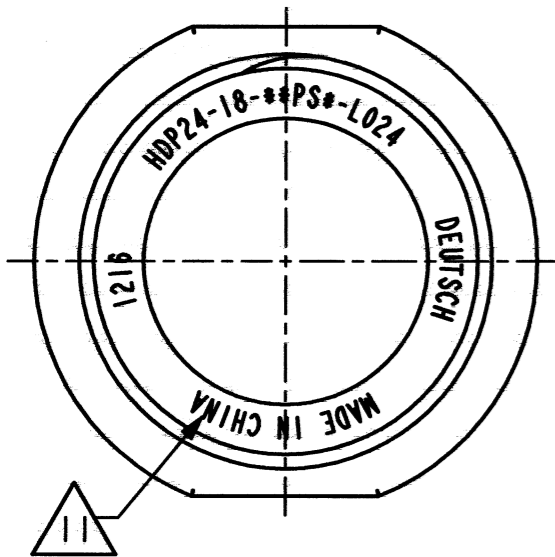
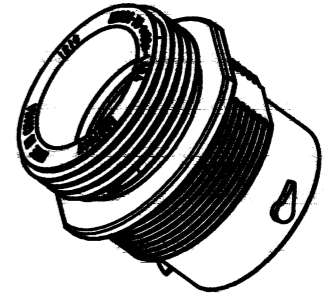
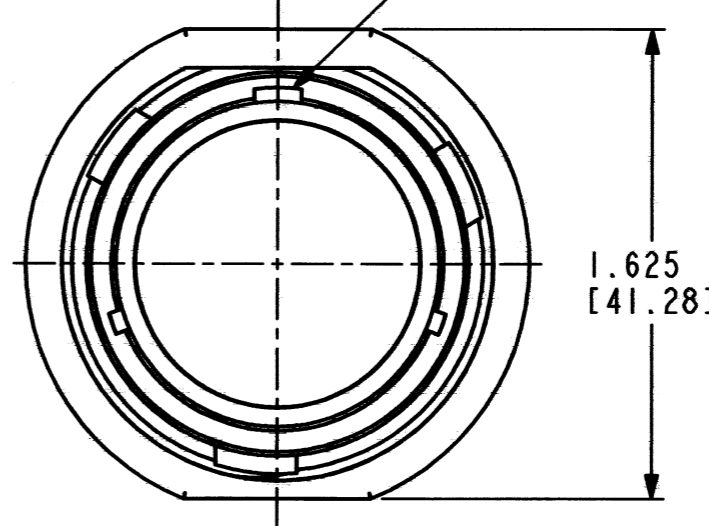


REV  
NC HDP24-18-xxP/S\*-L024

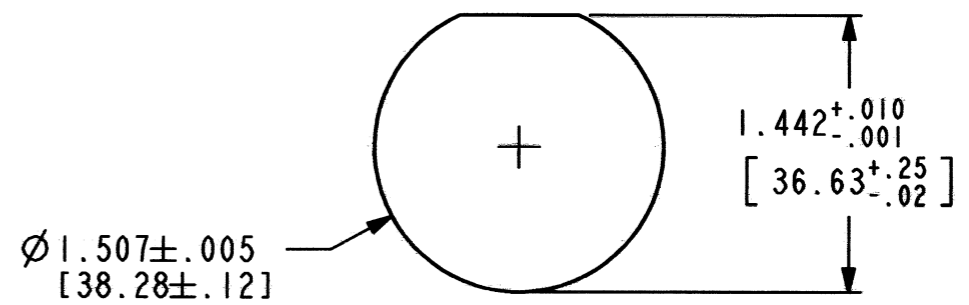
REVISIONS			
SYM	DESCRIPTION	DATE	APPROVED
NC	NEW RELEASE PER E.O. P21416	8/24/12	Dym



MAIN POLARIZING KEYWAY



3D VIEW



5 RECOMMENDED PANEL MOUNTING HOLE

- 9. THIS RECEPTACLE TO BE USED WITH 2414-002-1886 LOCK WASHER AND 2411-002-1805 PANEL NUT.
- 8. THIS RECEPTACLE MATES WITH HDP26-18-xxP/S\*-xxxx (xxxx=ALL MODIFICATIONS)
- 7. DIMENSION TOLERANCE: ±.025 [.63] UNLESS NOTED OTHERWISE.
- 6. ALL DIMENSIONS ARE INCHES [MILLIMETERS].
- 5. RECOMMENDED PANEL THICKNESS: .062(1.57) TO .1875(4.76) MAX.
- 4. THREADED ADAPTER COLOR REFLECTS WIRE SEAL DIAMETER. (GREEN='N' SEAL; GREY='T' SEAL; BLUE='E' SEAL)
- 3. FOR PERFORMANCE, MOUNTING AND APPLICATION CHARACTERISTICS SEE ENVELOPE DRAWING 0425-021-0000.
- 2. FOR CONTACTS AND WIRE PERFORMANCE AND APPLICATION CHARACTERISTICS SEE ENVELOPE DWG. 0425-015-0000.
- 1. FOR CONTACT ARRANGEMENTS, SEE ENVELOPE DRAWING 0425-013-1800.

11 COUNTRY OF ORIGIN IF OTHER THAN USA. EXAMPLE: MADE IN CHINA

10. MATERIAL: SHELL - PLASTIC, SEAL - RUBBER, INSULATION - PLASTIC

SIGNATURE & DATE	
DR	I. GRANTCHAROVA 7/18/12
CHK	[Signature] 8/23/12
PE	[Signature] 8/23/12
APPD	Dym 8/24/12
SCALE	NONE

PLASTIC RECEPTACLE  
CONNECTOR  
BAYONET COUPLING  
HDP SERIES, SIZE 18  
-L024 MOD  
  
ENVELOPE

EP	MATL. CODE	
3850 INDUSTRIAL AVE. HEMET, CA 92545 <b>DEUTSCH</b> INDUSTRIAL		
<b>B</b>	<b>HDP24-18-xxP/S*-L024</b>	
DWG SIZE	CODE 11139	SHEET OF

## X-ON Electronics

Largest Supplier of Electrical and Electronic Components

*Click to view similar products for [Automotive Connectors](#) category:*

*Click to view products by [TE Connectivity](#) manufacturer:*

Other Similar products are found below :

[003-018-000](#) [600858](#) [60403001](#) [60993906-B](#) [60993913-B](#) [629515004020001](#) [M902-2131](#) [M902-2161](#) [M902-2344](#) [72.330.1035.1](#)  
[73.353.4028.0](#) [F118010](#) [F119300-B](#) [F132210](#) [F132210-B](#) [F166900](#) [F180100](#) [F258300](#) [F258300-B](#) [F294300-B](#) [F339100](#) [F339700](#) [F358300-](#)  
[B](#) [F374110](#) [F407400](#) [F412210](#) [F427600](#) [F444110](#) [F487000](#) [F495100-B](#) [F500900-B](#) [F509500B-B](#) [770444-1](#) [776880-1](#) [827153-1](#) [881735-1](#)  
[8N1515-32-24P](#) [9-1326729-8](#) [925467-1](#) [925474-1](#) [928905-1](#) [936398-2](#) [964562-1](#) [964562-4](#) [964731-2](#) [965051-1](#) [968782-1](#) [GT17SA-8DS-](#)  
[HU](#) [GT17VS-10DP-5.2CF](#) [98315-0001](#)