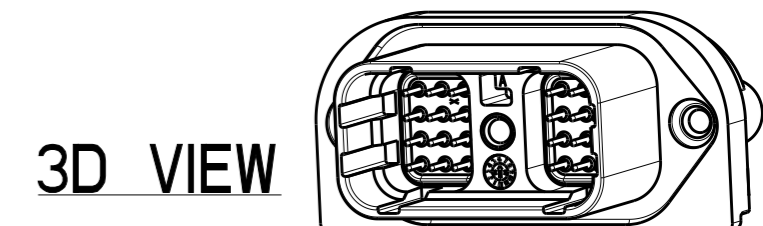
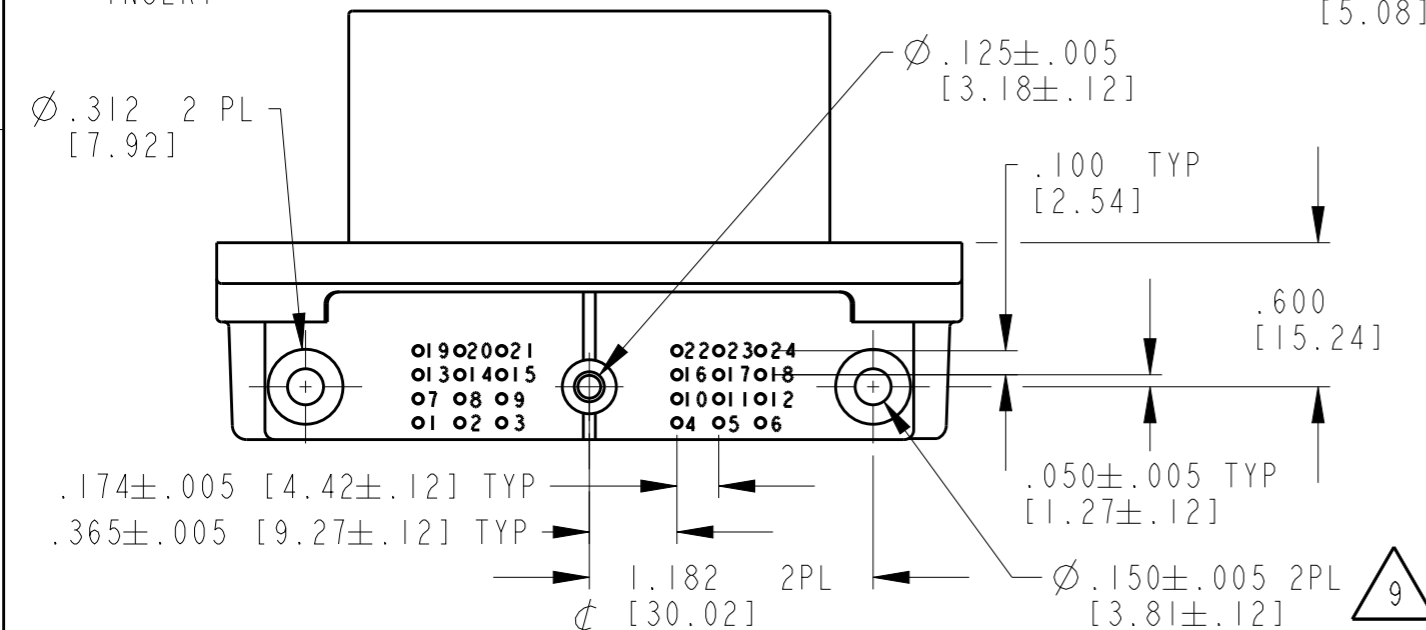
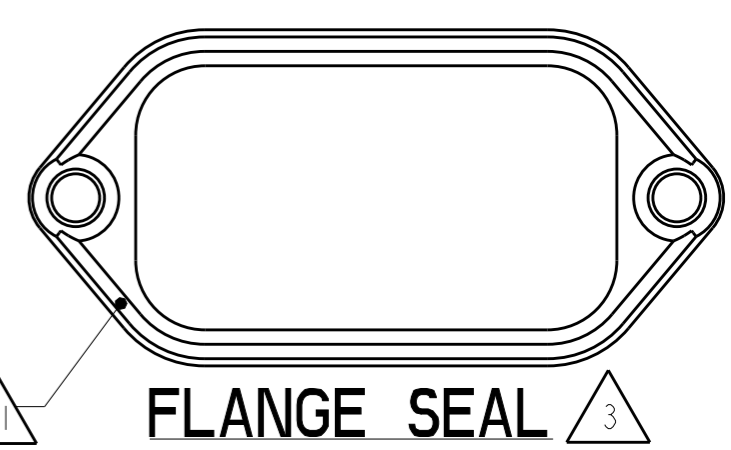
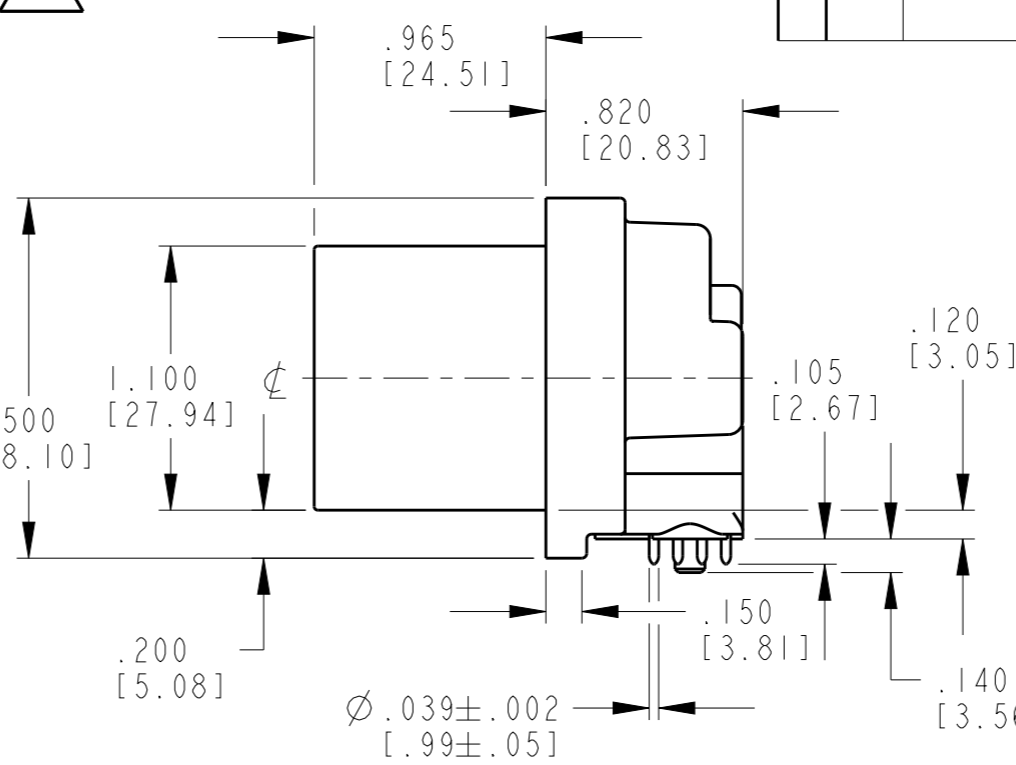
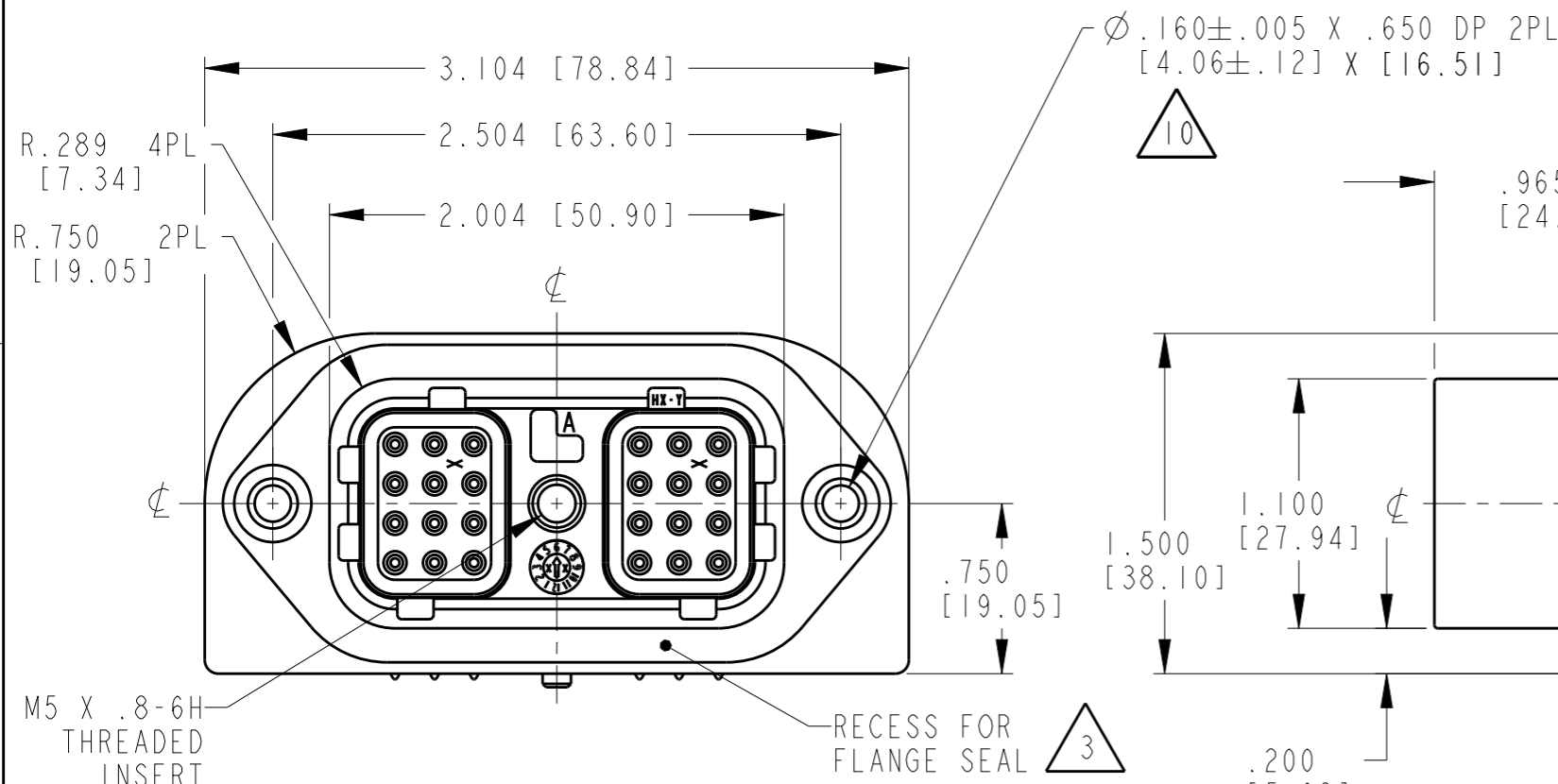


REVISIONS

P	LTR	DESCRIPTION	DATE	DWN	APVD
	A	REVISED PER PCN-E-17-008015	02JUN2017	CM	DM



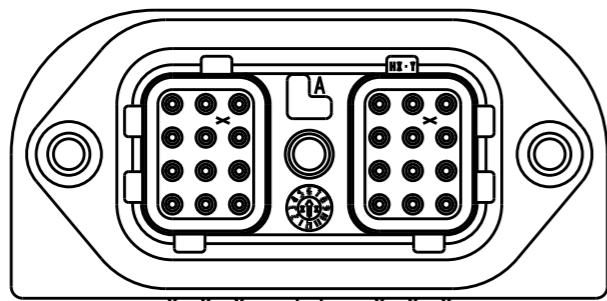
- 12 SURFACE FINISH: 32 RMS OR BETTER; [0.005 [0.12]].
- 11 FULLY SEAT THE FLANGE SEAL IN THE RECESS WITH THE RAISED SEAL FACING OUTWARD.
- 10 RECOMMENDED SCREW: 8-16 [M5 X 2.24] THREAD-FORMING SCREW. TORQUE: 25-30 IN-LB [2.82-3.39 NM].
- 9 RECOMMENDED SCREW: 7-18 [M4.06 X 1.41] THREAD-FORMING SCREW. TORQUE: 10-15 IN-LB [1.13-1.69 NM].
- 8. SEE SHEET 2 FOR OTHER KEY ARRANGEMENTS.
- 7. THIS RECEPTACLE MATES WITH DRC26-24SX-XXXX PLUG (X=A,B,C,D KEYS; XXXX=ALL MODIFICATIONS).

- 6. CONTACT PLATING - MATING SIDE: GOLD; PCB SIDE: TIN.
- 5. MATERIAL - PLASTIC (BLACK); INSERT: STEEL; SEALS: RUBBER.
- 4. RECEPTACLE IS SUPPLIED WITH DUST CAP (NOT SHOWN).
- 3. FLANGE SEAL (P/N 0513-028-2406) IS SHIPPED LOOSE WITH RECEPTACLE.
- 2. DIMENSION TOLERANCE: ±.025 [0.64]; PANEL CUTOUT: ±.010 [0.25].
- 1. DELETED.

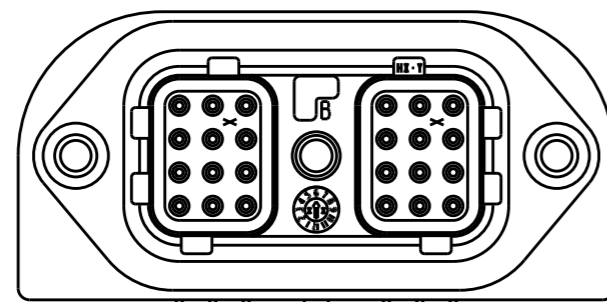
NOTES: UNLESS OTHERWISE SPECIFIED

THIS DRAWING IS A CONTROLLED DOCUMENT.		DWN J APOSTOL 07NOV2000		TE Connectivity	
DIMENSIONS: INCHES [mm]		CHK M PARRELLA 28DEC2000			
TOLERANCES UNLESS OTHERWISE SPECIFIED:		APVD R REED 28DEC2000		NAME RECEPTACLE 24 #20 SIZE CONTACTS KEY ARRANGEMENTS A,B,C AND D DRC SERIES	
0 PLC ± 2 1 PLC ± 2 PLC ± 3 PLC ± 4 PLC ± ANGLES ±		PRODUCT SPEC -		SIZE A3	
MATERIAL 5		APPLICATION SPEC -		CAGE CODE 4AFU8	
FINISH 6		WEIGHT -		DRAWING NO C=DRC23-24PX	
		CUSTOMER DRAWING		RESTRICTED TO -	
		SCALE 1.25:1		SHEET 1 OF 2	
				REV A	

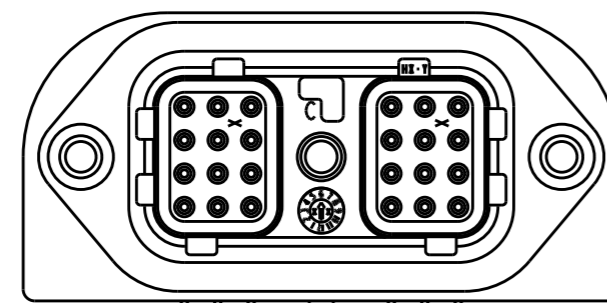
REVISIONS					
P	LTR	DESCRIPTION	DATE	DWN	APVD
	-	SEE SHEET 1	-	-	-



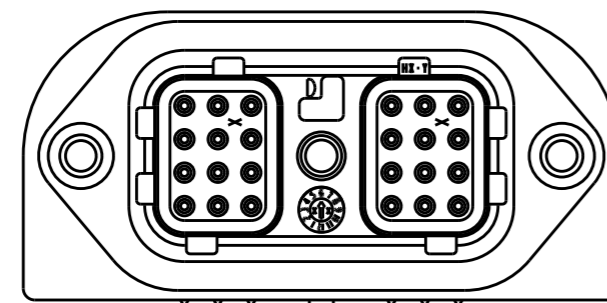
**KEY ARRANGEMENT -A-
DRC23-24PA**



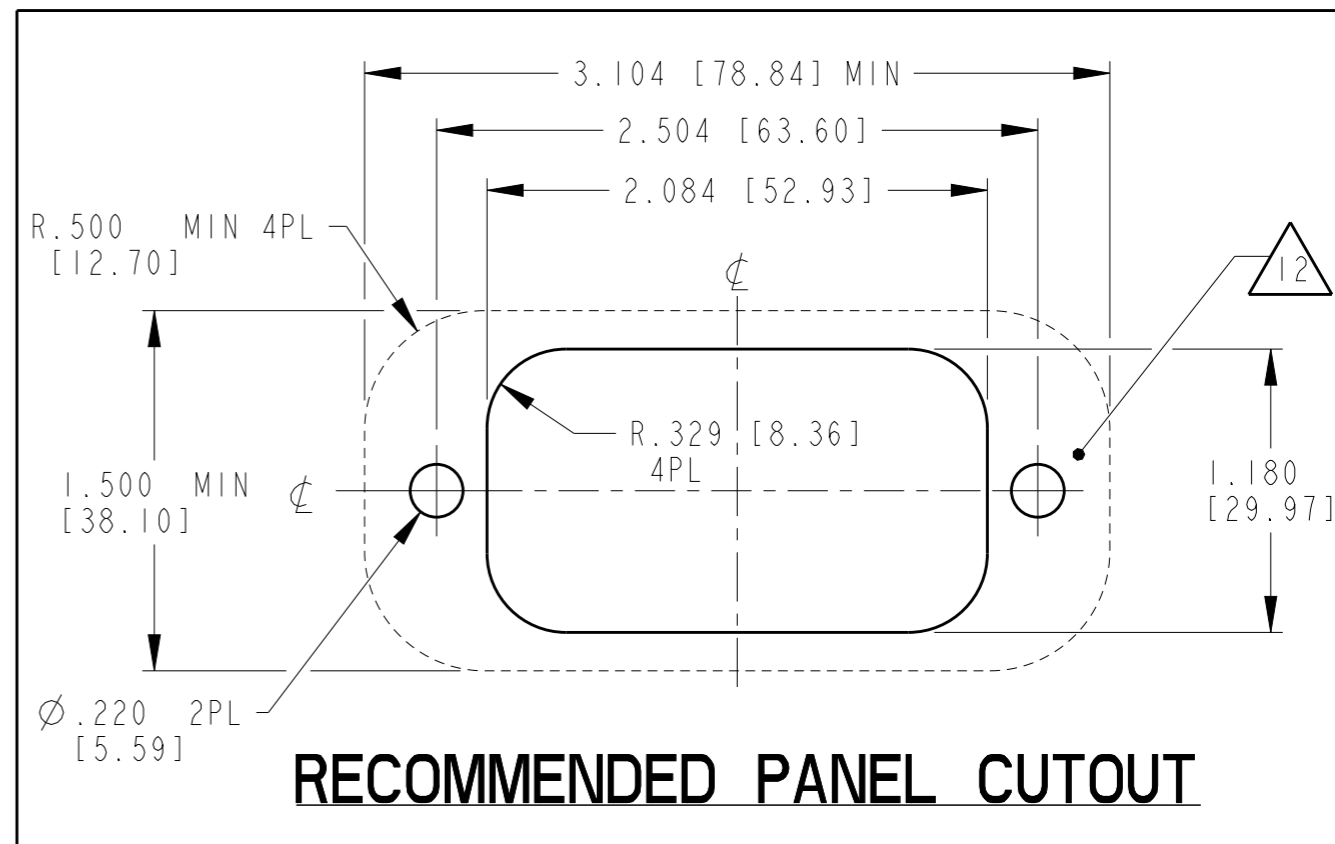
**KEY ARRANGEMENT -B-
DRC23-24PB**



**KEY ARRANGEMENT -C-
DRC23-24PC**



**KEY ARRANGEMENT -D-
DRC23-24PD**



RECOMMENDED PANEL CUTOUT

THIS DRAWING IS A CONTROLLED DOCUMENT.		DWN J APOSTOL 07NOV2000																			
DIMENSIONS: INCHES [mm]		CHK M PARRELLA 28DEC2000																			
TOLERANCES UNLESS OTHERWISE SPECIFIED:		APVD R REED 28DEC2000	NAME RECEPTACLE 24 #20 SIZE CONTACTS KEY ARRANGEMENTS A,B,C AND D DRC SERIES																		
<table border="0"> <tr> <td>0 PLC</td> <td>±</td> <td rowspan="4"> </td> </tr> <tr> <td>1 PLC</td> <td>±</td> </tr> <tr> <td>2 PLC</td> <td>±</td> </tr> <tr> <td>3 PLC</td> <td>±</td> </tr> <tr> <td>4 PLC</td> <td>±</td> <td></td> </tr> <tr> <td>ANGLES</td> <td>±</td> <td></td> </tr> </table>		0 PLC	±		1 PLC	±	2 PLC	±	3 PLC	±	4 PLC	±		ANGLES	±		PRODUCT SPEC -	SIZE A3	CAGE CODE 4AFU8	DRAWING NO DRC23-24PX	RESTRICTED TO -
0 PLC	±																				
1 PLC	±																				
2 PLC	±																				
3 PLC	±																				
4 PLC	±																				
ANGLES	±																				
MATERIAL 	FINISH 	APPLICATION SPEC -	WEIGHT -	SCALE 1:1		SHEET 2 OF 2	REV A														
CUSTOMER DRAWING																					

X-ON Electronics

Largest Supplier of Electrical and Electronic Components

Click to view similar products for [Automotive Connectors](#) category:

Click to view products by [TE Connectivity](#) manufacturer:

Other Similar products are found below :

[003-018-000](#) [600858](#) [60403001](#) [60993906-B](#) [60993913-B](#) [629515004020001](#) [M902-2131](#) [M902-2161](#) [M902-2344](#) [72.330.1035.1](#)
[73.353.4028.0](#) [F118010](#) [F119300-B](#) [F132210](#) [F132210-B](#) [F166900](#) [F180100](#) [F258300](#) [F258300-B](#) [F294300-B](#) [F339100](#) [F339700](#) [F358300-](#)
[B](#) [F374110](#) [F407400](#) [F412210](#) [F427600](#) [F444110](#) [F487000](#) [F495100-B](#) [F500900-B](#) [F509500B-B](#) [770444-1](#) [776880-1](#) [827153-1](#) [881735-1](#)
[8N1515-32-24P](#) [9-1326727-8](#) [9-1326729-8](#) [925467-1](#) [925474-1](#) [928905-1](#) [936398-2](#) [964562-1](#) [964562-4](#) [964731-2](#) [965051-1](#) [968782-1](#)
[GT17SA-8DS-HU](#) [GT17VS-10DP-5.2CF](#)