

LPS69273NT Omni SISO 3G-4G LTE Disk-Puck Antenna

LOW PROFILE SURFACE MOUNT 698-960/1710-2700 MHZ DISK-PUCK ANTENNA

The Laird Patent Pending LPS69273NT antenna is a multiband low profile omnidirectional disk-puck antenna operating over the 698-960 MHz and 1710-2700 MHz frequency bands. Designed to be a surface mount antenna that performs well on metallic and non-metallic* surfaces, the antenna is ideal for use in Machine-to-Machine (M2M) applications. The housing incorporates a low profile, rugged design that conforms to IP67 standards making the antenna suitable for both indoor and outdoor applications.



Patent Pending LPS69273NT

FEATURES

- Low Profile aesthetically neutral housing
- Surface mount with stud & locking nut
- Designed for both Indoor & Outdoor applications
- IP67 rated for harsh environmental applications

BENEFITS

- 3G/4G LTE & Wi-Fi communications in a single solution
- Applicable for both metal and non-metallic* surface

MARKETS

- Machine-to-Machine (M2M)
- LTE & 3G/4G Cellular, Wi-Fi & WLAN
- Utilities, Remote Monitoring, Kiosks & ATMs
- Warehouse, Offices & Meeting rooms
- Hotels, Museums, Libraries & Retail Malls
- Airport, Bus Terminals & Train Stations
- Other In-Building & Outdoor areas

SPECIFICATIONS

PARAMETER	SPECIFICATIONS								
Frequency Bands, MHz	698-806	824-894	880-960	1710-1880	1850-1990	1910-2170	2300-2500	2500-2700	
VSWR (Typ)	<2.7:1	<2.9:1	<2.8:1	<2.1:1	<1.7:1	<1.7:1	<2.3:1	<2.3:1	
VSWR (Max)	<3.0:1	<3.0:1	<3.0:1	<3.0:1	<3.0:1	<3.0:1	<3.0:1	<3.0:1	
Peak Gain, dBi (Typ)									
On Metal Housing	2.1	0.7	1.7	5.4	4.6	4.5	3.4	3.7	
On Plastic Housing w/ Ground Plane Kit	2.4	1.1	2.3	5.5	4.4	4.0	3.8	3.8	
Peak Gain, dBi (Max)									
On Metal Housing	2.5	1.1	2.3	5.9	4.8	4.9	3.8	4.0	
On Plastic Housing w/ Ground Plane Kit	2.9	1.4	3.1	5.9	5.3	4.3	4.4	4.3	
Nominal Impedance	50Ω								
Polarization	Linear, Vertical								
Azimuth Beam Width	Omnidirectional								
Max Power (ambient temp of 25°C)	10 Watts								
Dimensions (diameter x height)	Ø127mm X 31mm (Ø 5" X 1.22")								
Weight	Approximately 0.20 kg (0.44 lbs.)								
Antenna Color / Radome	Black / PC, UV Stable, UL94 V-0 Material								
Storage Temperature Range (°C)	-40°C to +85°C (-40°F to +185°F)								
Operational Temperature Range (°C)	-30°C to +70°C (-22°F to +158°F)								
Ingress Protection Rating	IP67								
RoHS Compliance	Yes								
Cable Type	RG316								

* Requires a 300mm diameter Ground Plane Kit (order separately with P/N HKIT-LPx-001)

CONNECTORS

MODEL NUMBER	CABLE LENGTH	CONNECTOR
LPS69273NT-61SMAM	610 mm (24 in)	SMA- male
LPS69273NT-61RTNM	610 mm (24 in)	RTNC- male

Americas: +1.847 839.6907
IAS-AmericasEastSales@lairdtech.com

Europe: +44.1628.858941
IAS-EUSales@lairdtech.com

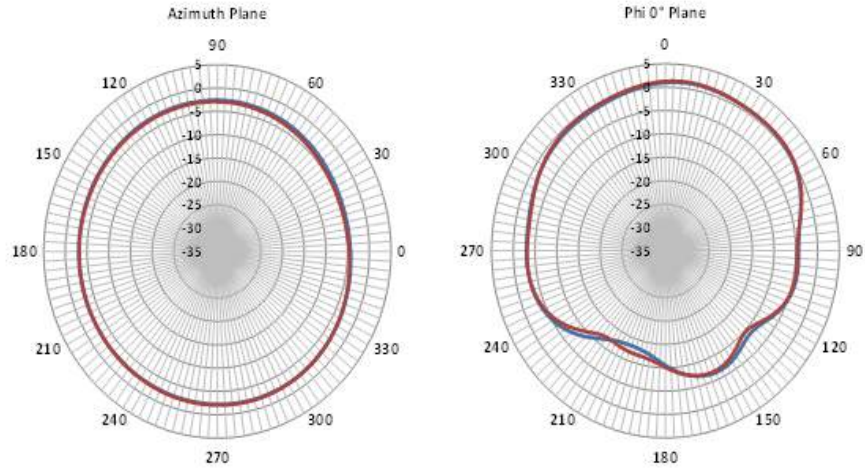
Asia:+86.21.5855.0827.127 IAS-
AsiaSales@lairdtech.com

www.lairdtech.com

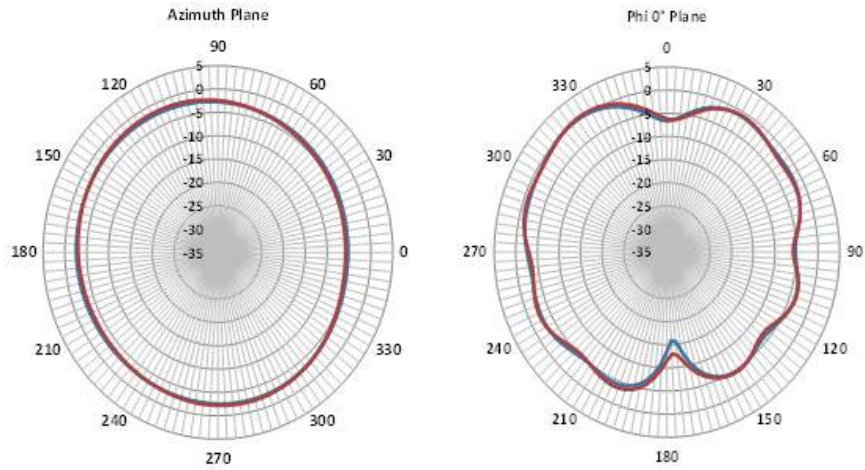
Laird warrants to the original end user customer of its products that its products are free from defects in material and workmanship. Subject to conditions and limitations Laird will, at its option, either repair or replace any part of its products that prove defective by reason of improper workmanship or materials. This limited warranty is in force for the useful lifetime of the original end product into which the Laird product is installed. Useful lifetime of the original end product may vary but is not to exceed five (5) years from the original date of the end product purchase.



Radiation Pattern at 698 MHz

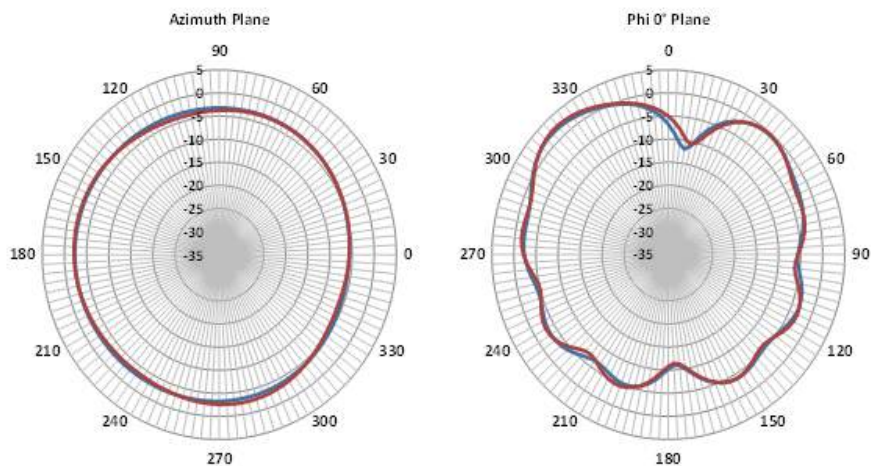


Radiation Pattern at 880 MHz

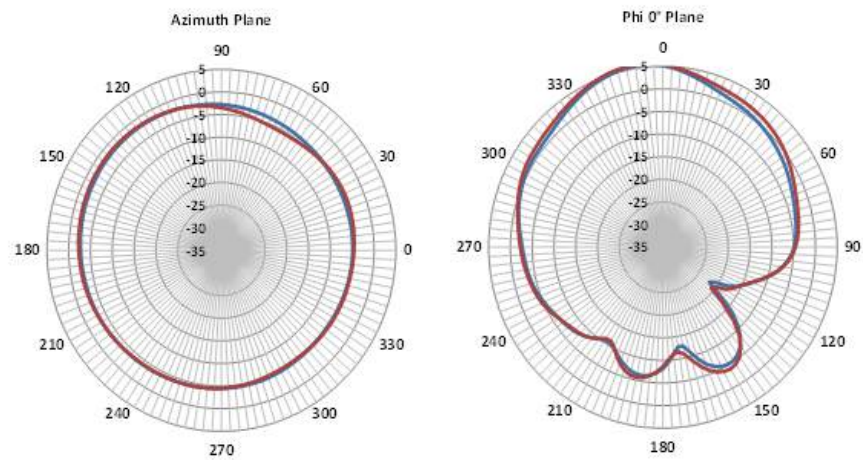


— On metal housing
— On plastic housing with ground plane kit

Radiation Pattern at 960 MHz

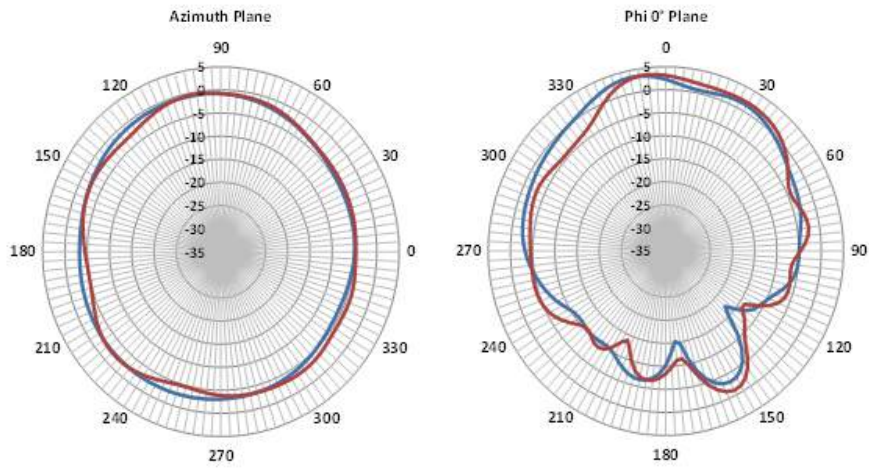


Radiation Pattern at 1710 MHz

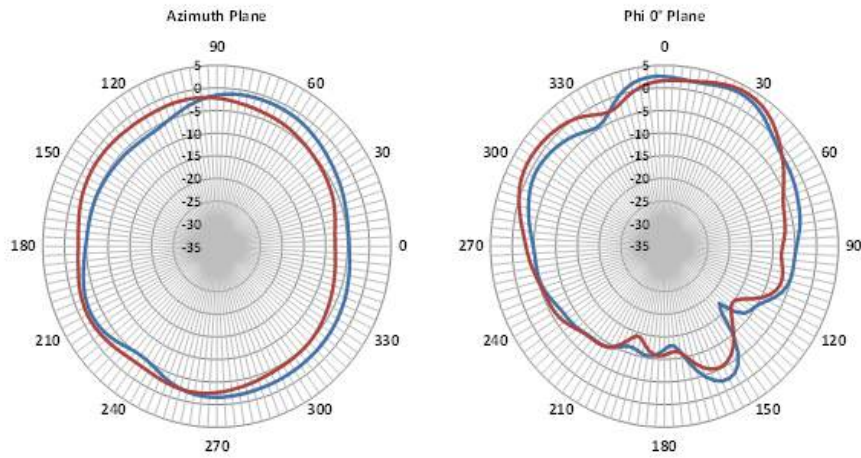


— On metal housing
— On plastic housing with ground plane kit

Radiation Pattern at 1950 MHz

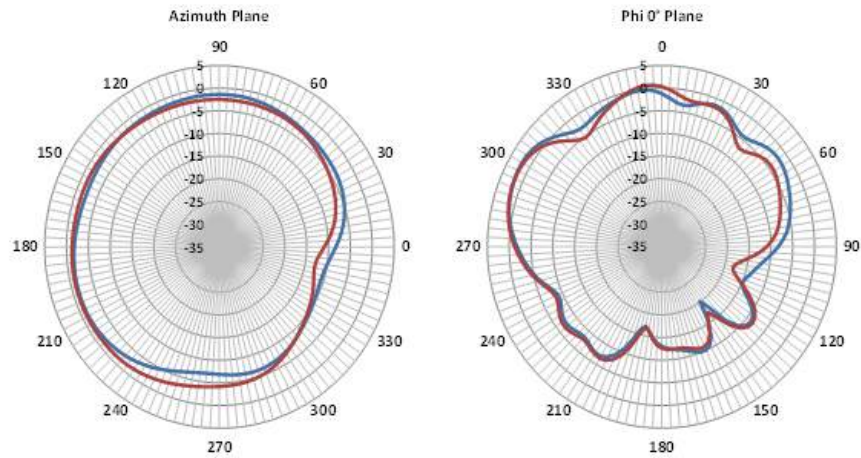


Radiation Pattern at 2170 MHz

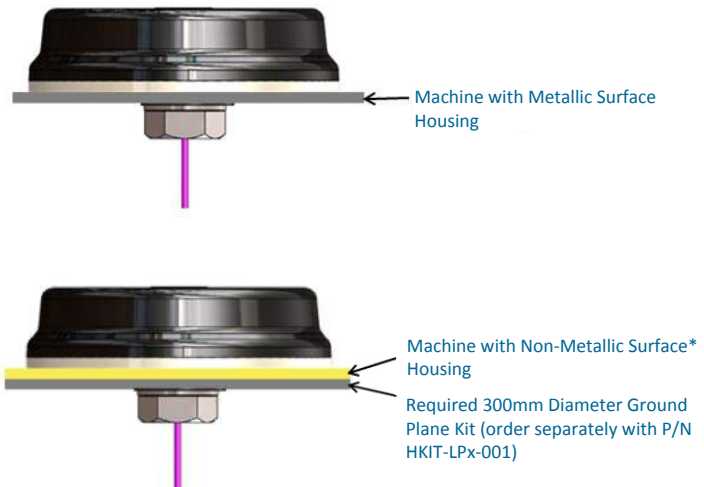
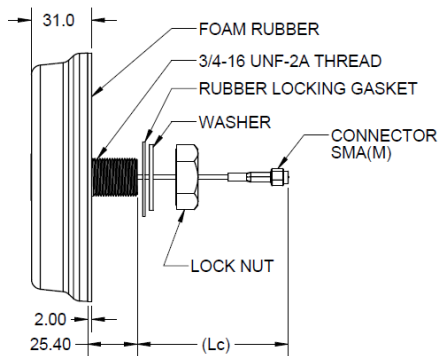


— On metal housing
— On plastic housing with ground plane kit

Radiation Pattern at 2700 MHz



HOUSING CONFIGURATIONS



Americas: +1.847.839.6907
IAS-AmericasEastSales@lairdtech.com
Europe: +44.1628.858941
IAS-EUSales@lairdtech.com
Asia: +86.21.5855.0827.127 IAS-
AsiaSales@lairdtech.com
www.lairdtech.com

ANT-DS-LPS69273NT_0815

Any information furnished by Laird Inc. and its agents is believed to be accurate and reliable. All specifications are subject to change without notice. Responsibility for the use and application of Laird materials rests with the end user, since Laird and its agents cannot be aware of all potential uses. Laird makes no warranties as to the fitness, merchantability or suitability of any Laird materials or products for any specific or general uses. Laird shall not be liable for incidental or consequential damages of any kind. All Laird products are sold pursuant to the Laird Terms and Conditions of sale in effect from time to time, a copy of which will be furnished upon request. © Copyright 2015 Laird Inc. All Rights Reserved. Laird, Laird Technologies, the Laird Logo, and other marks are trade marks or registered trade marks of Laird Inc. or an affiliate company thereof. Other product or service names may be the property of third parties. Nothing herein provides a license under any Laird or any third party intellectual property rights.

X-ON Electronics

Largest Supplier of Electrical and Electronic Components

Click to view similar products for [Antennas](#) category:

Click to view products by [Laird Connectivity](#) manufacturer:

Other Similar products are found below :

[CCT FM1](#) [ABFT](#) [AD-NM-SMAF 001-0021](#) [CTC110](#) [MAF94149](#) [EXE902SF](#) [MMCX-SMA-100](#) [PDQ24496-91NF](#) [GAN30084EU](#) [930-033-R](#) [A08-HABUF-P5I](#) [AAF95035](#) [DG-ANT-20DP-BG-B](#) [APAMPGJ-141](#) [1513563-1](#) [OF86315-FNF](#) [OP24516DS-91NM](#) [A09-HASM-7](#) [EXE902MD](#) [EXE902SM](#) [SPDA17806/2170LAR](#) [APAMPG-117](#) [GPS1575SP26-004](#) [GPS15MGSMA](#) [CMD69273P-30NF](#) [CMQ69273-30NF](#) [RD2458-5-OTDR-NM](#) [RD2458-5-RSMA](#) [TRAB24/49003](#) [W4120ER5000](#) [W6102B0100](#) [YE572113-30RSMM](#) [108-00014-50](#) [SPDA17RP918](#) [OP24516SX-91NM](#) [OP24516SX-91RSMM](#) [CMQ69273P-30NF](#) [CMS69273-30NF](#) [CMS69273P-30NF](#) [TRAB24003N](#) [TRAB24003NP](#) [TRAB8213NP](#) [TRAB8903](#) [A09-Y8NF](#) [A09-Y11NF](#) [A09-HSM-7](#) [A09-F8NF-M](#) [A09-F5NF-M](#)