

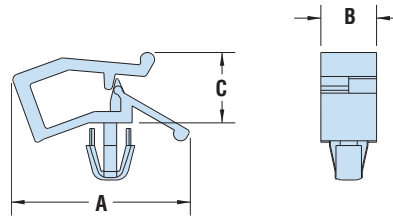


## HEYClip™ Shorty Side Entry Cable Holders Arrowhead Mount

- For Top Entry Shorty Cable Holders, see page 7-53.
- Ideal when space is restricted and side entry is required.

WIRE CAPACITY		PART NO. Natural	DESCRIPTION	PART DIMENSIONS						MOUNTING HOLE DIA.	
in.	mm.			A Length		B Width		C Height		in.	mm.
For Panels from .047" (1,2 mm) to .078" (2,0 mm) Thick											
.11 x .17	2,8 x 4,2	12130	CH SE-1117	.52	13,2	.20	5,0	.19	4,7	.138	3,5
.17 x .22	4,3 x 5,5	12131	CH SE-1722	.59	15,1	.20	5,0	.26	6,7		
For Panels from .062" (1,6 mm) to .094" (2,4 mm) Thick											
.10 x .17	2,6 x 4,2	12133	CH SE-1017	.50	12,7	.20	5,0	.21	5,3	.138	3,5

Standard color natural. Flame retardant UL 94V-0 material available, consult Heyco.



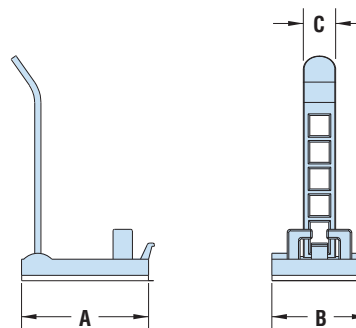
## HEYClip™ Ladder Cable Holders Adhesive Back Mount

- Adjustable design secures wire bundles.
- Applies simply to clean dry surface.



MAXIMUM BUNDLE DIAMETER		PART NO. Natural	DESCRIPTION	PART DIMENSIONS						MOUNTING HOLE DIA.	
in.	mm.			A Length		B Width		C Ladder Width		in.	mm.
.47	12,0	12360	CH LAD-047	.79	20,0	.59	15,0	.20	5,0	.133	3,4
.77	19,5	12361	CH LAD-077								
.51	13,0	12362	CH LAD-051	.98	25,0	.71	18,0	.31	8,0	.138	3,5
.67	17,0	12363	CH LAD-067								
.73	18,5	12364	CH LAD-073								
.87	22,0	12365	CH LAD-087								
1.02	26,0	12367	CH LAD-102	1.20	30,5	.83	21,0	.47	12,0		

Standard color natural.



Quick  
Specs

Material	Nylon 6/6
Flammability Rating	94V-2
Temperature Range	32°F (0°C) to 185°F (85°C)

## X-ON Electronics

Largest Supplier of Electrical and Electronic Components

*Click to view similar products for [Non-Heat Shrink Tubing and Sleeves](#) category:*

*Click to view products by [Heyco](#) manufacturer:*

Other Similar products are found below :

[601203-000](#) [CTA-0053](#) [8429-9](#) [8445-7.5](#) [8450](#) [120-116-1-1-09BE](#) [120-116-1-1-09BF](#) [120-116-1-1-09BP](#) [120-116-1-1-12BE](#) [120-116-1-1-12BP](#) [120-123-06](#) [120-123-10](#) [120-125-12BL](#) [120-125-12R](#) [120-125-20R](#) [120-126-09](#) [120-126-09BL](#) [120-126-12](#) [120-126-12BL](#) [120-126-52](#) [120-126-52BL](#) [120-104-12](#) [120-105-1-1-06BE](#) [120-105-1-1-06CE](#) [120-108-10B](#) [120-116-1-1-06BP](#) [120-116-1-1-10BP](#) [120-116-1-1-12BF](#) [120-123-12](#) [120-125-09](#) [120-125-12](#) [120-125-12Y](#) [120-125-52BL](#) [120-S002-12](#) [HC1B-7008-0375-0](#) [120-S001-09](#) [120-S002-09](#) [121-101-1-1-56BFC](#) [121-101-1-1-64BFC](#) [121-103-1-1-12BFTTH](#) [RAY-90-3.0\(100\)](#) [20675-2](#) [8S42-100FR-CS8184](#) [SAS-115-1-1048-1X](#) [SAS-160-1-1048-1X](#) [RAY-103-10.0\(100\)](#) [RAY-103-4.0\(100\)](#) [4627-S](#) [3-1991136-0](#) [561-SL1000PP](#)