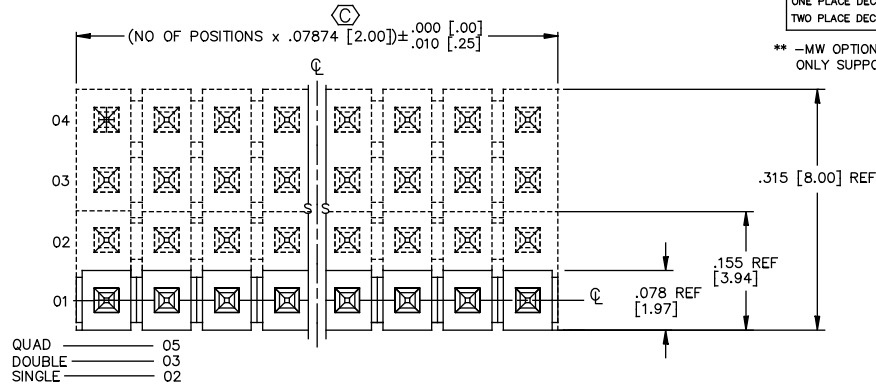


FIG. 1

DIMENSIONS ARE IN INCHES UNLESS OTHERWISE NOTED		TOLERANCES ARE:	TITLE: 2mm TERMINAL STRIP ASSEMBLY	DWG NO: TMM-1XX-XX-XX-X-XX-XXX
ONE PLACE DECIMALS ±.1[2.5]	THREE PLACE DECIMALS ±.005 [.13]	ANGLES ± 2°		
TWO PLACE DECIMALS ±.01[.25]	FOUR PLACE DECIMALS ±.0020[.05]			SHEET 1 OF 2

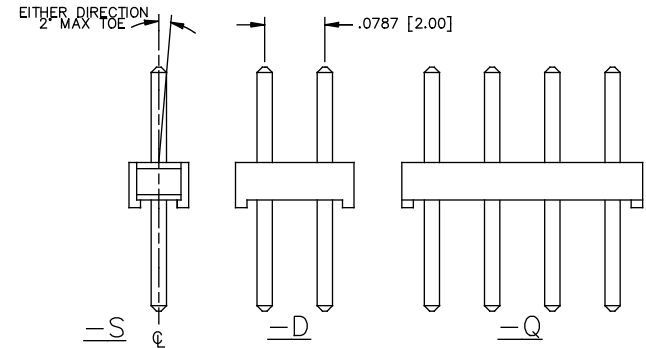
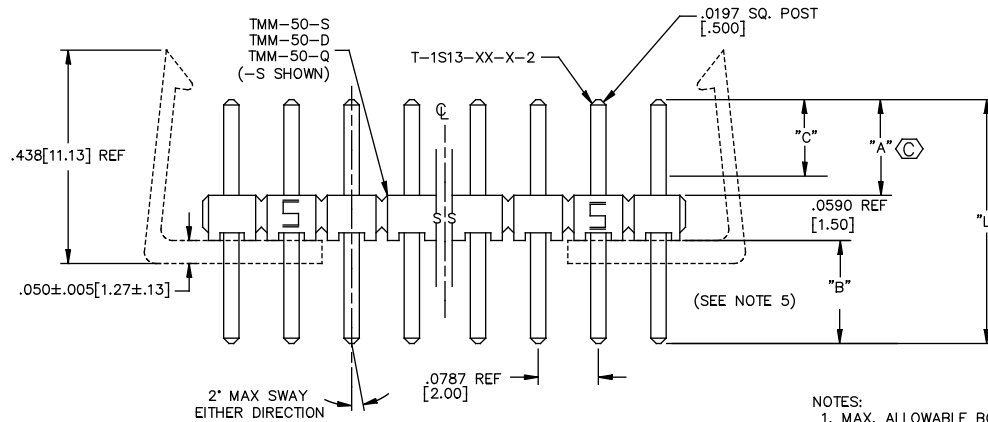


\*\* -MW OPTION, DO NOT DESIGN IN. SAMTEC WILL ONLY SUPPORT EXISTING BUSINESS 2/05/02.

TMM-1XX-XX-XX-X-XX-XXX  
 NO. OF POSITIONS -01 THRU -50  
 TERMINAL SPEC SEE TABLE 1  
 OPTION POLARIZATION SPECIFY POS -XXX AS POS TO BE OMITTED  
 OPTION \*\* -MW: METAL WASHER (-D & -Q BODY SPECS ONLY) (SEE FIG. 2, SHIT. 2) (30 POS PER ROW MAX) (SEE TABLE 2 PAGE 2)  
 -RC: RETAINING CLIP FOR IDC USE LTC-09, DOUBLE ROW ONLY, REQUIRES 4 POSITIONS MINIMUM, NOT FOR USE WITH -MW OPTION, SEE NOTES 9 & 10.

PLATING SPECIFICATION  
 -G: 20µ" GOLD IN THE CONTACT AREA, 3µ" GOLD ON TAIL  
 -T: MATTE TIN CONTACT AND TAIL  
 -S: 30µ" SELECTIVE GOLD IN CONTACT AREA, MATTE TIN ON TAIL  
 -L: 10µ" GOLD IN THE CONTACT AREA, MATTE TIN ON TAIL  
 -F: 3µ" FLASH SELECTIVE GOLD IN CONTACT AREA, MATTE TIN ON TAIL  
 -H: 30µ" HEAVY GOLD IN CONTACT AREA, 3µ" ON TAIL  
 -SM: 30µ" SELECTIVE GOLD IN CONTACT AREA, MATTE TIN ON TAIL  
 -TM: MATTE TIN CONTACT AND TAIL  
 -LM: 10µ" GOLD IN THE CONTACT AREA, MATTE TIN ON TAIL  
 -FM: 3µ" FLASH SELECTIVE GOLD IN CONTACT AREA, MATTE TIN ON TAIL

BODY SPECIFICATION  
 -S: SINGLE (TMM-50-S)  
 -D: DOUBLE (TMM-50-D)  
 -Q: QUAD (TMM-50-Q)



- NOTES:  
 1. MAX. ALLOWABLE BOW: .005 IN/IN [mm/mm] AFTER ASSEMBLY.  
 2. MAX. PIN ROTATION IN BODY: 2°  
 3. PUSHOUT FORCE SHALL BE 1 lb MIN.  
 4. Ⓢ REPRESENTS A CRITICAL DIMENSION.  
 5. TAIL WILL BE SHEARED ON -04 & -05, REFERENCE TABLE 1.  
 6. MAX CUT FLASH .010 [.25].  
 7. MAX SHEAR BURR .003 [.08].  
 8. ORIENTATE PINS TO PREVENT BANDOLIER MARKS FROM SHOWING IN THE POST AREA. (SEE TABLE 3)  
 9. APPROVED FOR WAVE SOLDER APPLICATION ONLY.  
 10. RETAINING CLIP FOR -06 LEAD STYLE ONLY.

TABLE 1

SUFFIX	TERMINAL	POST "A" IN.[MM]	TAIL "B" IN.[MM]	CONTACT AREA "C" IN.[MM]	STRAIGHT "L" (OVERALL LENGTH)
-01	T-1S13-20-XX-2	.126 [3.20]	.138 [3.50] REF	.100 [2.54] REF	.323 [8.20] REF
-02	T-1S13-20-XX-2	.146 [3.70]	.118 [3.00] REF	.100 [2.54] REF	.323 [8.20] REF
-03	T-1S13-20-XX-2	.158 [4.00]	.106 [2.70] REF	.100 [2.54] REF	.323 [8.20] REF
-04	T-1S13-20-XX-2	.075 [1.90]	.090±.010 [2.29±.25] (SEE NOTE 5)	.100 [2.54] REF	.323 [8.20] REF "BEFORE SHEAR"
-05	T-1S13-21-XX-2	.065 [1.65]	.090±.010 [2.29±.25] (SEE NOTE 5)	.080 [2.03] REF	.323 [8.20] REF "BEFORE SHEAR"
-06	T-1S13-02-XX-2	.126 [3.20]	.192 [4.88] REF	.100 [2.54] REF	.377 [9.58] REF

PROPRIETARY NOTE  
 THIS DOCUMENT CONTAINS CONFIDENTIAL AND PROPRIETARY INFORMATION AND ALL RIGHTS ARE RESERVED BY SAMTEC, INC. THIS DOCUMENT SHALL NOT BE DISCLOSED, REPRODUCED, COPIED, REPRODUCED, TRANSMITTED OR IN ANY MANNER WITHOUT THE EXPRESS WRITTEN CONSENT OF SAMTEC, INC.

MATERIAL:  
 BODIES:  
 LIQUID CRYSTAL POLYMER  
 COLOR: BLACK  
 TERMINALS:  
 PHOSPHOR BRONZE, ALLOY

EXISPROD\ASSEMBLY\2MM TMM-ASM

**samtec**

520 PARK EAST BLVD. NEW ALBANY, INDIANA 47150  
 PHONE (812) 944-6733 P.O. BOX 1147  
 CODE 55322

MADE BY: REIDINGER 11-2-90

TMM-1XX-XX-XX-X-XX-XXX  
 SHEET 1 OF 2

## X-ON Electronics

Largest Supplier of Electrical and Electronic Components

*Click to view similar products for [Headers & Wire Housings](#) category:*

*Click to view products by [Samtec](#) manufacturer:*

Other Similar products are found below :

[95000-104TRLF](#) [10135584-644402LF](#) [DF62W-EP2022PCA](#) [95000-106TRLF](#) [DF62W-2022SCA](#) [DF62W-EP2022PC](#) [2203348](#) [DF62W-2022SC](#) [1084018](#) [1029039](#) [1084017](#) [802-10-012-10-002000](#) [1112640](#) [1112639](#) [000-34000](#) [0009482033](#) [0009507031](#) [57102-S06-03LF](#) [57202-S52-04LF](#) [PCN6-15S-2.5E](#) [0039019024](#) [58102-G61-06LF](#) [582553-1](#) [0009485154](#) [0009508121](#) [0022285053](#) [0050291907](#) [018731A](#) [LY20-4P-DT1-P1E-BR](#) [02.125.8002.8](#) [60101931](#) [60598-1 \(Cut Strip\)](#) [M1625-3R/100](#) [61062-3](#) [61082-181009](#) [636-1427](#) [638009-1](#) [641938-9](#) [641991-4](#) [644168-1](#) [647662-1](#) [65039-019ELF](#) [65817-002LF](#) [65817-015LF](#) [65863-015LF](#) [66207-023LF](#) [67016-026LF](#) [67046-001LF](#) [67095-007LF](#) [67230-005LF](#)