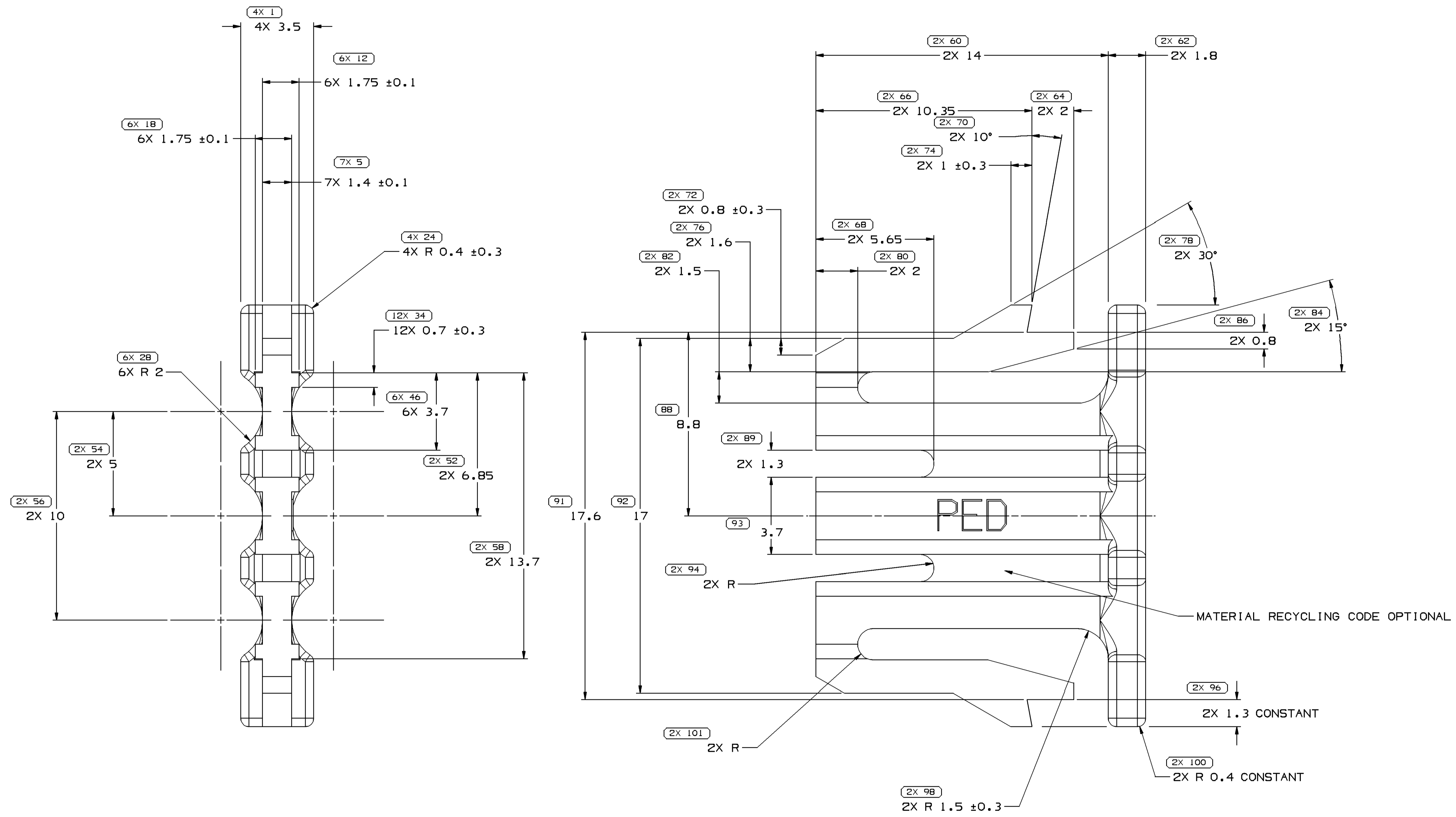
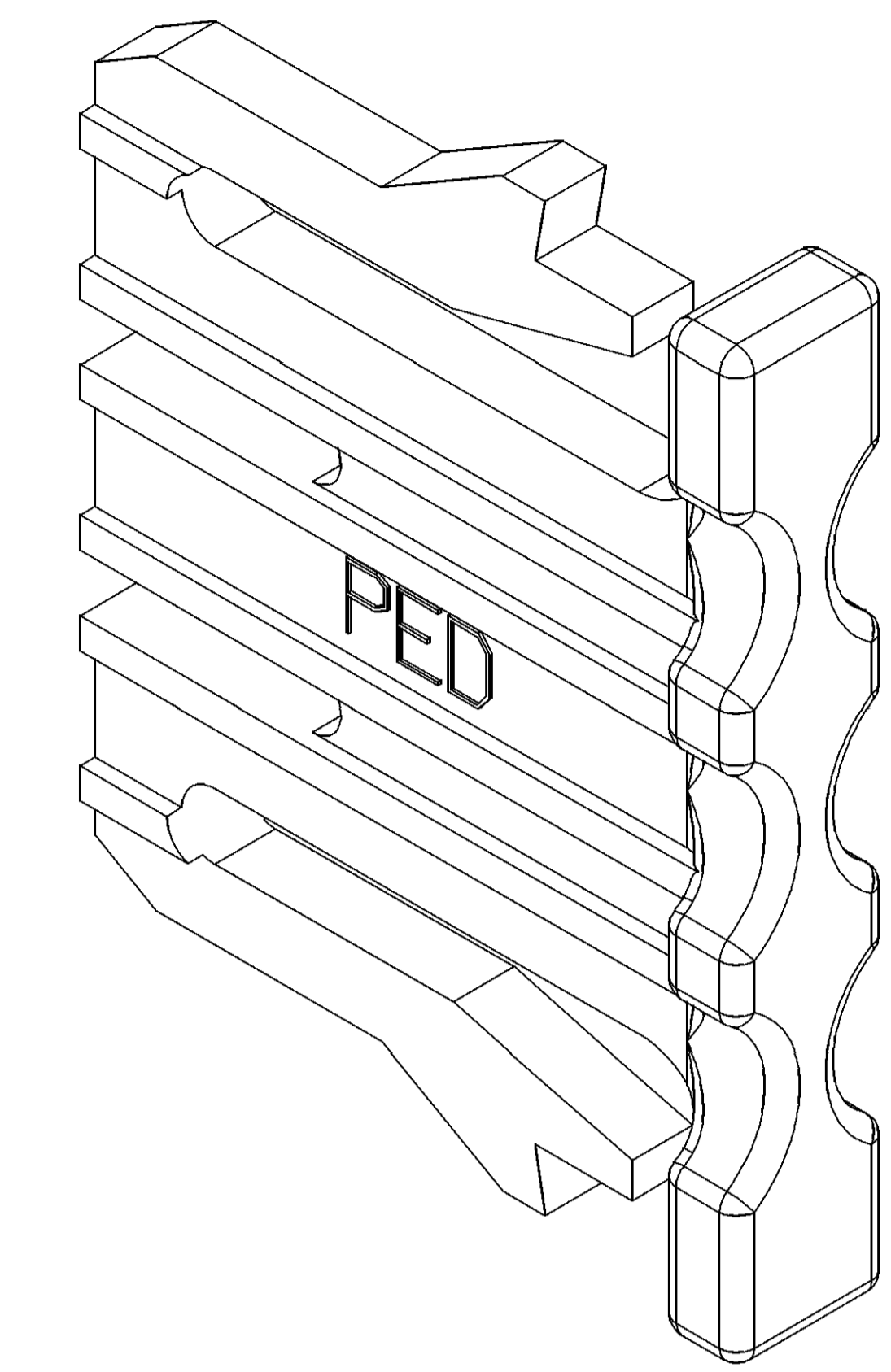
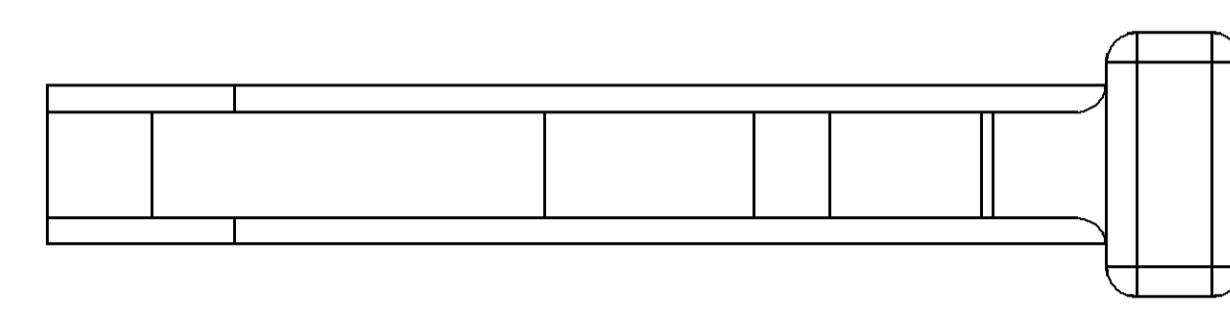


SYMBOL DEFINITION		TOTAL NO OF INSPECTIONS REQUIRED		MISSING SYMBOLS		DATE		DWG STATUS		REVISION HISTORY		AUTH		DR		AP/VD	
A DIMENSION WITHOUT AN INSPECTION REPORT SYMBOL DOES NOT REQUIRE INSPECTION. IT MAY BE CONTROLLED ON THE INDIVIDUAL COMPONENT DRAWING.		104		2-4 6-11 13-17 19-23 25-27 29-33 35-45		04M104		R C3 - -		REDRAWN AND UPDATED PDM ATTRIBUTES		254627		ADK BRB TM			
LAST NO. USED		104		47-51 53 55 57 59 61 63 65 67 69 71 73 75 77 79 81 83 85 87 90 95 97 99 102-103		100C07		R C4 - -		UPDATED PDM ATTRIBUTES		402421		WHC WHC WTM M			



- NOTES
- UNLESS OTHERWISE SPECIFIED AND/OR INDICATED: DIMENSIONS ARE TO FACE OF VIEW SHOWN AND AUTOMATICALLY ROUNDED BY COMPUTER FOR INSPECTION. (SEE MATH MODEL FOR PRECISE DIMENSIONS.) FOR ALL OTHER DIMENSIONS NOT SHOWN BUT REQUIRED FOR TOOL BUILD, SEE MATH MODEL FOR PRECISE TOOL PATH DATA.
  - MATING COMPONENTS OR EQUIVALENT: CONNECTOR 121294B9
  - (1.5)X(0.1) PED CORPORATE BRAND TO BE LOCATED ON ANY EXTERIOR SURFACE, PREFERABLY VISIBLE AT FINAL ASSEMBLY. OPTIONAL CONSTRUCTION FOR NEW TOOLING TO BE "DELPHI"
  - MATERIAL RECYCLING CODE PER ISO 11469. (1.5)X(0.1) CHARACTERS AS SHOWN TO BE LOCATED ON ANY EXTERIOR SURFACE.

PART DRAWING					
VOLUME 104/P	DISTR CODE				
0,387	D				
UNLESS OTHERWISE SPECIFIED					
THIS DOCUMENT IS IN ACCORDANCE WITH ASME Y14.5M-1994 AS MODIFIED BY THE 3M DIMENSIONAL DIMENSIONING AND TOLERANCE PRACTICE (1997). ALL DIMENSIONS UNLESS OTHERWISE SPECIFIED ARE IN MILLIMETERS. DIMENSIONS ARE TO UNLESS OTHERWISE SPECIFIED.					
DIMENSIONAL RANGE TUMI CHART E					
FROM	0	> 20	> 30	> 70	> 100
TO	20	30	70	100	> 100
TOLERANCE UNLESS OTHERWISE SPECIFIED					
±0.15	±0.2	±0.3	±0.4	±0.5	ANGULAR TOLERANCE ±2°
THIRD ANGLE PROJECTION		DO NOT SCALE	USE MATH DATA		

**DELPHI**  
DELPHI PACKARD ELECTRICAL/ELECTRONIC ARCHITECTURE  
WYREN, OH

DR	DATE				
APV01 JHNON M. SOVA	17AP91				
APV02 T. MUDREY	07NO91				
APV03 R. PETROSKY	07NO91				
APV04					
APV05					
SUBSTANCES OF CONCERN AND RECYCLED CONTENT PER DELPHI 10949001					
MATERIAL POLYAMIDE COMPOUND GRAY					
DRAWING NAME					
LOCK SECONDARY TPA M/P GRA LT					
DRAWING NUMBER					
12129491					
SIZE AD	SCALE 10:1	FRAME NO 1 OF 1	SHEET NO 1 OF 1	REV R	N/P C4

Doc: 031982-01-C0501-301 Date: 17-Dec-07 Time: 09:56

## X-ON Electronics

Largest Supplier of Electrical and Electronic Components

*Click to view similar products for [Automotive Connectors](#) category:*

*Click to view products by [Delphi](#) manufacturer:*

Other Similar products are found below :

[003-018-000](#) [600858](#) [60403001](#) [60993906-B](#) [60993913-B](#) [629515004020001](#) [M902-2131](#) [M902-2161](#) [M902-2344](#) [72.330.1035.1](#)  
[73.353.4028.0](#) [F118010](#) [F119300-B](#) [F132210](#) [F132210-B](#) [F166900](#) [F180100](#) [F258300](#) [F258300-B](#) [F294300-B](#) [F339100](#) [F339700](#) [F358300-](#)  
[B](#) [F374110](#) [F407400](#) [F412210](#) [F427600](#) [F444110](#) [F487000](#) [F495100-B](#) [F500900-B](#) [F509500B-B](#) [770444-1](#) [776880-1](#) [827153-1](#) [881735-1](#)  
[8N1515-32-24P](#) [9-1326727-8](#) [9-1326729-8](#) [925467-1](#) [925474-1](#) [928905-1](#) [936398-2](#) [964562-1](#) [964562-4](#) [964731-2](#) [965051-1](#) [968782-1](#)  
[GT17SA-8DS-HU](#) [GT17VS-10DP-5.2CF](#)