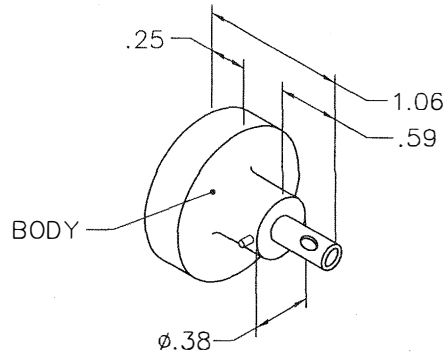
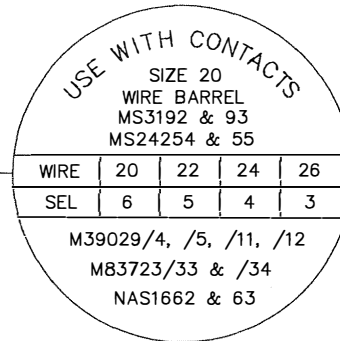
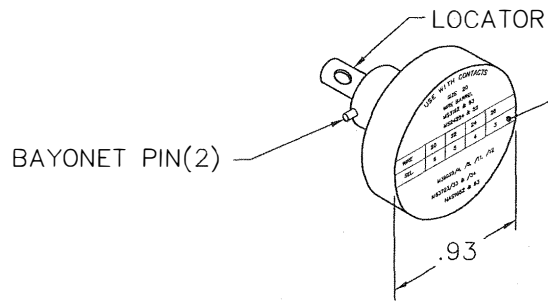


REVISIONS				
REV. SYM.	E.C.O. NUMBER	DESCRIPTION	BY DATE	APP'D DATE
2		ADDED CHART	JWJ 4/18/03	RRR 4/18/03
3		THRU WAS .800	TD 3/18/11	



NOTE: FOR USE WITH DANIELS CRIMP TOOLS ACCOMMODATING "86" SERIES POSITIONERS



LOCATOR	
HOLE DIMENSIONS	ADDITIONAL FEATURES
Ø.081 ↓THRU	└┘ Ø.107 ↓.310

RESTRICTED & CONFIDENTIAL		MATERIAL	ITEM	PART NO.	QTY.	DESCRIPTION/REMARKS
CONFIDENTIAL PROPERTY OF DANIELS MANUFACTURING CORP. NOT TO BE DISCLOSED TO OTHERS, REPRODUCED OR USED FOR ANY OTHER PURPOSE, EXCEPT AS AUTHORIZED IN WRITING BY DANIELS MANUFACTURING. MUST BE RETURNED TO DANIELS MANUFACTURING CORP. ON COMPLETION OF ORDER OR OTHER PURPOSE FOR WHICH SENT.		HEAT TREAT	DRN.	J. JOYCE	DATE	12/28/99
			CHK'D.	RRR	DATE	12/28/99
			APP'D.		DATE	
			APP'D.		DATE	
DO NOT SCALE DRAWING		FINISH	NOTE:		WHERE USED: (M22520/7-02)	
			THIS DRAWING IS AN OUTLINE DRAWING OF THE RESPECTIVE DMC PART NUMBER INDICATED. ACTUAL DMC PART NUMBER IS DRAWING NUMBER WITHOUT THE "-ENV" SUFFIX.		DANIELS MANUFACTURING CORP. ORLANDO, FLORIDA CAGE 11851	
			SIZE	SCALE	CAD P/N	SHEET OF
			B	NTS	86-1S-ENV	1 OF 1
			POSTING	DWG. NO.	REV.	
				86-1S-ENV	3	
					TITLE	
					ENVELOPE DRAWING POSITIONER	

## X-ON Electronics

Largest Supplier of Electrical and Electronic Components

*Click to view similar products for [Crimpers](#) category:*

*Click to view products by [DMC](#) manufacturer:*

Other Similar products are found below :

[576771-1](#) [576788-2](#) [010-0041](#) [010-0055](#) [010-0096](#) [604228-1](#) [M225202-37](#) [CT150-2-D02](#) [CT150-4-LY2](#) [CT150-6-RH07](#) [M322](#) [63484-3701](#)  
[63800-0140](#) [63800-8355](#) [63811-3275](#) [63811-3376](#) [63811-6375](#) [63811-6475](#) [63811-7875](#) [63811-8175](#) [63811-8875](#) [63819-0475](#) [63819-1875](#)  
[63819-2875](#) [63819-4375](#) [63819-4475](#) [63823-3475](#) [63823-5175](#) [63823-6375](#) [63823-8375](#) [63827-5375](#) [64001-0975](#) [64001-2175](#) [64001-4175](#)  
[662903-2](#) [690142-4](#) [690602-6](#) [D38999/20WA98JB-LC](#) [7-1633664-2](#) [7-22278-0](#) [7-22280-5](#) [7-240641-3](#) [762637-1](#) [808714-1](#) [8-1633117-3](#)  
[853721-6](#) [91362-1](#) [995-0001-187](#) [1-1633932-5](#) [999-50-020083](#)