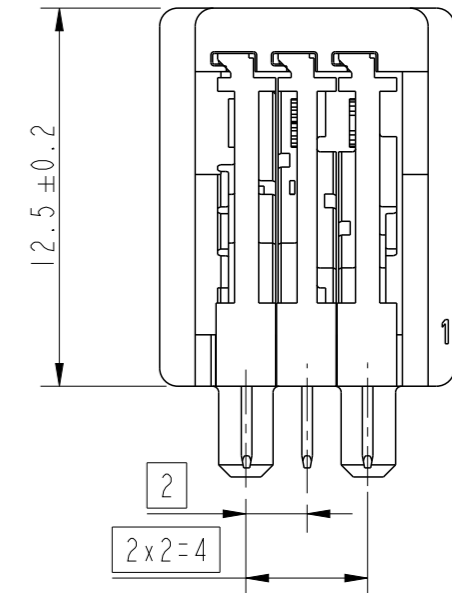
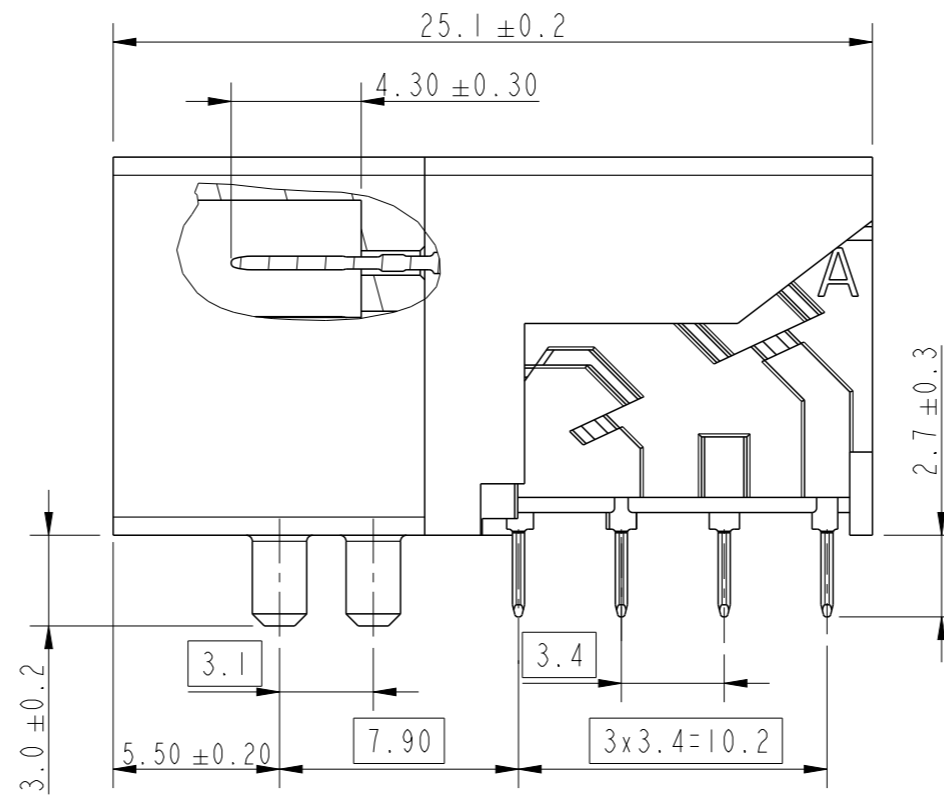
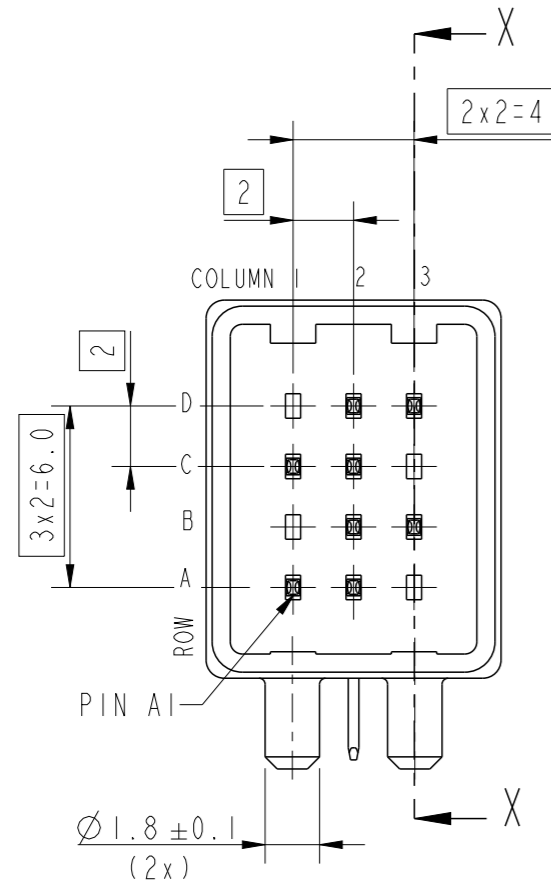
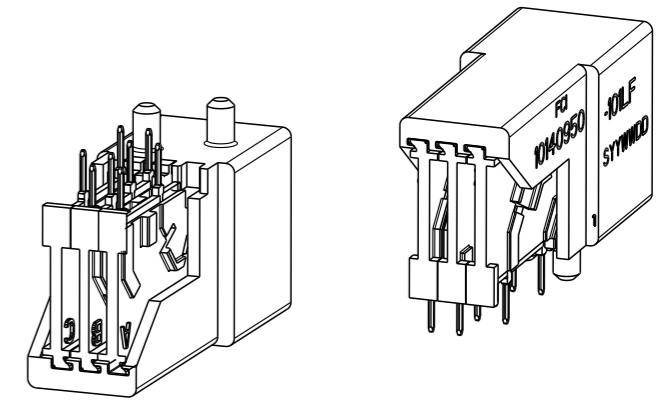
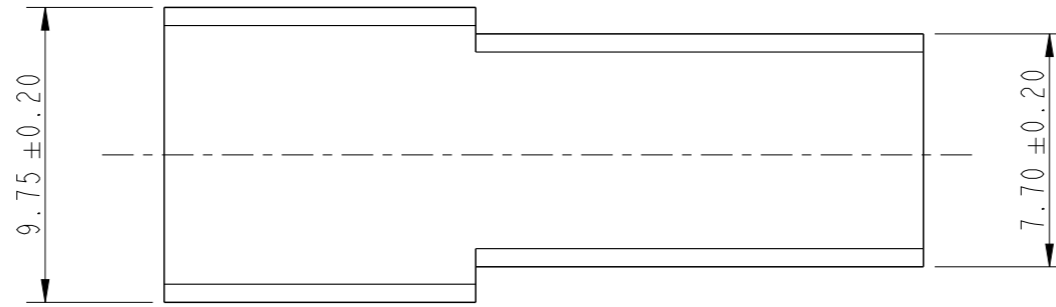


PRODUCT NUMBER
SEE TABLE

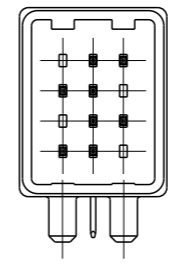
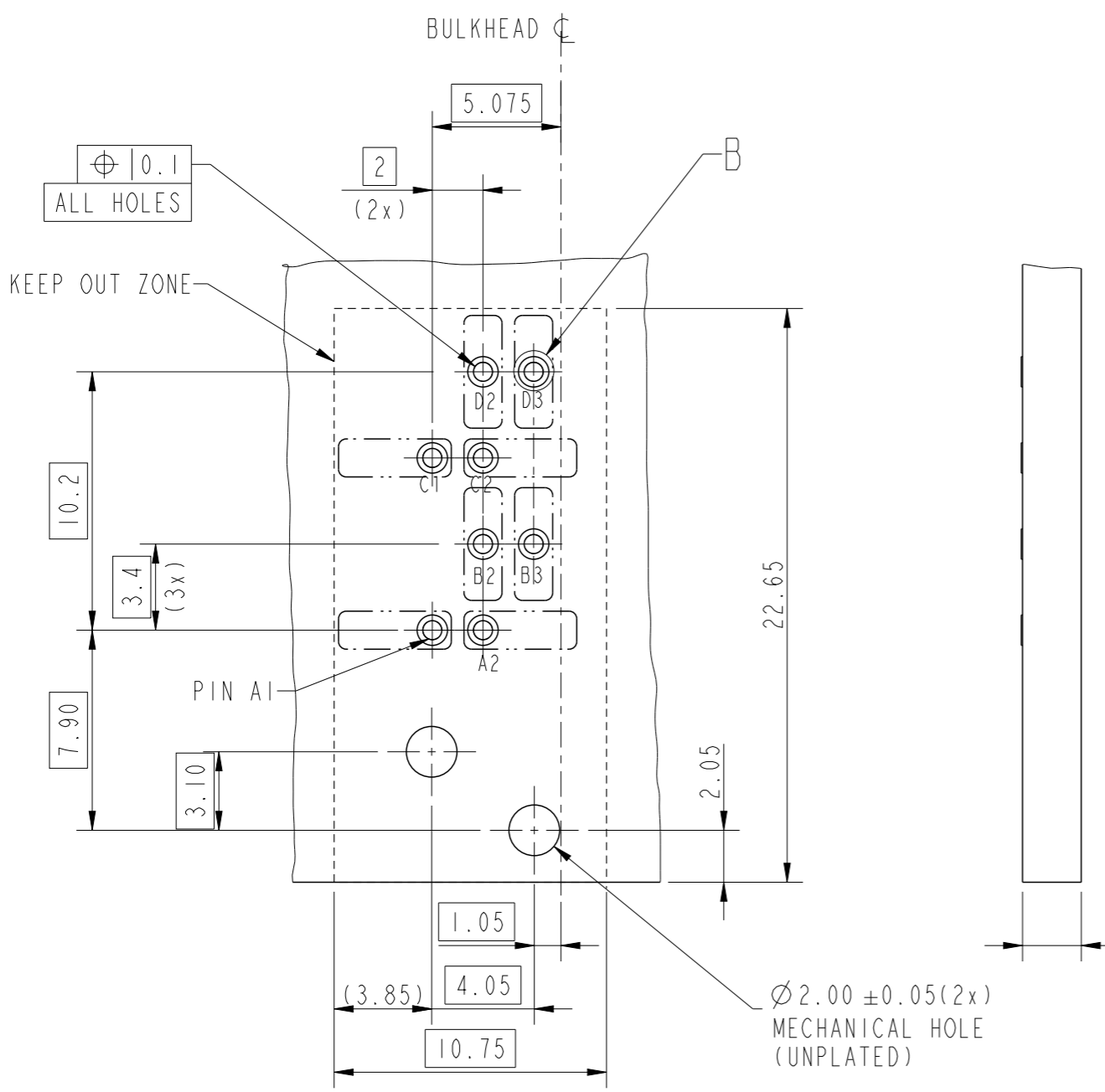
(SEE NOTE 8, SHEET 6)



AFCI PART NO	ROW	COLUMN 1	COLUMN 2	COLUMN 3
10140950-101LF	D	-	x	x
	C	x	x	-
	B	-	x	x
	A	x	x	-
10140950-102LF	D	x	x	x
	C	x	x	-
	B	x	x	x
10140950-103LF	D	x	x	x
	C	x	x	x
	A	x	x	x

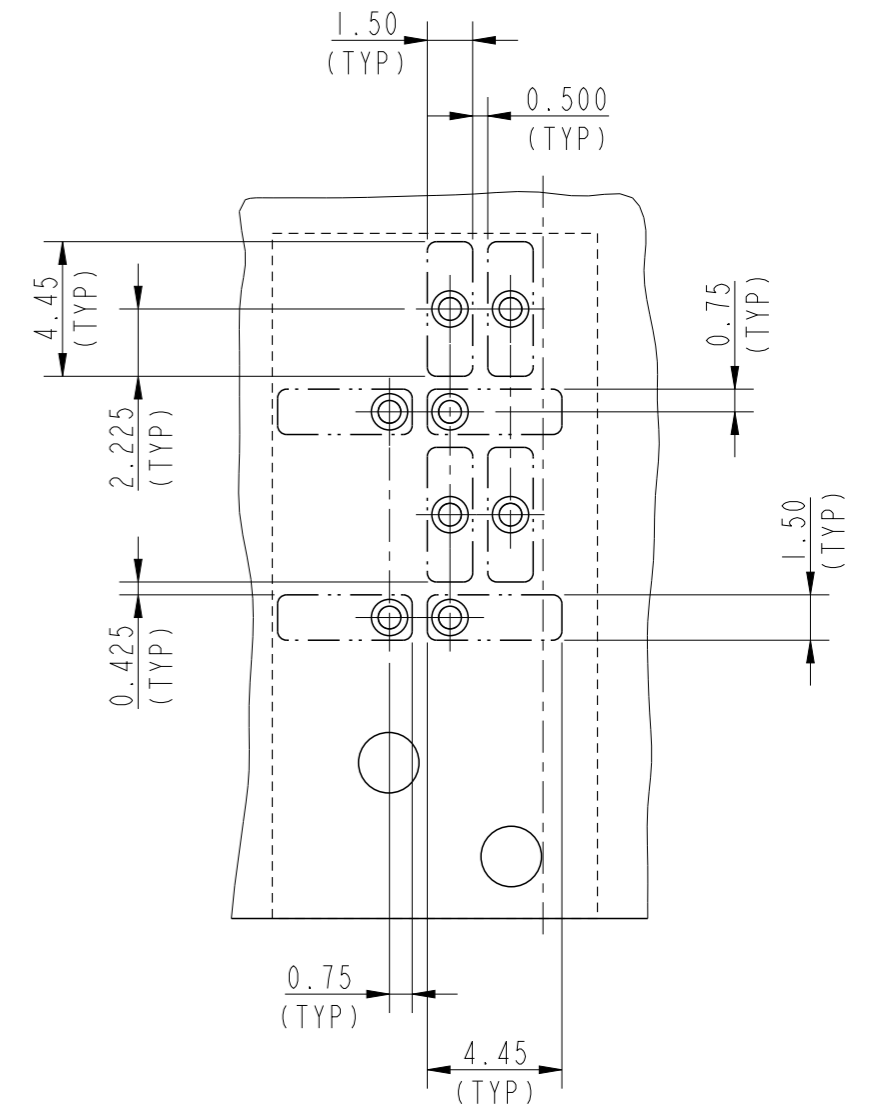
spec ref	-	dr	Jibin John	2017/09/26	projection	mm	size	A3	scale	2:1
tolerance std	ISO 406 ISO 1101	eng	Stalin Alosius	2017/10/16			ecn no	-	rel level	Released
surface	linear	chr	-	apppr						
	angular	Amphenol FCI		VERIO SIGNAL RA BOARD CONNECTOR WITH PIP TERMINATION		dwg no	10140950		rev	A
ISO 1302	0.X ±0.3 0.XX ±0.10 0.XXX ±0.050	cat. no.		-		Product - Customer Drw		sheet 1 of 6		

VIEW FROM COMPONENT SIDE P/N 10140950-101LF

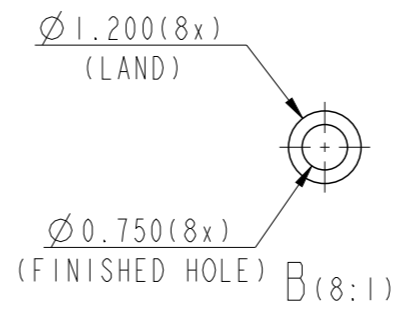


P/N 10140950-101LF
(8 POS. SIGNAL)

SOLDER PAD DIMENSIONS



PTH



1.6~2.4 (±10%)
(PCB THICKNESS)

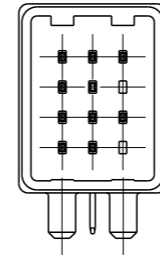
SIGNAL PTH DETAILS	
DRILLED HOLE	0.82-0.87mm
COPPER PLATING	25-50µm
TIN PLATING	0.8-1.2µm
FINISHED HOLE DIA	0.70-0.80mm

spec ref	-	dr	Jibin John	2017/09/26
tolerance std	ISO 406 ISO 1101	eng	Stalin Alosius	2017/10/16
	TOLERANCES UNLESS OTHERWISE SPECIFIED	chr	-	-
surface		ISO 1302	appr	K-Paul Biju
	linear	0.X	±0.3	
		0.XX	±0.10	
		0.XXX	±0.050	
	angular	0°	±2°	

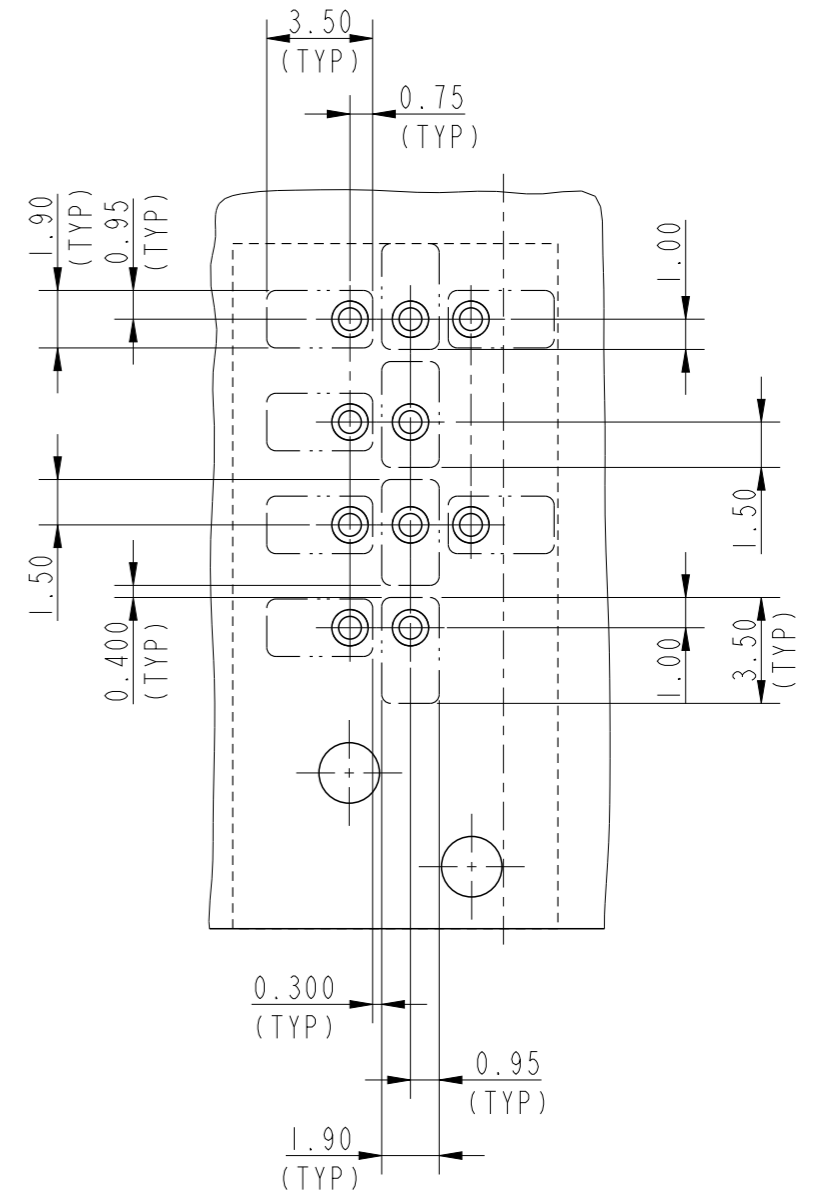
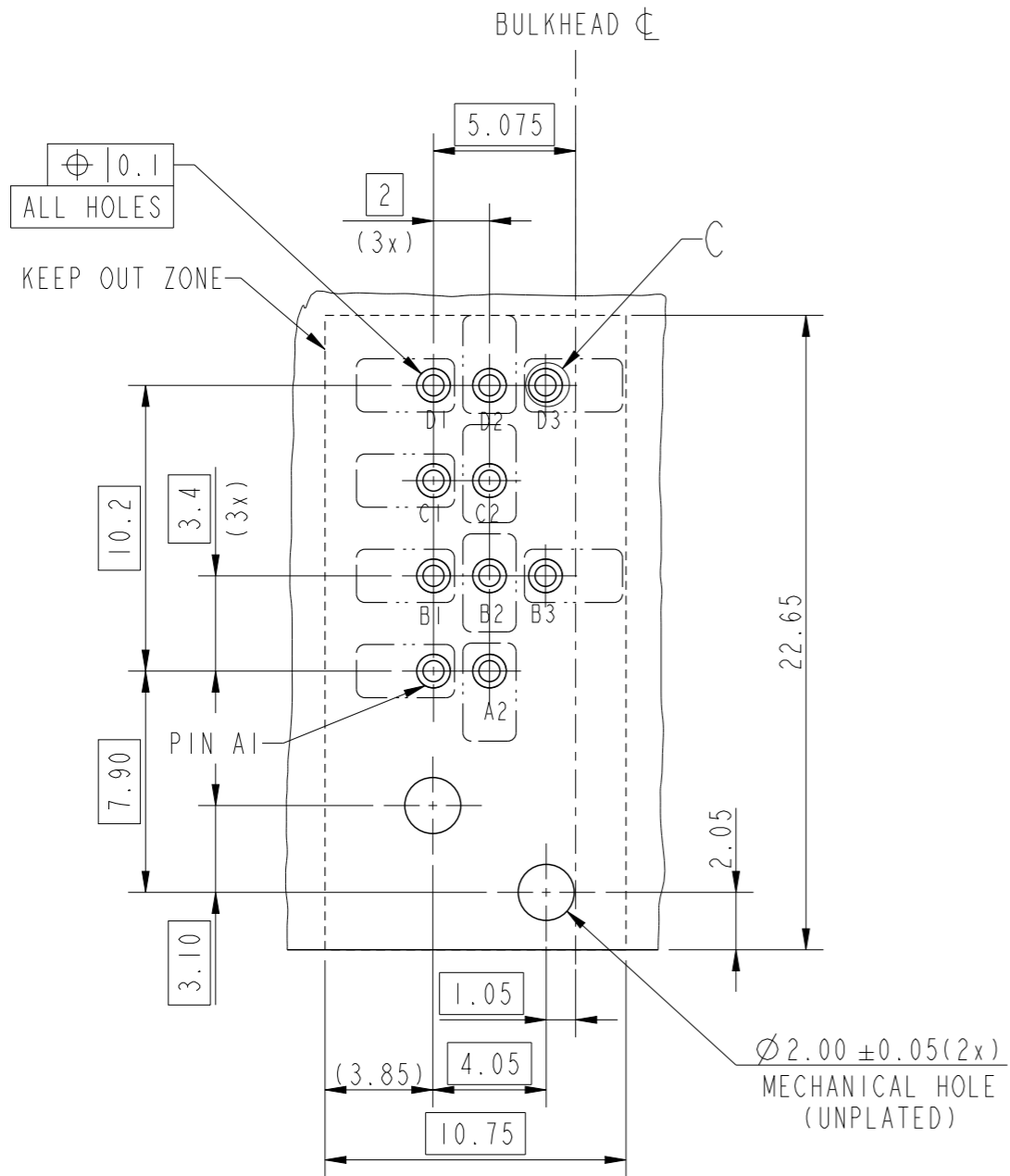
projection	mm	size	A3	scale	1:1
product family		ecn no	-	rel level	Released
Amphenol FCi	VERIO SIGNAL RA BOARD CONNECTOR WITH PIP TERMINATION	dwg no	10140950	rev	A
cat. no.	-	Product - Customer Drw		sheet 2 of 6	

VIEW FROM COMPONENT SIDE P/N 10140950-102LF

SOLDER PAD DIMENSIONS



P/N 10140950-102LF
(10 POS. SIGNAL)



Amphenol
FCi

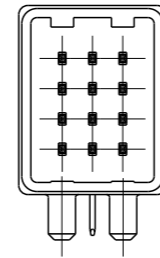
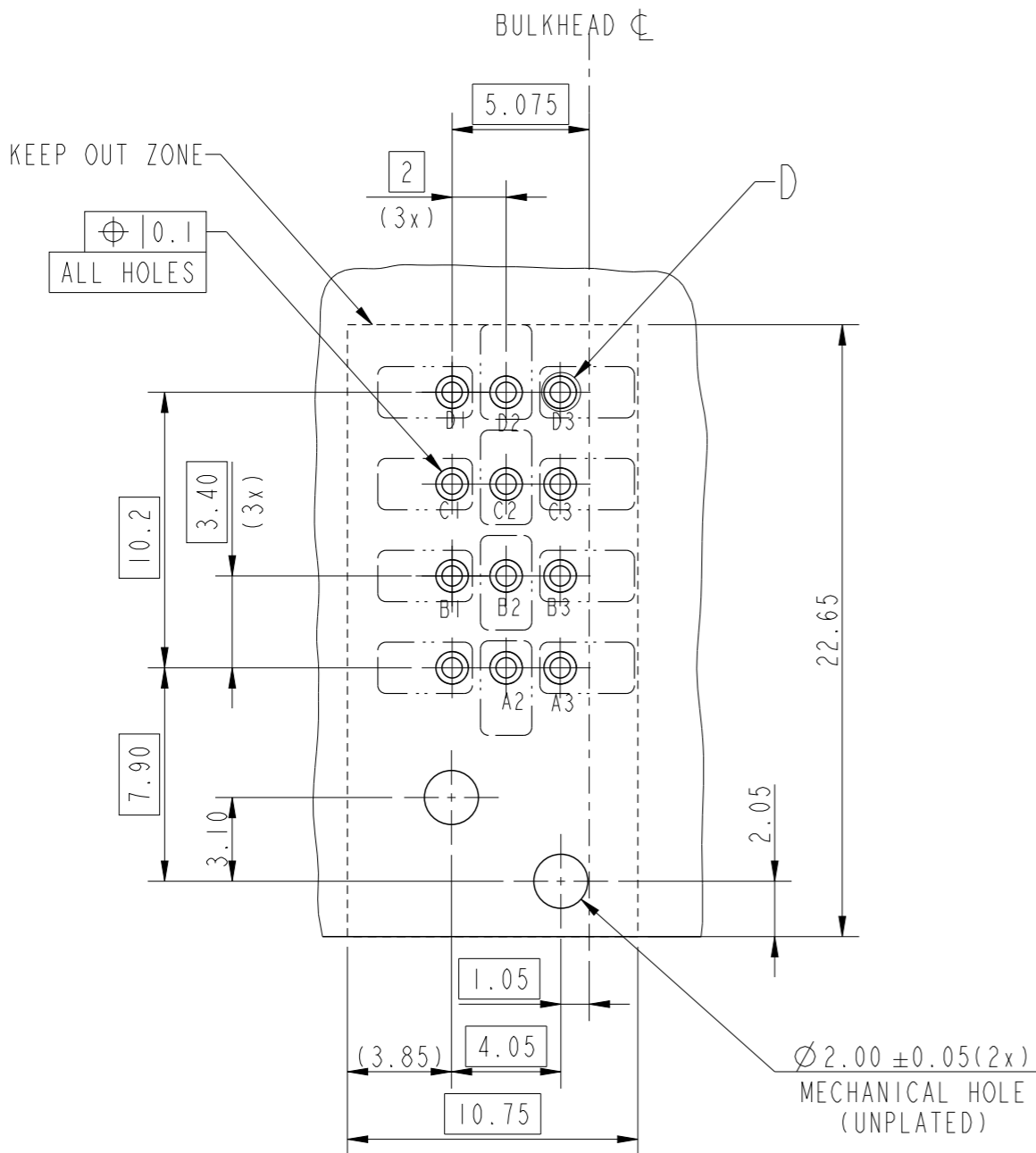
© 2016 AFCI

SIGNAL PTH DETAILS	
DRILLED HOLE	0.82-0.87mm
COPPER PLATING	25-50 μ m
TIN PLATING	0.8-1.2 μ m
FINISHED HOLE DIA	0.70-0.80mm

spec ref	-	dr	Jibin John	2017/09/26
tolerance std	ISO 406 ISO 1101	eng	Stalin Alosius	2017/10/16
	TOLERANCES UNLESS OTHERWISE SPECIFIED	chr	-	-
		appr	K-Paul Biju	2017/10/16
surface	linear	0.X	± 0.3	Amphenol FCi
		0.XX	± 0.10	
		0.XXX	± 0.050	
	angular	0°	$\pm 2^\circ$	

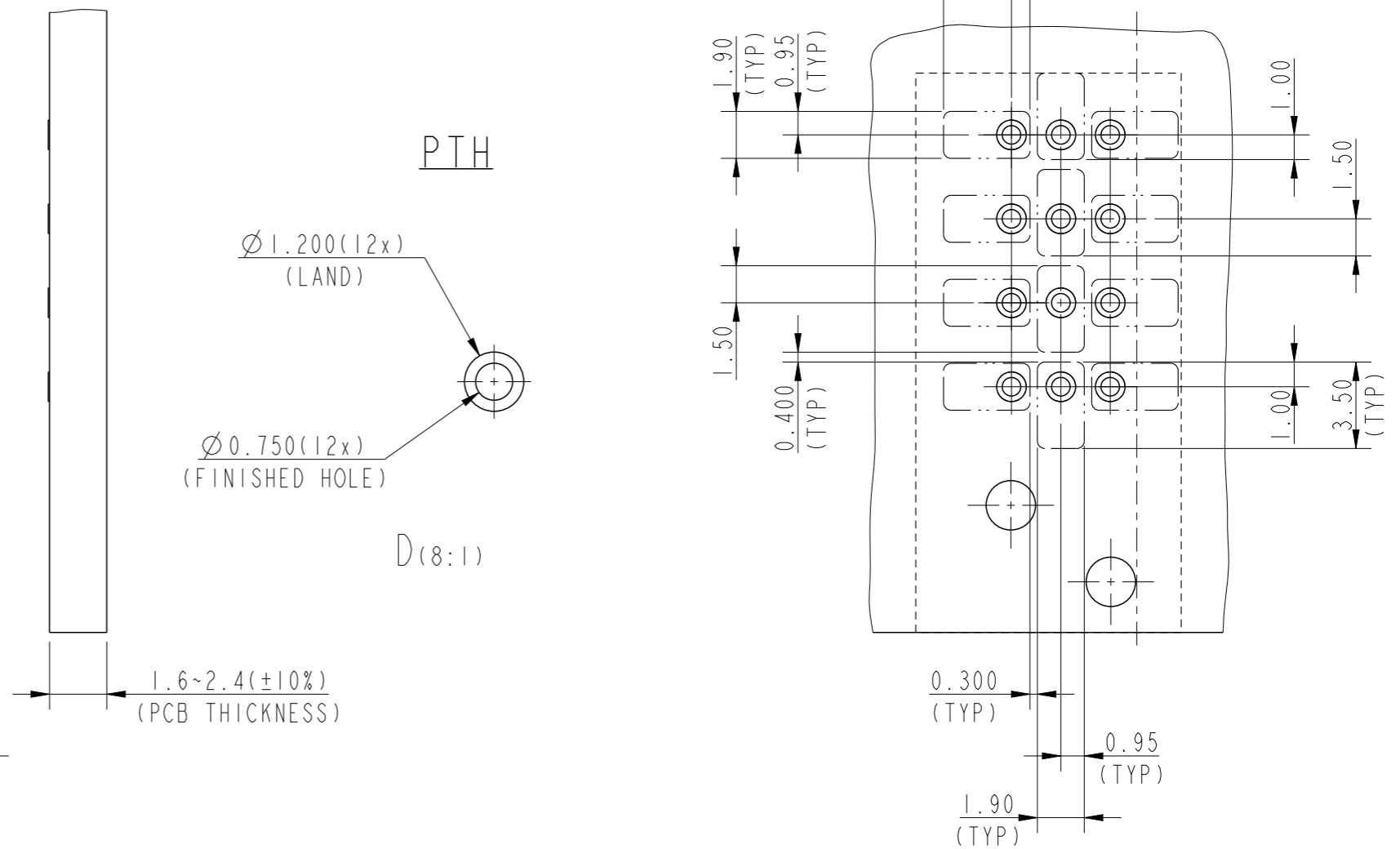
projection	mm	size	A3	scale	1:1
product family		ecn no		rel level	Released
VERIO SIGNAL RA BOARD CONNECTOR		dwg no	10140950	rev	A
WITH PIP TERMINATION		cat. no.	Product - Customer Drw	sheet 3 of 6	

VIEW FROM COMPONENT SIDE P/N 10140950-103LF



P/N 10140950-103LF
(12 POS. SIGNAL)

SOLDER PAD DIMENSIONS



Amphenol
FCi

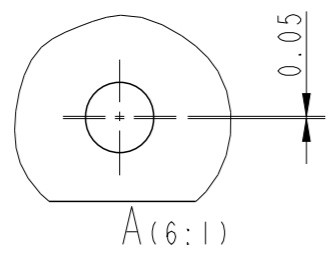
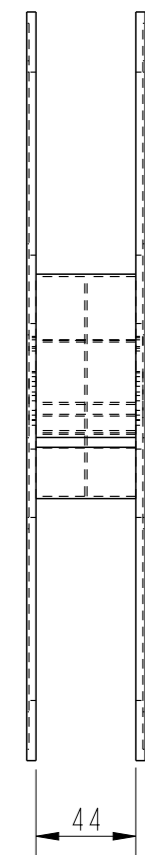
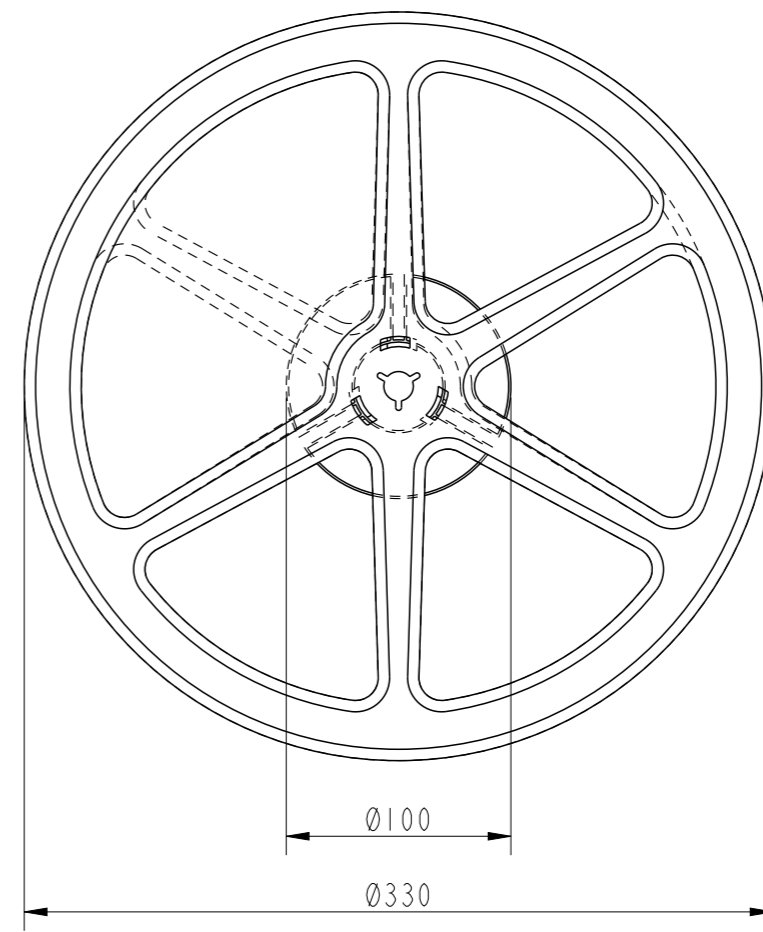
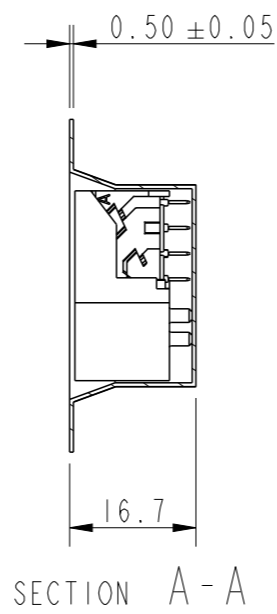
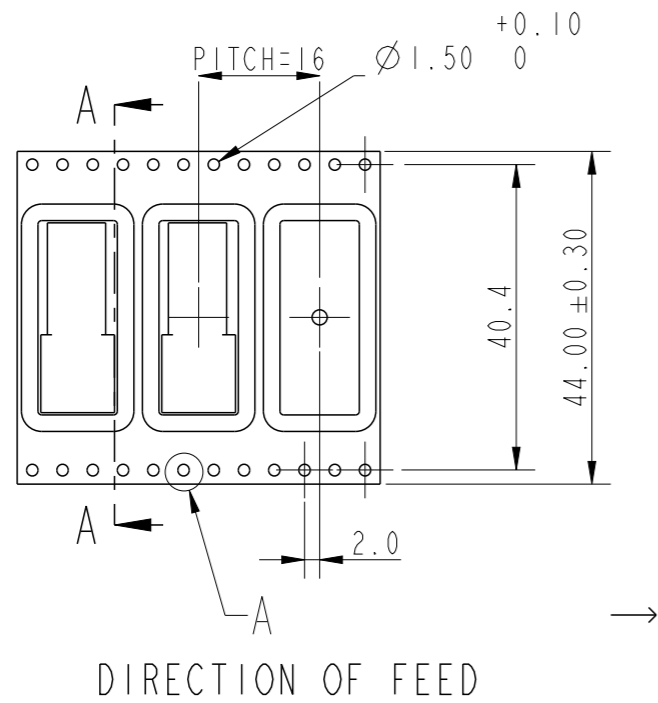
© 2016 AFCI

SIGNAL PTH DETAILS	
DRILLED HOLE	0.82-0.87mm
COPPER PLATING	25-50 μ m
TIN PLATING	0.8-1.2 μ m
FINISHED HOLE DIA	0.70-0.80mm

spec ref	-	dr	Jibin John	2017/09/26
tolerance std	ISO 406 ISO 1101	eng	Stalin Alosius	2017/10/16
	TOLERANCES UNLESS OTHERWISE SPECIFIED	chr	-	-
surface		appr	K-Paul Biju	2017/10/16
	linear	0.X	± 0.3	Amphenol FCi
		0.XX	± 0.10	
		0.XXX	± 0.050	
	angular	0°	$\pm 2^\circ$	

projection	ϕ \leftarrow	size	A3	scale	1:1
mm	\longleftrightarrow	ecn no	-	rel level	Released
product family	VERIO SIGNAL RA BOARD CONNECTOR		dwg no	10140950	rev
	WITH PIP TERMINATION				A
cat. no.	Product - Customer Drw		sheet 4 of 6		

PACKAGING SPECIFICATION



TAPE & REEL PACKING DETAILS

NOTES:

1. PACKAGING DETAILS AS PER EIA-481 STD.
2. MATERIAL : (ANTISTATIC)
 CARRIER TAPE : POLYSTYRENE
 COVER TAPE : POLYSTYRENE

spec ref	-	dr	Jibin John	2017/09/26	projection	mm	size	A3	scale	2:1	
tolerance std	ISO 406 ISO 1101	eng	Stalin Alosius	2017/10/16			ecn no	-	rel level Released		
TOLERANCES UNLESS OTHERWISE SPECIFIED		chr	-	product family							
surface	linear	appr	K-Paul Biju	2017/10/16	VERIO SIGNAL RA BOARD CONNECTOR			dwg no	10140950	rev	A
ISO 1302	angular				WITH PIP TERMINATION			Product - Customer Drw		sheet 5 of 6	
	0.X	±0.3				cat. no.					
	0.XX	±0.10									
	0.XXX	±0.050									
	0°	±2°									

1

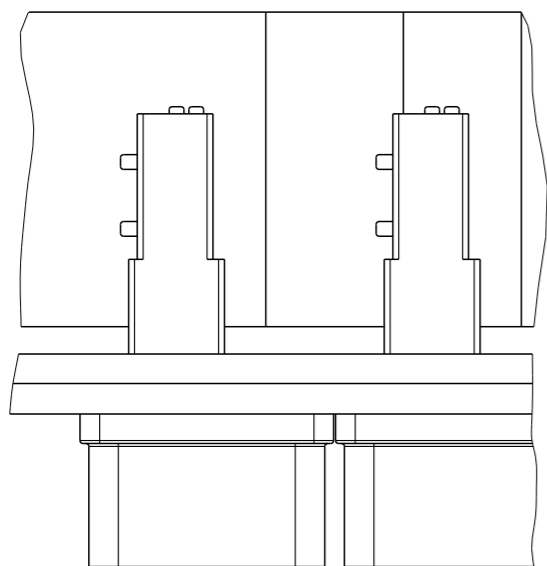
2

3

4

A

A



B

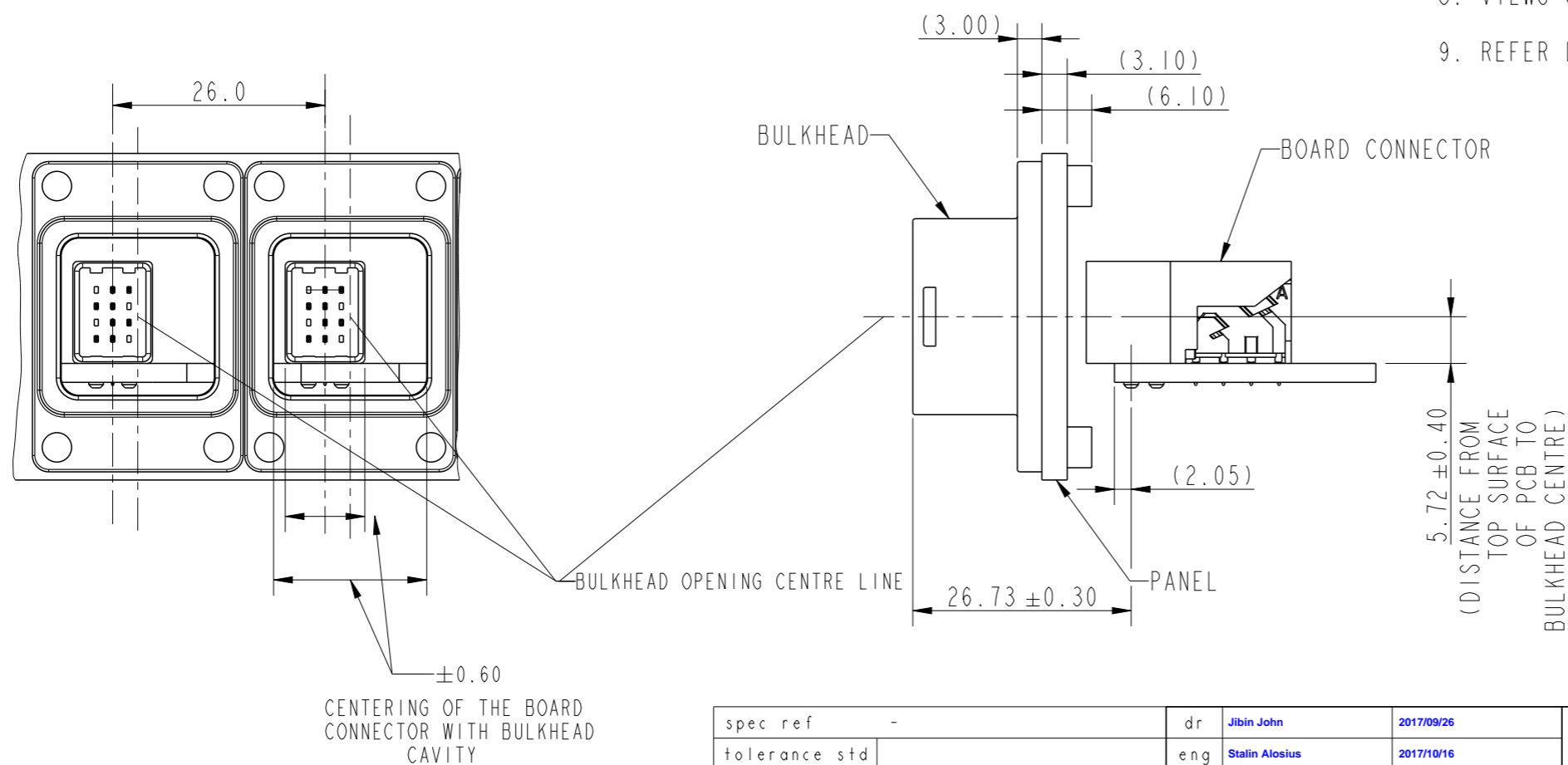
B

NOTES:

- 1: MATERIAL :
 - RESIN - LCP, GLASS FILLED, FLAME RETARDANT ACC
 - FLAMMABILITY CLASSIFICATION - UL94-V0
 - SIGNAL CONTACTS - COPPER ALLOY
- 2. PLATING :
 - GOLD OVER PALLADIUM NICKEL ON CONTACT AREA OF SIGNALS
 - PURE TIN AT TERMINAL AREA OF SIGNALS
- 3. PRODUCT SPECIFICATION: GS-12-1429
- 4. PACKAGING - TAPE & REEL
- 5. UNDER PLATING FOR CONTACTS IS 1.27µm NICKEL.
- 6. PRODUCT WILL WITHSTAND EXPOSURE TO 260° FOR 60 SECONDS IN A CONVECTION, INFRA RED OR VAPOUR PHASE REFLOW OVEN
- 7. PRODUCT WHERE THE PARTNUMBER ENDS IN LF MEETS EUROPEAN DIRECTIVES AND OTHER COUNTRY REGULATIONS AS DESCRIBED IN GS-47-0004.
- 8. VIEWS SHOWN ON PAGE 1 & 6 ARE OF P/N 10140950-101LF
- 9. REFER DRAWING 10140956 FOR BULKHEAD DETAILS

C

C



Amphenol FCI

© 2016 AFCI

D

D

BOARD CONNECTOR WITH BULKHEAD

spec ref	-	dr	Jibin John	2017/09/26	projection	mm	size	A3	scale	2:1
tolerance std	ISO 406 ISO 1101	eng	Stalin Alosius	2017/10/16			ecn no	-	rel level	Released
TOLERANCES UNLESS OTHERWISE SPECIFIED		chr	-	2017/10/16						
surface	linear	0.X	±0.3	Amphenol FCI	VERIO SIGNAL RA BOARD CONNECTOR WITH PIP TERMINATION		rel level	Released	rev	A
		0.XX	±0.10		cat. no.	Product - Customer Drw	sheet 6 of 6			
	angular	0°	±2°		dwg no	10140950				

1

2

3

4

X-ON Electronics

Largest Supplier of Electrical and Electronic Components

Click to view similar products for [Power to the Board](#) category:

Click to view products by [Amphenol](#) manufacturer:

Other Similar products are found below :

[10131318-08512GRLF](#) [6450171-4](#) [6450552-7](#) [6600323-8](#) [6643429-1](#) [6646040-2](#) [6651939-1](#) [6766604-1](#) [120959-1](#) [1393557-2](#) [1393532-2](#)
[1393532-3](#) [1393532-4](#) [1393557-1](#) [1600812-5](#) [1-6450861-2](#) [1645595-1](#) [1743490-1](#) [1744132-7](#) [1761122-1](#) [1766169-1](#) [1766250-1](#) [18362](#)
[1892109-1](#) [1-967627-6](#) [2226808-1](#) [2-6450860-5](#) [2-6450860-6](#) [2-6450870-0](#) [93003-0502](#) [953552-1](#) [1-6450161-4](#) [1-6450850-6](#) [1645526-2](#) [1-](#)
[6600130-0](#) [1743419-1](#) [1766150-1](#) [2005243-2](#) [211110-1](#) [2-6600130-2](#) [TE34-12-16P-F0](#) [5-6450830-6](#) [5646956-4](#) [36662-0005](#) [40585-3000](#) [4-](#)
[6450830-9](#) [4-6600333-3](#) [51142-0214](#) [10134048-911LF](#) [10130248-005LF](#)