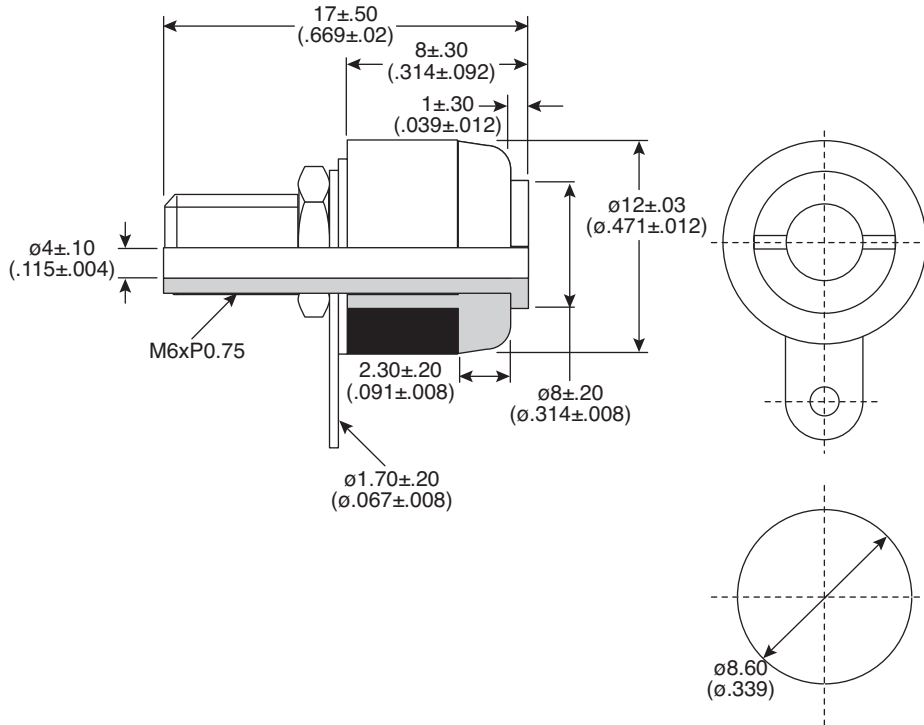


# Banana Sockets



164-R104R-EX, 164-R104B-EX

Banana Sockets



Dimensions: mm (in.)

SPECIFICATIONS	
Rating:	10A / 125V AC
Insulation Resistance:	500V DC 100MΩ min.
Dielectric Strength:	1000V AC 1 minute
Temperature Range:	-10°C to +80°C
RoHS Compliant by Exemption	

MATERIALS	
Insulation:	Nylon
Metal:	Nickel plated brass
Panel Thickness:	.5-3.0mm

Date Last Revised: 6/13/12

Available from Mouser Electronics  
1-800-346-6873 / www.mouser.com

KC-301095

Specifications are subject to change without notice. No liability or warranty implied by this information. Environmental compliance based on producer documentation.

164-R104R-EX, 164-R104B-EX

# X-ON Electronics

Authorized Distributor

*Click to view similar products for [Test Plugs & Test Jacks](#) category:*

[R941342000](#) [125041/W](#) [BU-6162-M-60-2](#) [2798](#) [4092](#) [1050762-1](#) [111-0106-001](#) [23.3160-21,+ -22,+ -23,+ -24,+ -25](#) [F70321S078L180](#) [7015](#)