

3/8 " Pass Thru Stud Block

RoHS



Specifications:

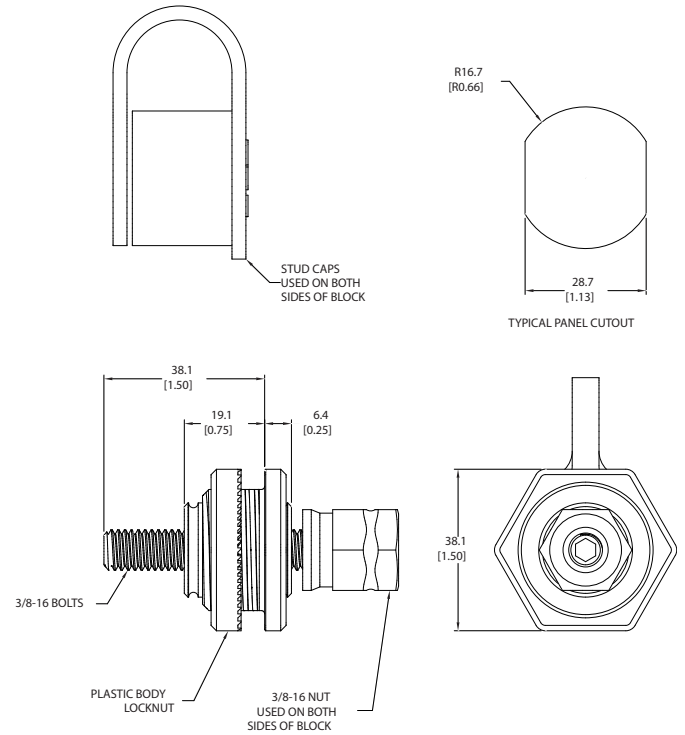
Voltage Rating:	400A
Locknut Torque:	54.2 Nm
Body Mounting Nut Torque:	13.6 Nm
Materials:	Body-Nylon 66 (120°C) Contact - Copper 110 Studs - Zinc-plated steel Locknut - Zinc-plated steel Body nut - Nylon 66 Stud caps - PVC
Operating Temperature Range:	-40°C - 125°C

Our 3/8" pass-thru stud has a high electrical rating and low resistance due to a large cross-sectional contact area. It also uses highly conductive materials to outperform the competition.

This pass-thru stud boasts high installation torque values to allow the use of large cable sizes for high current applications. Stud caps are included to protect from accidental shorts.

The pass-thru stud is available with red or black body and stud cap to help color-code circuits in the vehicle. A plastic body locknut ensures quick and easy firewall-mount installation without the need for additional hardware.

Dimensions in millimeters



Part Number	Color
JBPT0001Z	Red
JBPT0002Z	Black

X-ON Electronics

Largest Supplier of Electrical and Electronic Components

Click to view similar products for [Fuse Holder Accessories](#) category:

Click to view products by [Littelfuse](#) manufacturer:

Other Similar products are found below :

[BK/1A1337](#) [BK/2A1460](#) [BO2-02](#) [BP/FP-2](#) [903-048](#) [9732](#) [CO2-10](#) [CO3-03](#) [B001-7018/J](#) [BK/1A1853](#) [BK/1A4421](#) [BK/1A6049](#) [BK/9732](#)
[BO3-03](#) [X30110](#) [09030012H](#) [0904216001](#) [09050023H](#) [FHM20200ZPA](#) [FHM20200Z](#) [BK/9834](#) [901-108](#) [00970021HXNVDL](#) [00BS0232P](#)
[CO2-04](#) [BK1A1853](#) [BK9835](#) [BK-HHT](#) [BK9834](#) [BK1A4806-2](#) [0880.0001](#) [00970053XP](#) [3566C](#) [04450718ZX900](#) [BP/FP-3](#) [B001-7007/J](#)
[BO4-05](#) [359.5900.087](#) [868-951](#) [868-952](#) [868-953](#) [868-955](#) [868-956](#) [868-957](#) [58600000005](#) [33-012C](#) [09230025LXREDM8](#) [01520903TXN](#)
[882-267-002](#) [882-267-003](#)