

Accessories for TREK Series



Accessories for TREK Series

Features

Advantech mounting kits and ingress protection covers are the best companions for TREK series products. They feature:

- Shock and vibration absorption
- Fully adjustable positioning
- Simple and quick attachment
- IP54 I/O cover for TREK-753

Introduction

Advantech mounting kits are the perfect choice for securing MDTs (Mobile Data Terminal) to vehicles on the move. The mounting kits come with two plates and double socket arms which can absorb harmful shocks and vibrations. They are designed to absorb a shock of up to 40G, 11ms (MIL-STD-810G) or 100 G, 6ms (EN60721-3-5) and will hold MDTs solidly in place even in the harshest of conditions. View angle and position of MDTs is fully adjustable by the double socket design.

All RAM components are interchangeable, so if you decide to switch items from one vehicle to another, simply swap them out with a turn of the knob. There are many different, non-destructive RAM mounting bases that will quickly attach and fit different vehicle cabins. They have been tested on vehicles from Toyota, CAT, Daewoo, Komatsu, Yale, Hyster, Clark, Mitsubishi, Nissan, and many others.

RAM-MOUNT-01



Features

- 5.625" double socket arm for 1.5" ball base
- 2.5" width square rail clamp base
- 4.75" VESA base
- Suitable products: TREK-753

RAM-MOUNT-02



Features

- 5.625" double socket arm for 1.5" ball base
- Flat 2.5" diameter base with AMPS hole pattern
- 4.75" VESA base
- Suitable products: TREK-303/306/722/723

RAM-MOUNT-06E



Features

- 5.625" double socket arm for 1.5" ball base
- 3.625" VESA base at both sockets
- Suitable products: TREK-753/PWS-770 Vehicle docking

RAM-MOUNT-07E



Features

- 5.625" double socket arm for 1.5" ball base
- Flat 2.5" diameter base with AMPS hole pattern
- 3.625" VESA base
- Suitable products: TREK-303/306/722/723/ PWS-770 Vehicle docking

RAM-MOUNT-09E



Features

- 2.5" width square rail clamp base
- 5.625" double socket arm for 1.5" ball base
- 3.625" VESA base
- Suitable products: TREK-303/306/722/723

9668TREK37E



Features

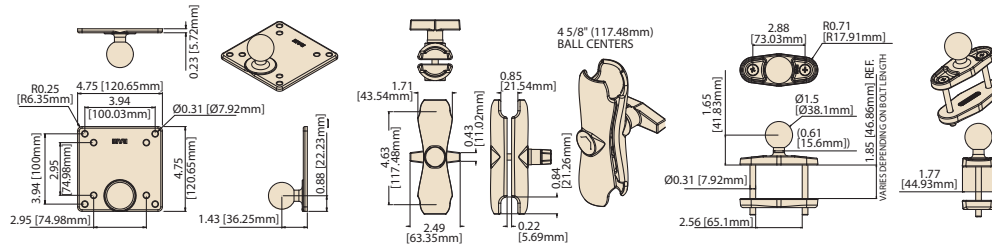
- Plastic I/O cover with rubber seal
- IP54 compliant
- Suitable products: TREK-753

Accessories for TREK Series

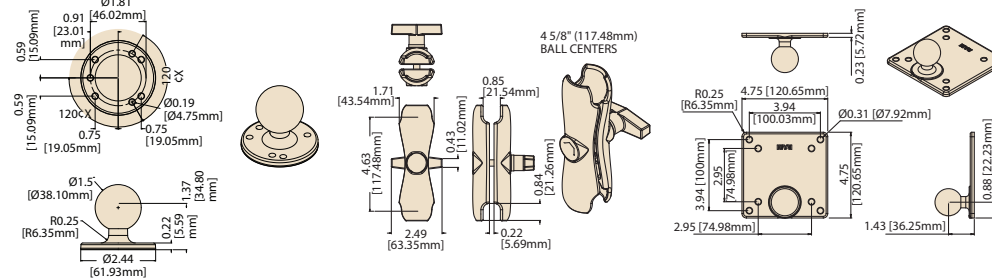
Dimensions

Unit: inches [mm]

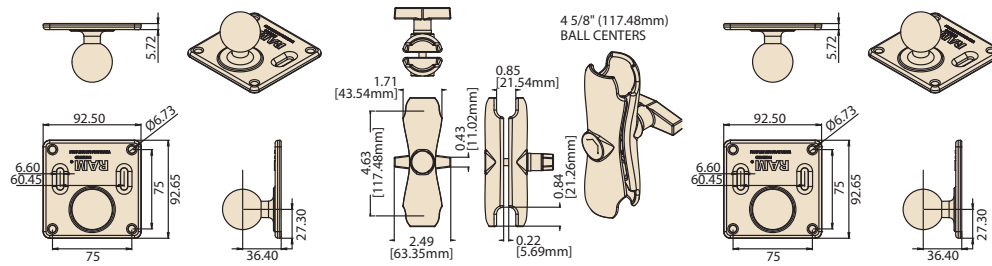
RAM-MOUNT-01



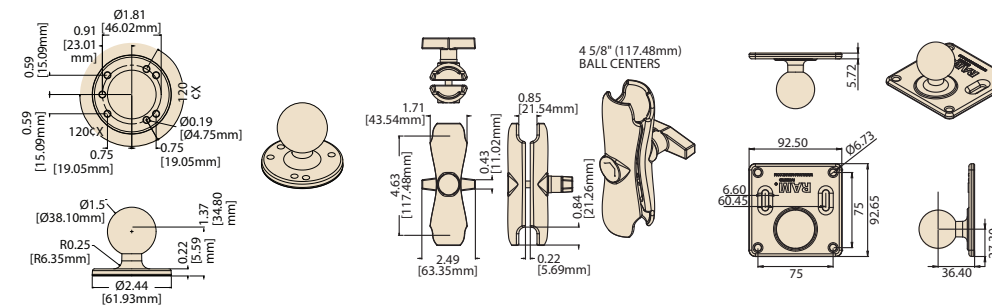
RAM-MOUNT-02



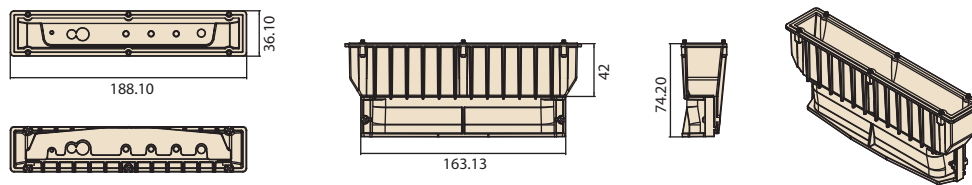
RAM-MOUNT-06E



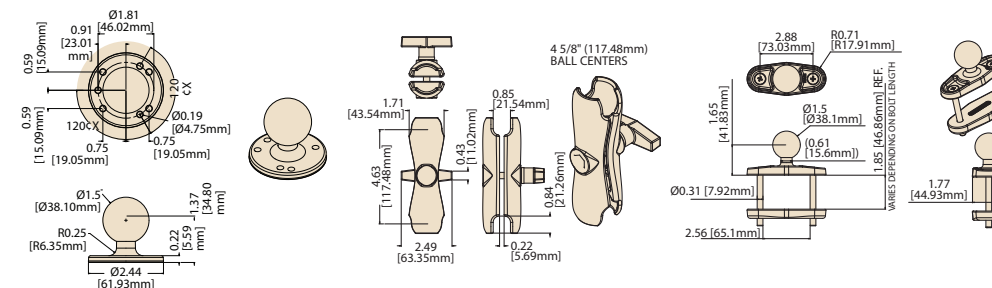
RAM-MOUNT-07E



9668TREK37E



RAM-MOUNT-09E



X-ON Electronics

Largest Supplier of Electrical and Electronic Components

Click to view similar products for [Modules Accessories](#) category:

Click to view products by [Advantech](#) manufacturer:

Other Similar products are found below :

[7010-0001](#) [F1UL16RISER2](#) [PEX-CABLEAD-KIT-8732](#) [AX98219](#) [iRIS-1010-R10](#) [A1UL8RISER](#) [F1UJPMICRISER](#) [FHW1U16RISER](#) [20-101-0440](#) [MBCDROM](#) [AX61221TM](#) [VM-105](#) [1000-PM](#) [76000958](#) [XPC100A002-01-B](#) [690-1002](#) [96HD500G-ST-WD7KE](#) [AMO-R022E](#) [RK-210E-B](#) [cPCIS-6400UA/AC](#) [E226171106](#) [AX60501WB](#) [88606200030E](#) [96RACK-3-SS-CR-B1](#) [UTC-300P-M10E](#) [UNO-2000G-VMKAE](#) [SI-HDMI-EDID-EM](#) [96HD3T-ST-SG7K](#) [AMO-I013E](#) [S10A-93-S10A6-001](#) [PWS-870-UCOVER00E](#) [PWS-770-VMOUNT00E](#) [PWS-870-CHDC00E](#) [MIT-W101-ACCDSW01E](#) [MIC-75M40-00A1E](#) [MIC-75M13-00A1E](#) [FPM-1000T-SMKE](#) [ASMB-FF404-04A1E](#) [AMK-V008E](#) [AMK-V005E](#) [AMK-R004E](#) [9896025601E](#) [96HD1TB-ST-WD7KE1](#) [96FMCF-ST2ADAPTER1](#) [9680015843](#) [1960030475S200](#) [1931031500](#) [AHWKPTP12GBGB](#) [850-13106](#) [P4304XXMUXX](#)