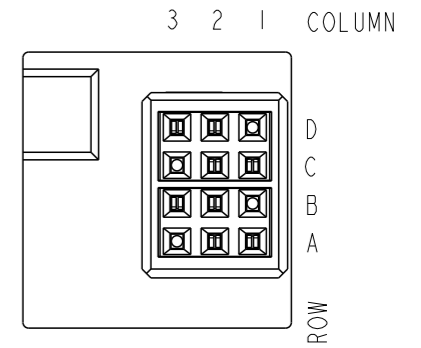
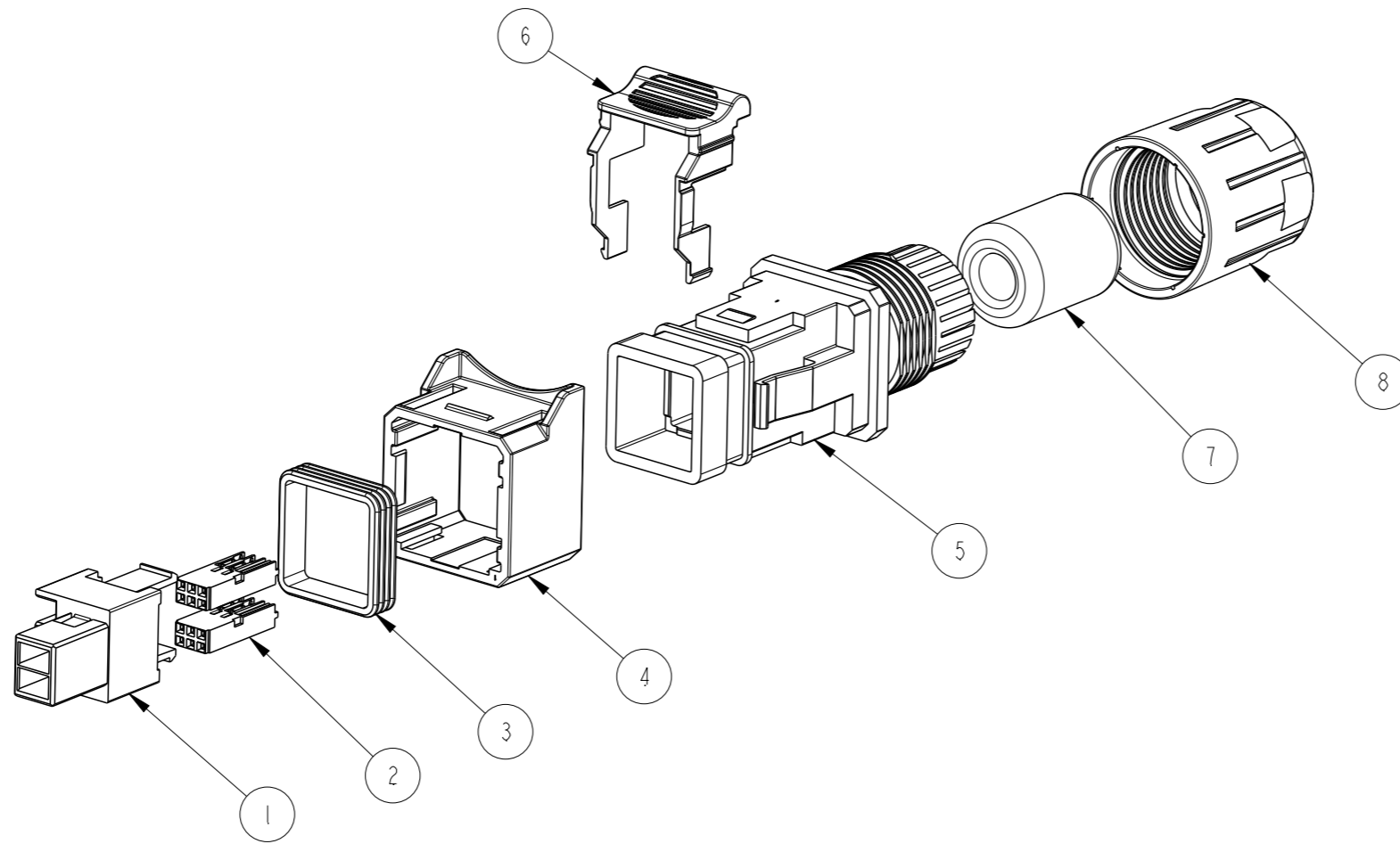


PART NUMBER
SEE TABLE IN SHEET 2

VERIO PLUG KIT , 8, 10, 12 POS SIGNAL, FIELD
TERMINABLE, PITCH 26 MM

CONNECTOR FRONT VIEW



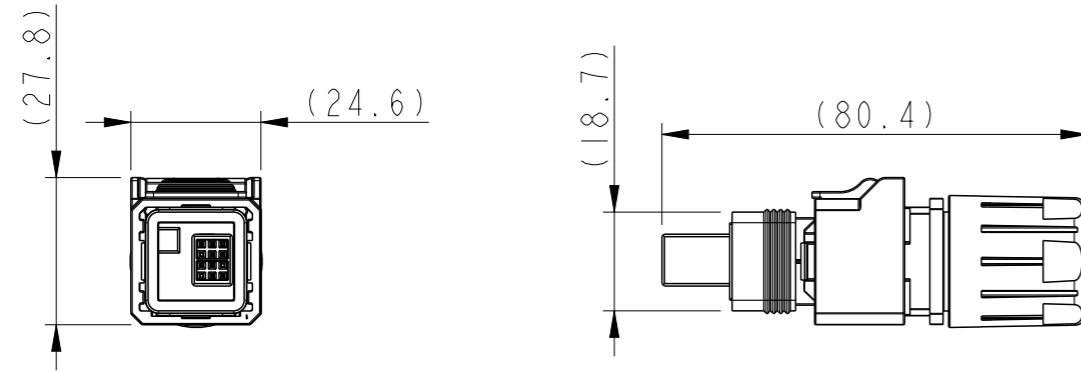
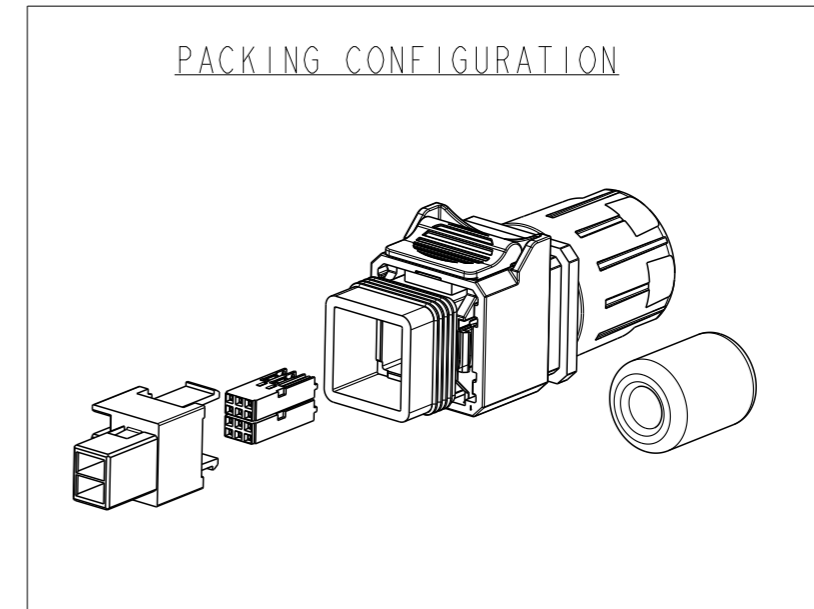
SL NO.	DESCRIPTION	MATERIAL	QTY	REMARKS
1	HOUSING	PBT	1	
2	TERMINAL BLOCK ASSEMBLY	PBT+COPPER ALLOY	2	
3	SEAL	SILICON	1	
4	SLIDE	PBT GF	1	
5	HOLDER	PBT GF	1	
6	SECONDARY LOCK	PBT GF	1	
7	GLAND	SILICON	1	
8	NUT	PBT GF	1	

spec ref		dr	Jibin John	2017/09/26	projection	mm	size	A3	scale	3:10
tolerance std		eng	B T Varghese	2017/11/24			ecn no		ELX-I-28591-1	
ISO 406		chr	-	-			rel level		Released	
ISO 1101		appr	K-Paul Bijju	2017/11/24	product family		VERIO		rev	
surface	<input checked="" type="checkbox"/> linear <input type="checkbox"/> angular	0.X	±0.3	Amphenol FCI SIGNAL PLUG KIT- 8,10,12 POS VERIO	cat. no. - Product - Customer Drw	dwg no 10143486	rev		B	
		0.XX	±0.13							
		0.XXX	±0.05							
ISO 1302		0°	±2°			sheet 1 of 2				

Amphenol
FCi

© 2016 AFCI

AFCI PART NO	ROW	COLUMN 3	COLUMN 2	COLUMN 1
10143486-101LF	D	X	X	-
	C	-	X	X
	B	X	X	-
	A	-	X	X
10143486-102LF	D	X	X	X
	C	-	X	X
	B	X	X	X
	A	-	X	X
10143486-103LF	D	X	X	X
	C	X	X	X
	B	X	X	X
	A	X	X	X



NOTES:

- 1. ALL PARTS WILL BE SUPPLIED IN BULK PACKING
- 2. PRODUCT SPEC - GS-12-1429
- 3. APPLICATION SPEC - GS-20-0523

Amphenol FCI

© 2016 AFCI

spec ref		dr	Jibin John	2017/09/26	projection	mm	size	A3	scale	3:10
tolerance std		eng	B T Varghese	2017/11/24			ecn no		ELX-I-28591-1	
ISO 406 ISO 1101		chr	-	-			rel level		Released	
TOLERANCES UNLESS OTHERWISE SPECIFIED		appr	K-Paul Biju	2017/11/24	product family		VERIO		rev	
surface	linear	0.X		±0.3	Amphenol FCI	SIGNAL PLUG KIT- 8,10,12 POS		dwg no 10143486	rev	
		0.XX		±0.13		B				
ISO 1302		angular	0°	±2°		cat. no.			-	
							sheet 2 of 2			

X-ON Electronics

Largest Supplier of Electrical and Electronic Components

Click to view similar products for [Heavy Duty Power Connectors](#) category:

Click to view products by [Amphenol](#) manufacturer:

Other Similar products are found below :

[1424439](#) [1424438](#) [09330062652](#) [2-8675P1](#) [605601-1](#) [6340G1](#) [6341G1](#) [6360G1](#) [6373G1](#) [6374g2](#) [6396G1](#) [647757-1](#) [66394-4](#) [6643411-1](#)
[6646058-2](#) [6646137-1](#) [6646138-1](#) [6646348-1](#) [6646479-1](#) [6646608-1](#) [6646786-1](#) [6646940-1](#) [6651091-1](#) [6651525-1](#) [6651529-1](#) [6651778-1](#)
[6651788-1](#) [696465-1](#) [696475-1](#) [73000005059](#) [73000005349](#) [73000005642](#) [73080255059](#) [73080965046](#) [765-15-0080A](#) [765-16-0080B](#)
[789.700-44](#) [789.700-54](#) [80-1010](#) [80-9](#) [827381-1](#) [829992-1](#) [902-77-02113](#) [PL00U-301-10D10](#) [PM103MOOLOO](#) [PM16S1620S32-50](#)
[PM212MOOLOO](#) [PM309FOOLOO](#) [PM324FOOLCH](#) [PMHPAF11S03](#)