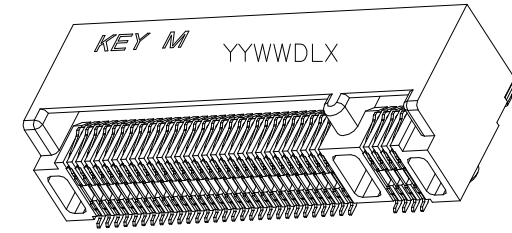
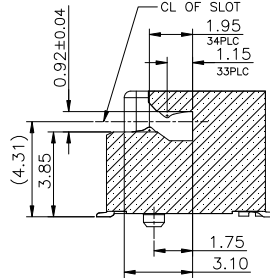
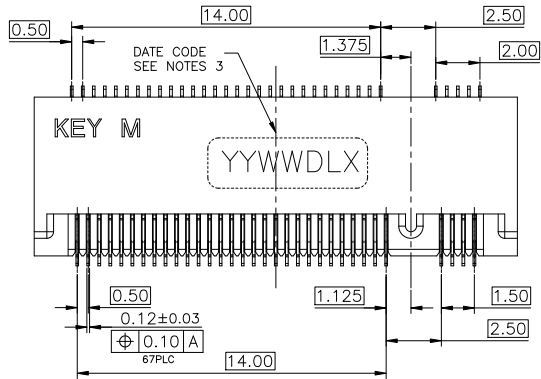


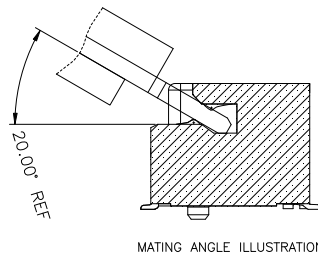
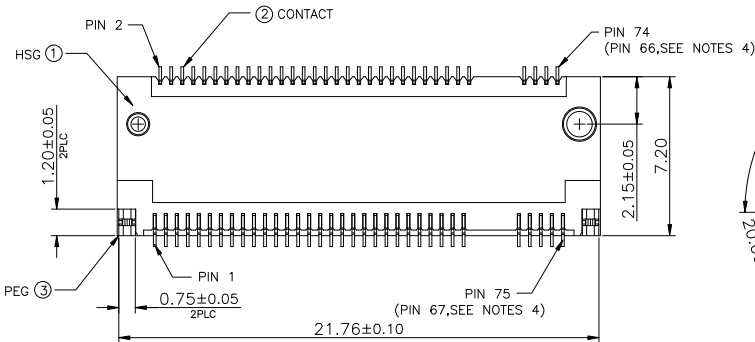
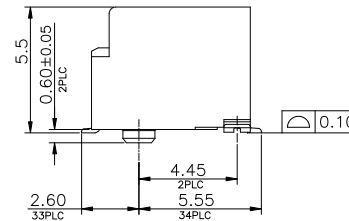
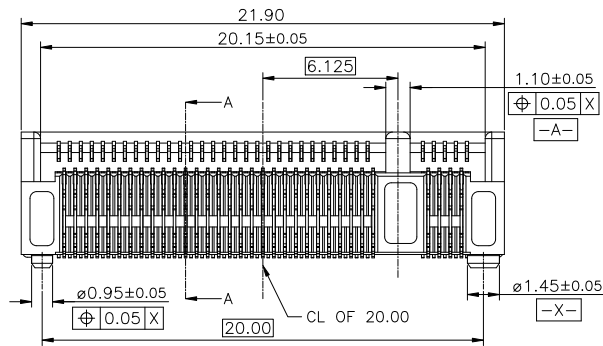
**HF**  
Halogen Free



NOTES:

1. MATERIAL:
  - 1.1 HOUSING:HIGH TEMPERATURE THERMOPLASTIC,UL94V-0,COLOR:BLACK.
  - 1.2. CONTACT:COPPER ALLOY.
  - 1.3. SOLDER PEG:STAINLESS STEEL.
2. FINISH:
  - 2.1 CONTACT:
    - UNDERPLATING NICKEL 50u" MIN OVERALL
    - MATING AREA:GOLD PLATING,THICKNESS SEE TABLE
    - SOLDER AREA:GOLD FLASH 1u"MIN.
  - 2.2 SOLDER PEG:
    - UNDERPLATING NICKEL 50u" MIN OVERALL
    - 80u"MIN MATTE TIN ON SURFACE
3. DATE CODE : YYWDLX
  - YY: YEAR (09: 2009)
  - WW: WEEK (25: THE 25TH WEEK)
  - D: DAY (1~7: SUNDAY~SATURDAY)
  - L: LINE NUMBER OF ASSEMBLY (A: LINE A)
  - X: D OR N (D: DAY; N: NIGHT)
4. CONNECTOR ACTUAL PIN QUANTITY IS 67, AS THE KEY TAKING OUT 8 PINS.
5. PRODUCT SPECIFICATION SEE FCI GS-12-1195
6. PART NUMBER DESCRIPTION:
  - 10128798-00XRLF

- LF:LEAD FREE & RoHS COMPLIANCE
- PACKAGE CODE:
  - R: TAPE & REEL PACKING
- PLATING CODE:
  - 1: GOLD FLASH ON CONTACT AREA
  - 4: 15u"Min GOLD ON CONTACT AREA
  - 5: 30u"Min GOLD ON CONTACT AREA



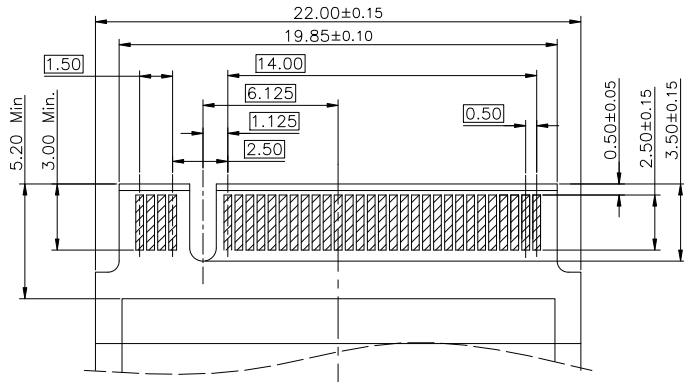
30u" Au	10128798-005RLF
15u" Au	10128798-004RLF
GOLD FLASH	10128798-001RLF
CONTACT AREA	FCI P/N

mat'l. code		surface	tolerance	projection	product family
ltr	ecn no	dr	date	tolerances unless otherwise specified	title
A		TAI	2015-03-20	angles	
				linear	M.2 CONNECTOR 5.50H_STD_KEY M
				X°±2°	
				scale	dwg no
		dr	BEER FU	2013-05-02	sheet 1 of 3
		enr	BEER FU	2013-05-02	size
		chr	BEER FU	2013-05-02	10128798
		appd	PM ZHENG	2015-03-20	A4
sheet index	revision sheet	A	A	A	type
		1	2	3	Customer Drawing

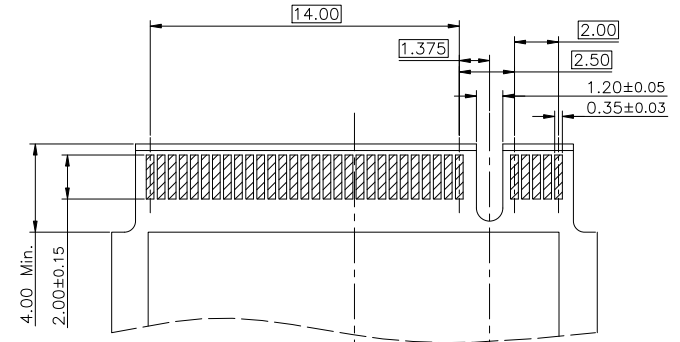
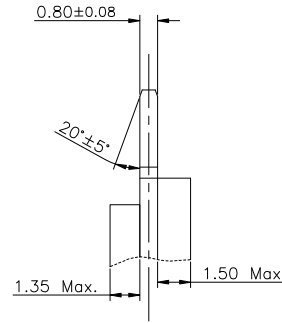
**HF**  
Halogen Free

~~RoHS~~

### PLUG PCB

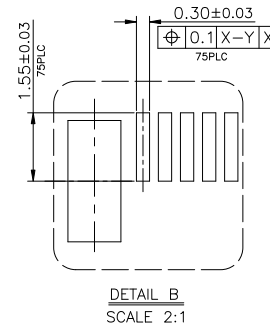
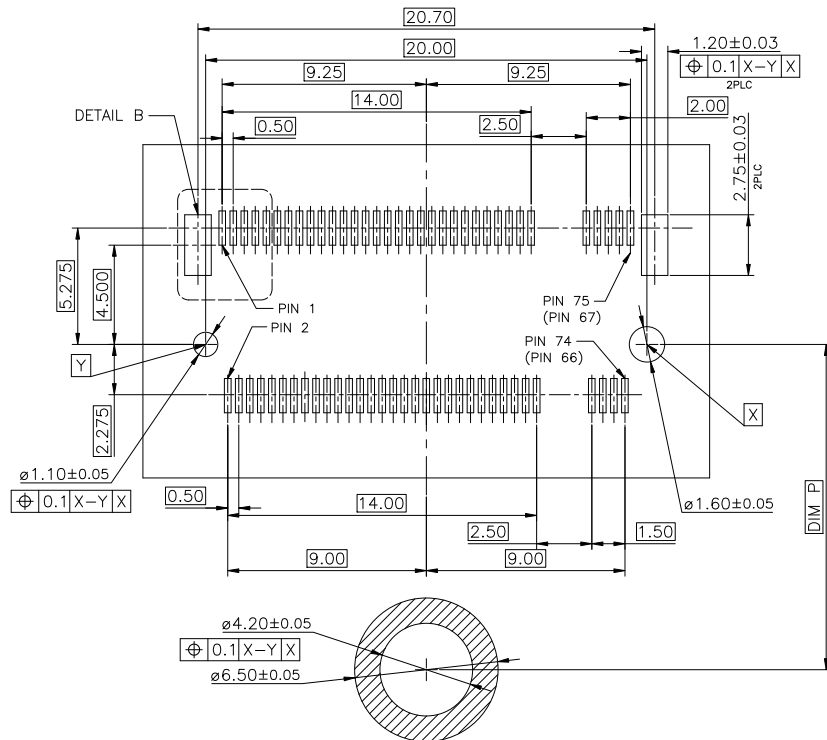


BOTTOM SIDE



TOP SIDE

### RECOMMENDED PCB LAYOUT

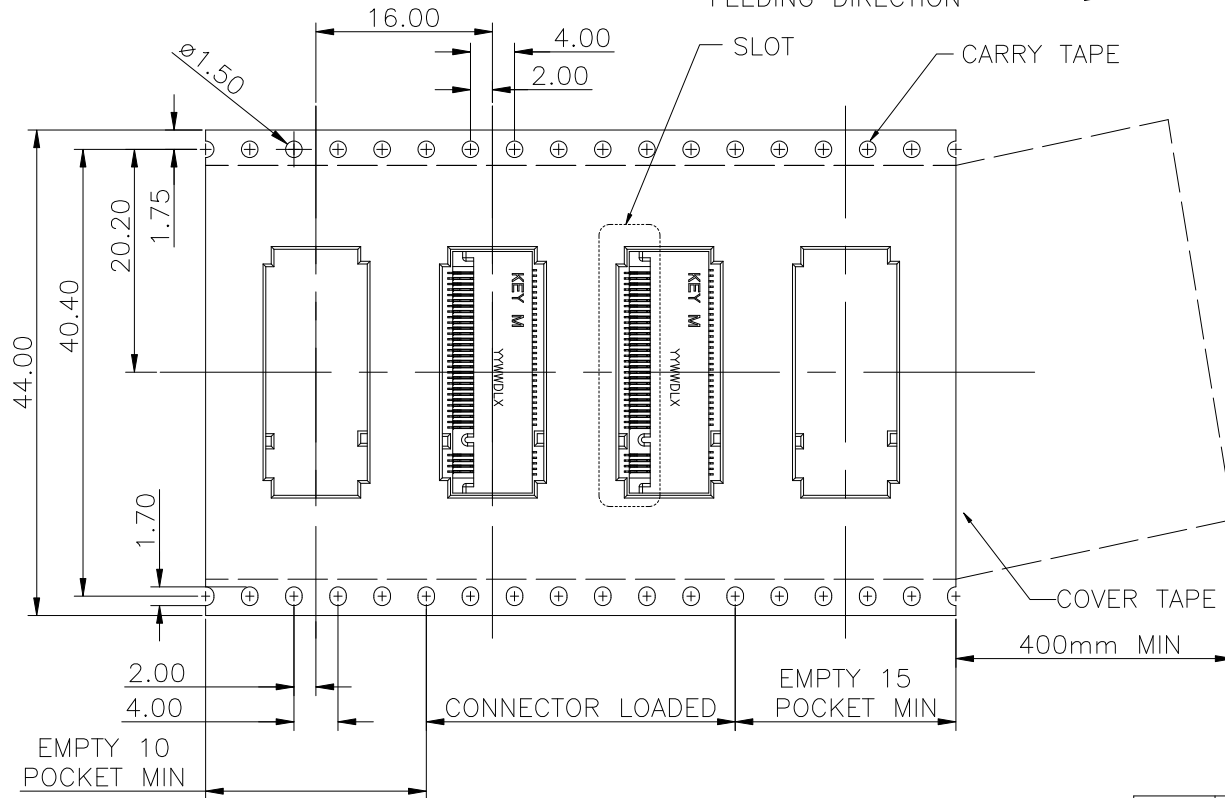
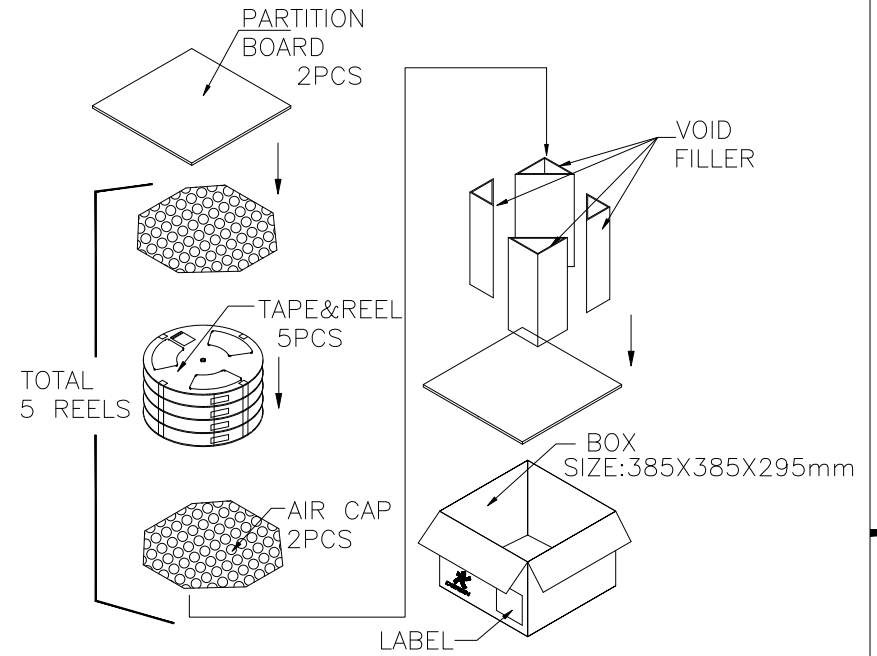
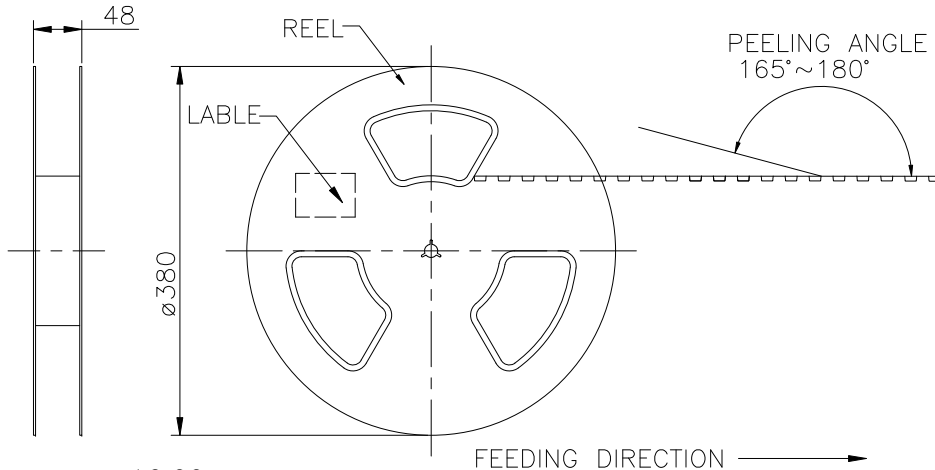


DETAIL B  
SCALE 2:1

<b>FCI</b>	dwg no	sheet 2 of 3	size
	10128798		A4
	type	Customer Drawing	

sheet index	revision	A	A	A									
	sheet	1	2	3									

**HF**  
Halogen Free



900	5	4500	9.06Kg	4.86Kg
PCS/ REEL	REELS/ BOX	PCS/BOX	GROSS WEIGHT	NET WEIGHT

	dwg no	sheet 3 of 3	size
	10128798		A4
	type	Customer Drawing	

sheet index	revision sheet	A 1	A 2	A 3															
-------------	----------------	-----	-----	-----	--	--	--	--	--	--	--	--	--	--	--	--	--	--	--

## X-ON Electronics

Largest Supplier of Electrical and Electronic Components

*Click to view similar products for [Power to the Board](#) category:*

*Click to view products by [Amphenol](#) manufacturer:*

Other Similar products are found below :

[10131318-08512GRLF](#) [6450171-4](#) [6450552-7](#) [6600323-8](#) [6643429-1](#) [6646040-2](#) [6651939-1](#) [6766604-1](#) [120959-1](#) [1393557-2](#) [1393532-2](#)  
[1393532-3](#) [1393532-4](#) [1393557-1](#) [1600812-5](#) [1-6450861-2](#) [1645595-1](#) [1743490-1](#) [1744132-7](#) [1761122-1](#) [1766169-1](#) [1766250-1](#) [18362](#)  
[1892109-1](#) [1-967627-6](#) [2226808-1](#) [2-6450860-5](#) [2-6450860-6](#) [2-6450870-0](#) [93003-0502](#) [953552-1](#) [1-6450161-4](#) [1-6450850-6](#) [1645526-2](#) [1-](#)  
[6600130-0](#) [1743419-1](#) [1766150-1](#) [2005243-2](#) [211110-1](#) [2-6600130-2](#) [TE34-12-16P-F0](#) [5-6450830-6](#) [5646956-4](#) [36662-0005](#) [40585-3000](#) [4-](#)  
[6450830-9](#) [4-6600333-3](#) [51142-0214](#) [10134048-911LF](#) [10130248-005LF](#)