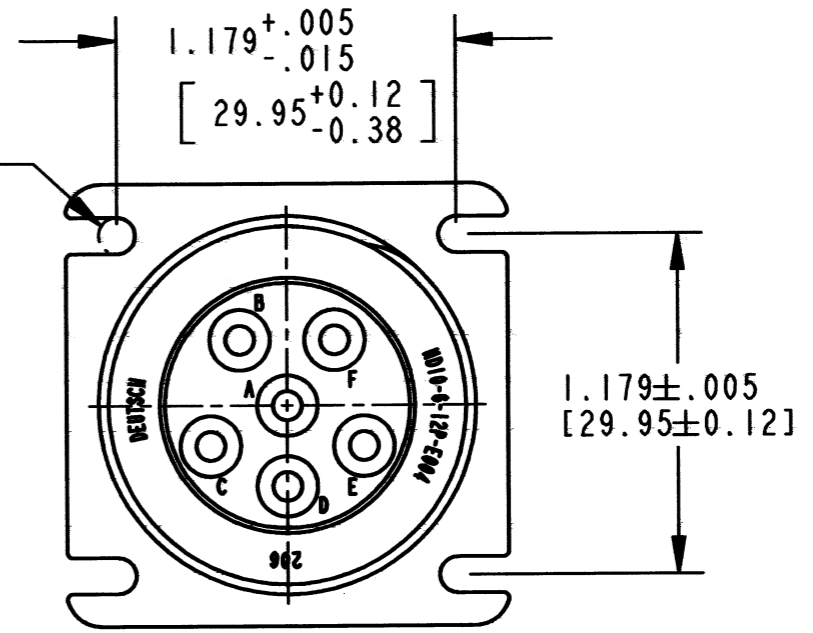
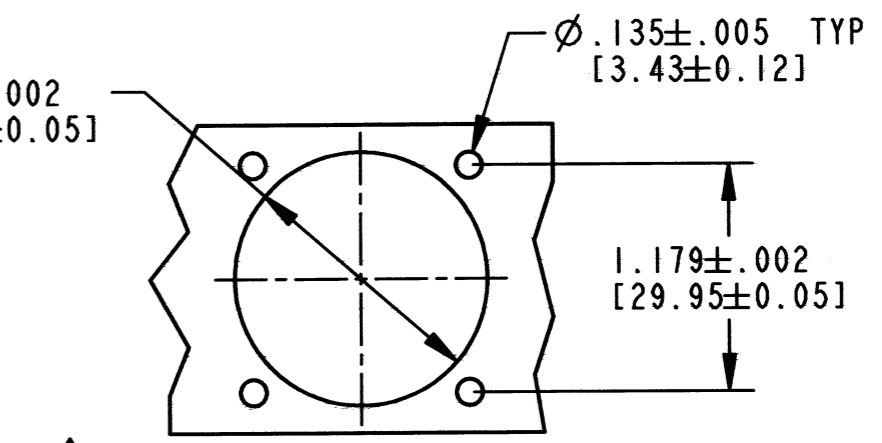


∅ .125±.015 4PL
(PHANTOM LINE FOR
CLARIFICATION ONLY)



∅ 1.317±.002
[33.45±0.05]



4 RECOMMENDED PANEL
CUTOUT

REV
NC HD10-6-12P-E004

REVISIONS			
SYM	DESCRIPTION	DATE	APPROVED
NC	NEW RELEASE PER E.O. P20861	7-14-11	RDA

- 9. COUNTRY OF ORIGIN IF OTHER THAN USA.
EXAMPLE: MADE IN CHINA
- 8. MATERIAL: SHELL: PLASTIC; SEAL: RUBBER.
- 7. OVERALL DIMENSION DOES NOT INCLUDE RUBBER GROMMET.
- 6. THIS RECEPTACLE MATES WITH THE HD16-6-12S*-**** PLUG (*=SEAL TYPE, ****= ALL MODIFICATIONS).
- 5. FOR "PERFORMANCE AND APPLICATION CHARACTERISTICS OF SOLID/STAMPED AND FORMED CONTACTS AND WIRES", SEE ENVELOPE DRAWING 0425-015-0000. THIS RECEPTACLE USES PIN CONTACTS ONLY.
- 4. MAXIMUM PANEL THICKNESS IS .250 [6.35].
- 3. ALL DIMENSIONS ARE IN INCHES [MILLIMETERS].
- 2. THIS CONNECTOR WILL ACCOMMODATE THE FOLLOWING WIRE INSULATION DIAMETERS:

CONTACT SIZE	MINIMUM O.D.	MAXIMUM O.D.
12	.134 [3.40]	.170 [4.31]

1. CONSULT FACTORY FOR ELECTRICAL AND MATERIAL SPECIFICATION.
NOTES:

SIGNATURE & DATE	
DR	I. GRANTCHAROVA 3/25/11
CHK	B. Buford 7/14/2011
PE	R. G. ... 5/20/11
APPD	S. ... 7/12/11
SCALE	NONE WT

RECEPTACLE
SQUARE FLANGE
HD10 SERIES
ARR. 6-12
COLOR: BLACK

ENVELOPE

EP	MATL. CODE
3850 INDUSTRIAL AVE. HEMET, CA 92545	
B	HD10-6-12P-E004
DWG SIZE	CODE 11139 SHEET OF

X-ON Electronics

Largest Supplier of Electrical and Electronic Components

Click to view similar products for [Automotive Connectors](#) category:

Click to view products by [TE Connectivity](#) manufacturer:

Other Similar products are found below :

[003-018-000](#) [600858](#) [60403001](#) [60993906-B](#) [60993913-B](#) [629515004020001](#) [M902-2131](#) [M902-2161](#) [M902-2344](#) [72.330.1035.1](#)
[73.353.4028.0](#) [F118010](#) [F119300-B](#) [F132210](#) [F132210-B](#) [F166900](#) [F180100](#) [F258300](#) [F258300-B](#) [F294300-B](#) [F339100](#) [F339700](#) [F358300-](#)
[B](#) [F374110](#) [F407400](#) [F412210](#) [F427600](#) [F444110](#) [F487000](#) [F495100-B](#) [F500900-B](#) [F509500B-B](#) [770444-1](#) [776880-1](#) [827153-1](#) [881735-1](#)
[8N1515-32-24P](#) [9-1326727-8](#) [9-1326729-8](#) [925467-1](#) [925474-1](#) [928905-1](#) [936398-2](#) [964562-1](#) [964562-4](#) [964731-2](#) [965051-1](#) [968782-1](#)
[GT17SA-8DS-HU](#) [GT17VS-10DP-5.2CF](#)