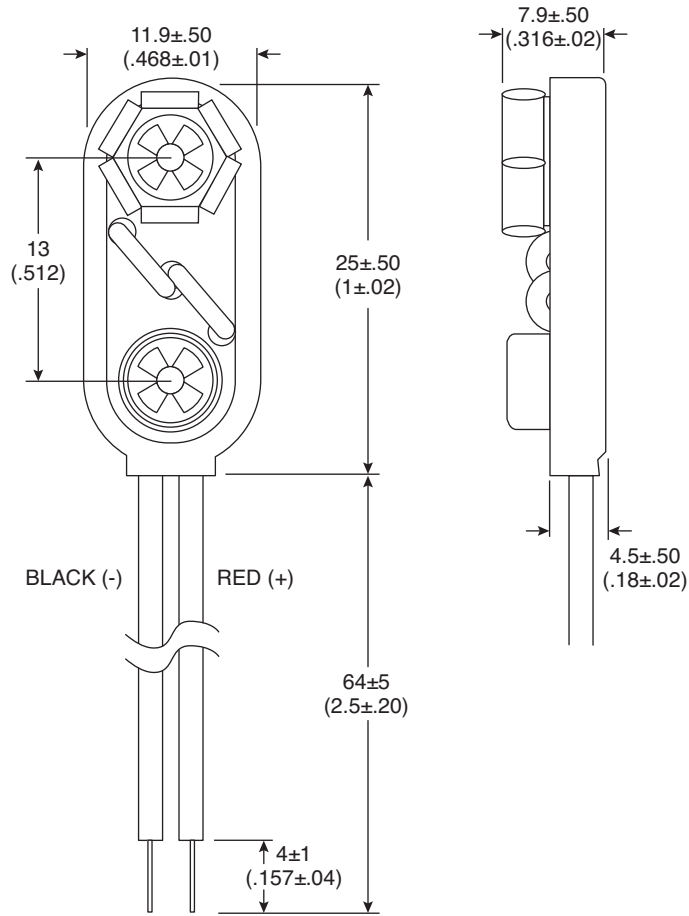


Date Last Revised: 4-17-12



DIMENSIONS: mm (in.)

SPECIFICATIONS	
Leads:	AWG#26
Snap:	With 6 prong snap terminal
Material:	A.B.S. Resin, black color
RoHS Compliant	

Available from Mouser Electronics
 1-800-346-6873
 www.mouser.com

EPD-200762

X-ON Electronics

Authorized Distributor

Click to view similar products for 9V Battery Snaps & Contacts category:

[2241](#) [F1-U2ZD UN](#) [XPEB310](#) [CFUHC1](#) [616-1800-247](#) [6210-0113](#) [F2-SU1Z/SU1Z UN](#) [T-](#)
[91-SC36](#) [1290](#) [971-SO](#)