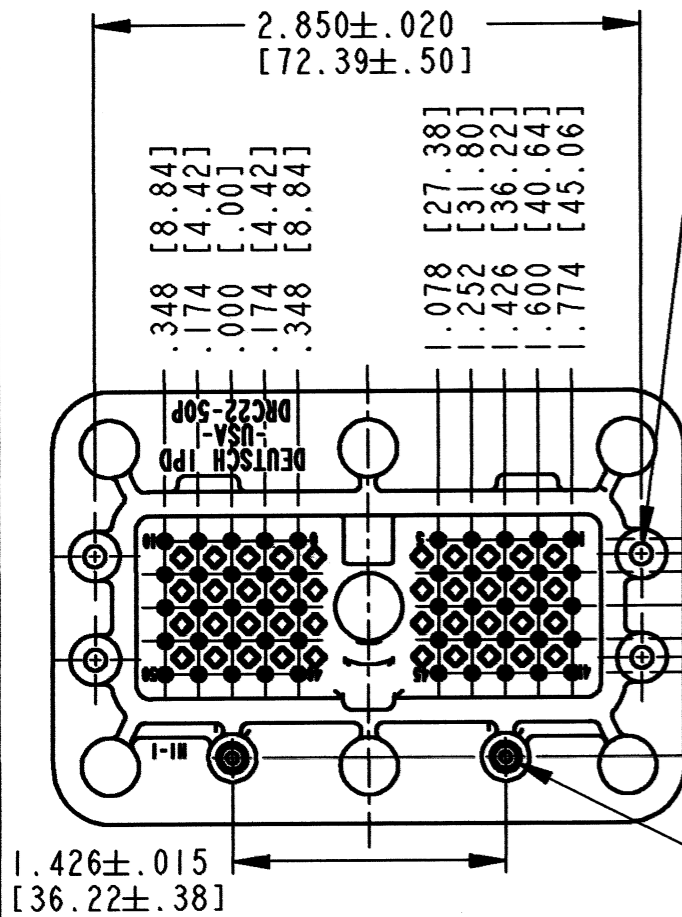
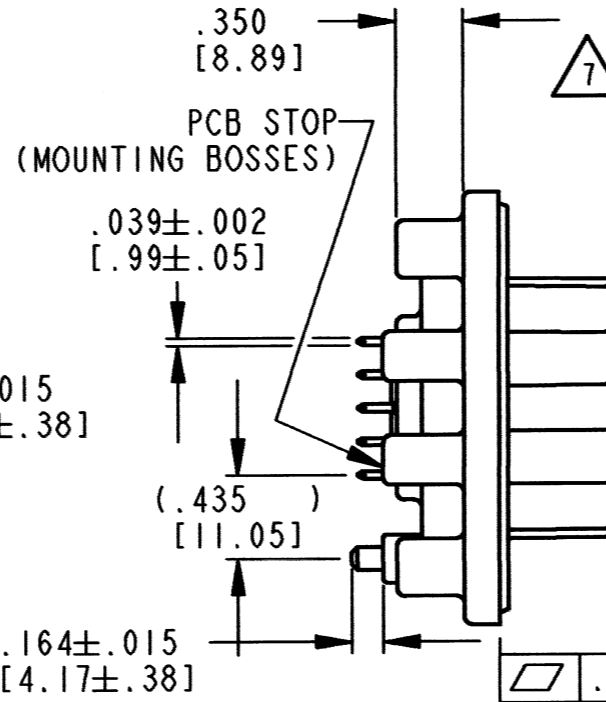


3-DIMENSIONAL VIEW

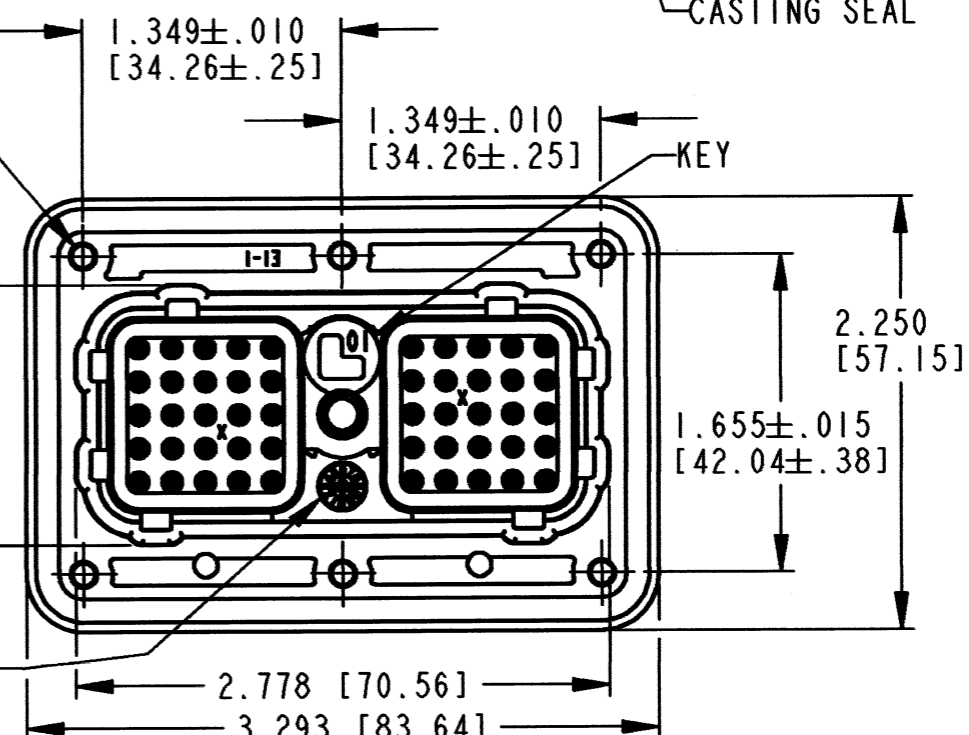
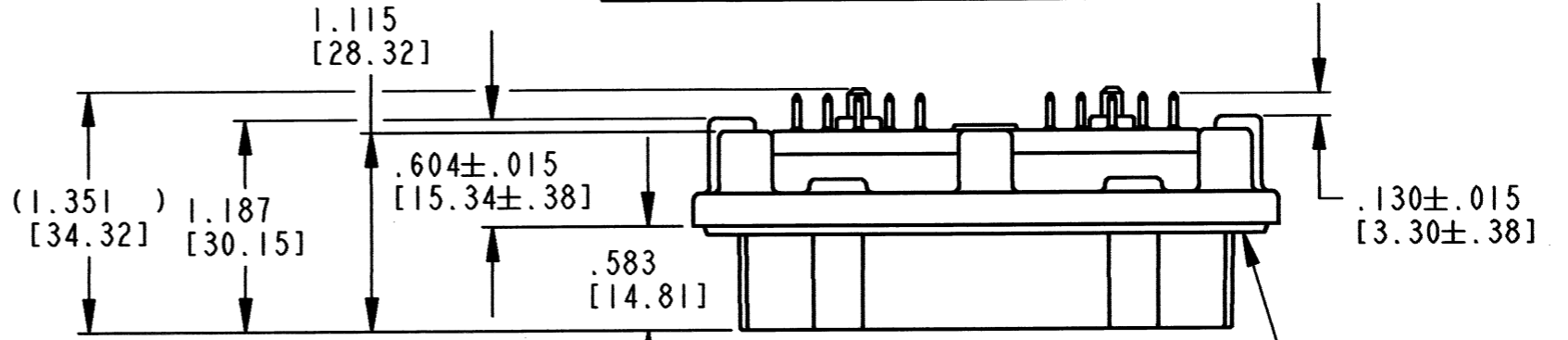
REV	REVISIONS			
E	SYM	DESCRIPTION	DATE	APPROVED
	B	REVISED PER E.O. PI8877	3-30-05	R.D.R.
	C	REVISED PER E.O. PI9527	5-22-07	R.D.R.
	D	REVISED PER E.O. PI9558	7-6-07	R.D.R.
	E	REVISED PER E.O. P20602	9-7-10	ADR



4X ϕ .110±.005 [2.79±.12] Δ 8
 .375 ±.015 DEEP
 USES #4-20 SELF TAPPING SCREW



Δ 7 6X ϕ .120±.005 [3.05±.12]
 .472 ±.015 DEEP
 USES #6-19 SELF TAPPING SCREW



- NOTES:
- DIMENSIONS ARE IN INCHES [MILLIMETERS].
 - DIMENSIONS ARE \pm .025 [0.63] UNLESS OTHERWISE SPECIFIED.
 - THIS RECEPTACLE MATES WITH DRC26-50S**-* (**** = ALL MODIFICATIONS). CONSULT FACTORY FOR MODIFICATIONS.
 - RECEPTACLE IS SHIPPED WITHOUT DUST CAP.
 - MATERIALS: HIGH TEMP NYLON GF - BLACK
 CONTACT: COPPER ALLOY GOLD INTERFACE SIDE, TIN PCB SIDE
 CASTING SEAL: SILICONE RUBBER
 - PCB CONTACT TOLERANCE FROM DATUMS: \pm .008 [0.20]

Δ 8 RECOMMENDED SCREW: 4-20 [M3.12 x 1.27] THREAD-FORMING SCREW. TORQUE: 6-10 IN-LB [.68-1.13 NM].

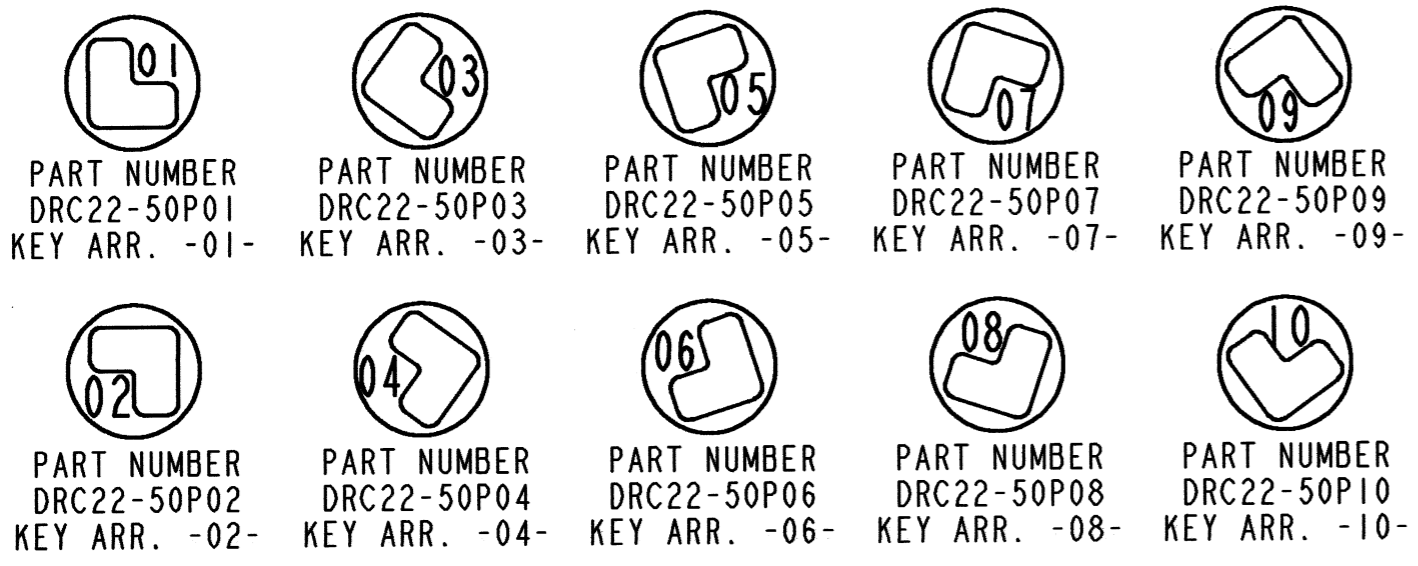
Δ 7 RECOMMENDED SCREW: 6-19 [M3.63 x 1.34] THREAD-FORMING SCREW. TORQUE: 10-20 IN-LB [1.13-2.25 NM].

SIGNATURE & DATE	
DR	S. THEIS 10/10/00
CHK	<i>[Signature]</i> 9/1/10
PE	<i>[Signature]</i> 9/1/10
APPD	<i>[Signature]</i> 9-7-10
SCALE	NONE WT

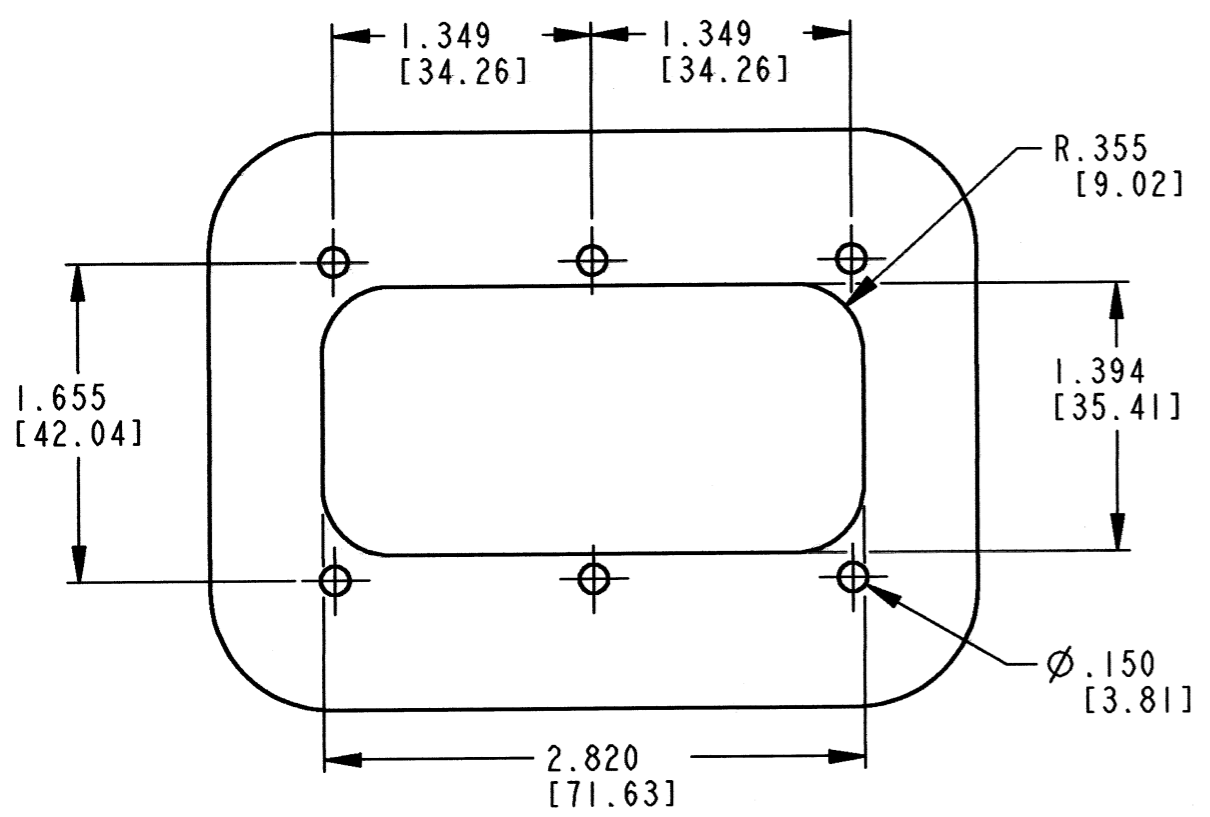
RECEPTACLE WITH FLANGE
 50 PIN
 COLOR: BLACK
 DRC SERIES
 ENVELOPE

EP 100	MATL. CODE
3850 INDUSTRIAL AVE. HEMET, CA 92545	
B	DRC22-50P**
DWG SIZE	CODE 11139 SHEET 1 OF 2

REV E	DRC22-50P * *	REVISIONS			
		SYM	DESCRIPTION	DATE	APPROVED
		E	SEE SHEET 1	9/17/10	DM

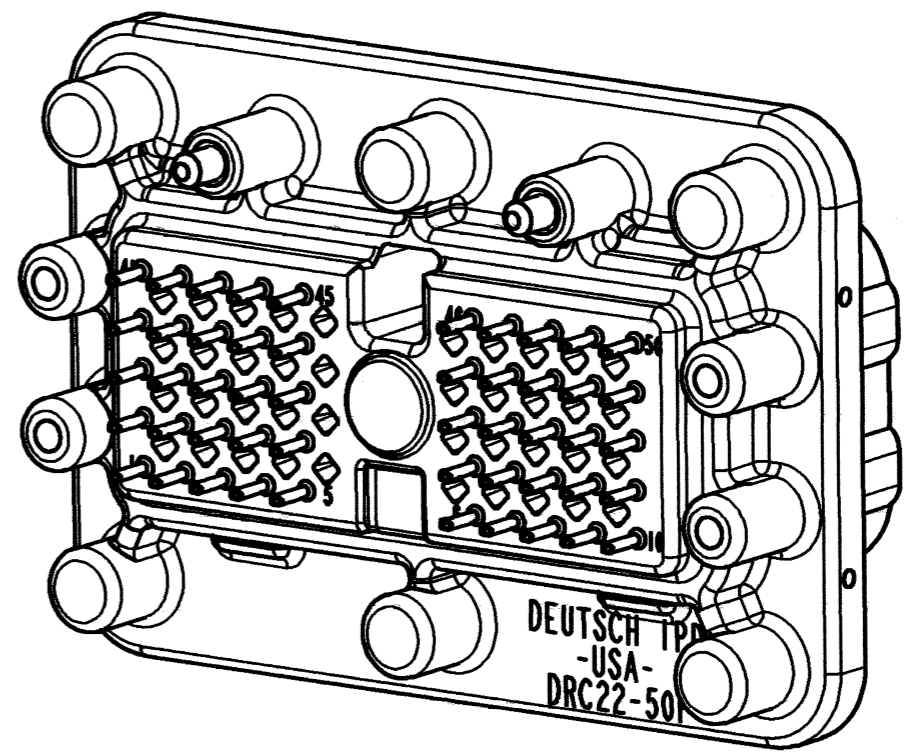


KEY ARRANGEMENTS
 ** - AT END OF PART NUMBER DESIGNATES KEYING ARRANGEMENT. EX: DRC22-50P02



RECOMMENDED PANEL CUT OUT
 -FOR REFERENCE ONLY-
 SURFACE FINISH TO BE 63/ OR BETTER

NOTES:



	SIGNATURE & DATE	RECEPTACLE WITH FLANGE	EP 100	MATL. CODE
DR	S. THEIS 9/6/00	50 PIN		
CHK	DMeyer 9/17/10	COLOR: BLACK	3850 INDUSTRIAL AVE. HEMET, CA 92545	
PE	DMeyer 9/17/10	DRC SERIES	DEUTSCH INDUSTRIAL	
			B DRC22-50P * *	
APPD	DMeyer 9/17/10		DWG SIZE	CODE 11139
SCALE	NONE	ENVELOPE	SHEET 2 OF 2	

X-ON Electronics

Largest Supplier of Electrical and Electronic Components

Click to view similar products for [Automotive Connectors](#) category:

Click to view products by [TE Connectivity](#) manufacturer:

Other Similar products are found below :

[003-018-000](#) [600858](#) [60403001](#) [60993906-B](#) [60993913-B](#) [629515004020001](#) [M902-2131](#) [M902-2161](#) [M902-2344](#) [72.330.1035.1](#)
[73.353.4028.0](#) [F118010](#) [F119300-B](#) [F132210](#) [F132210-B](#) [F166900](#) [F180100](#) [F258300](#) [F258300-B](#) [F294300-B](#) [F339100](#) [F339700](#) [F358300-](#)
[B](#) [F374110](#) [F407400](#) [F412210](#) [F427600](#) [F444110](#) [F487000](#) [F495100-B](#) [F500900-B](#) [F509500B-B](#) [770444-1](#) [776880-1](#) [827153-1](#) [881735-1](#)
[8N1515-32-24P](#) [9-1326727-8](#) [9-1326729-8](#) [925467-1](#) [925474-1](#) [928905-1](#) [936398-2](#) [964562-1](#) [964562-4](#) [964731-2](#) [965051-1](#) [968782-1](#)
[GT17SA-8DS-HU](#) [GT17VS-10DP-5.2CF](#)