

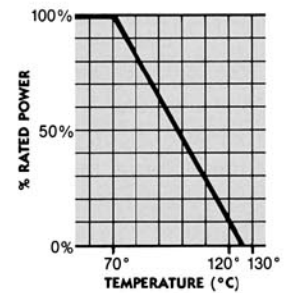
# CONDUCTIVE PLASTIC SINGLE-TURN PRECISION POTENTIOMETERS



SERVO MOUNT/BALL BEARING  
MODEL 1721

| SERVO MODEL  | 1721            |
|--|-----------------|
| <b>ELECTRICAL</b>                                    |                 |
| Theoretical Electrical Travel                        | 350°            |
| Normal Resistance Range                              | 1.2K to 75K     |
| Extended Resistance Range <sup>(1)</sup>             | 600Ω to 200K    |
| Resistance Tolerance: Standard %                     | ± 10            |
| Best Practical %                                     | ± 5             |
| Power Rating At 70°C, Derating To 0 At 125°C (Watts) | 2.0             |
| Linearity, Independent, Tolerance, Standard %        | ± 0.2           |
| Best Practical %                                     | ± 0.06          |
| Output Smoothness Max. (% Of Applied Voltage)        | 0.1             |
| End Voltage Max. (% Of Total Applied Voltage)        | 0.5             |
| Insulation Resistance At 500 VDC, Min. (Megohms)     | 1000            |
| Dielectric Withstanding Voltage (Volts RMS)          | 1000            |
| Max. Applied Voltage (Volts DC) <sup>(2)</sup>       | 400             |
| Temperature Coefficient Of Potentiometer, Max. %/°C  | -.07            |
| <b>MECHANICAL</b>                                    |                 |
| Total Mechanical Travel                              | 360° Continuous |
| Mechanical Life, Shaft Revolutions                   | 50 million      |
| Ganged Cups, Max. (Number)                           | 8               |
| Taps, Max., Excluding End Terminations               | 26              |
| Moment Of Inertia, Per Cup (gm-cm <sup>2</sup> )     | 5.0             |
| Weight: Single Cup (oz.)                             | 3.3             |
| Each Additional Cup (oz.)                            | 1.0             |
| Torque, Max. Per Cup (oz.-in)                        | 0.8             |
| Pilot Diameter Runout, Max.                          | .0015           |
| Lateral Runout, Max.                                 | .002            |
| Shaft Runout, Max.                                   | .001            |
| Shaft Radial Play, Max.                              | .002            |
| Shaft End Play, Max.                                 | .0015           |
| Dimension For Each Additional Cup                    | .562 ± .002     |
| <b>ENVIRONMENTAL</b>                                 |                 |
| Temperature Range (°C) Standard                      | -55 to +125     |

- (1) All specifications listed apply to units with a total resistance within the normal resistance range. Higher or lower resistances may require some degradation of listed specifications because of resistance material composition.
- (2) Not to exceed specified power rating.

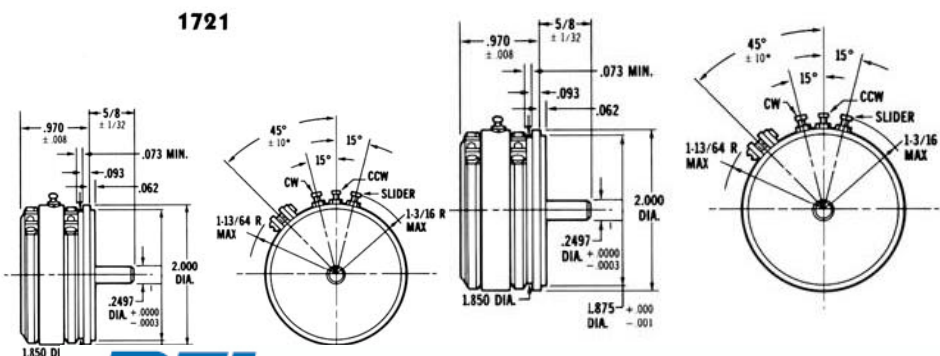


ALL MODELS are manufactured to meet or exceed applicable characteristics of MIL-R-39023. For MILITARY-APPROVED (QPL) Listings, see page 52.

**TOLERANCES UNLESS OTHERWISE SPECIFIED:**

FRACTIONAL: ± 1/64" DECIMAL: ± .005" ANGULAR: ± 1°

## 1721



Tel: 805-968-0782 / 800-350-2727 | Fax: 805-968-3154 / 800-960-2726  
7230 Hollister Ave., Goleta, CA 93117-2807 | [www.beisensors.com](http://www.beisensors.com)

## X-ON Electronics

Largest Supplier of Electrical and Electronic Components

*Click to view similar products for [Precision Potentiometers](#) category:*

*Click to view products by [BEI Sensors](#) manufacturer:*

Other Similar products are found below :

[578002M9648](#) [63961-1K5](#) [7386R500T1L.25](#) [176FL1-284](#) [F78SB102-M257](#) [3548H-1AA-103B](#) [MH12B-10L-10K](#) [J-125-503B](#)  
[RO200SF1A102](#) [78MKV-134](#) [55LR20K](#) [72N4N048S203W](#) [7386R200L.25](#) [114BF2A102-L774](#) [200FL1-199](#) [78FL1-397](#) [78MKV-128](#)  
[200FL1-260](#) [3590P-1-201L](#) [282TCBS103A25B1](#) [7284R1KL.25](#) [3590P-1-102L](#) [3548H-1AB-502A](#) [7286R10KL.1](#) [3590P-2-202L](#) [157-0237](#)  
[1521R10KL.3](#) [552B1502](#) [164-9552](#) [284TBBK103A26B1](#) [SP22G-500](#) [DC22-10-100](#) [JC22S 1K 0.5%](#) [RCL-100](#) [3590P-4-503L](#) [15A31B10](#)  
[3548H-1AA-102B](#) [MW12B-5R-10K](#) [SP22E-100K](#) [404R10KL1.0](#) [AR300KL.25](#) [AR2KL.25](#) [AR1KL.25](#) [MC6CX1A502X001](#) [7286R100L.25](#)  
[7286R20KL.25](#) [6638S-1-103](#) [404R1KL1.0](#) [3590P-2-203L](#) [3590P-1-103L](#)