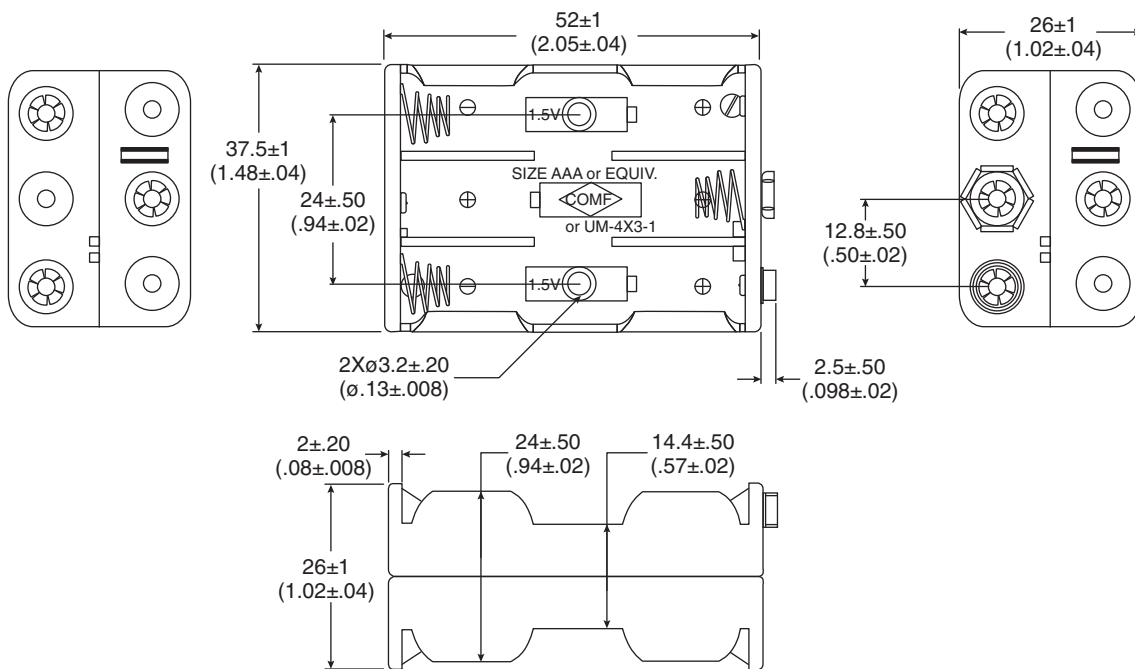
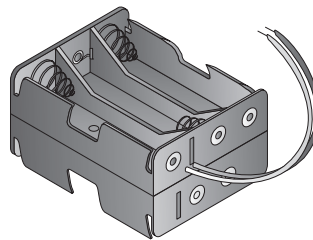


Date Last Revised: 04-1-10



Dimensions: mm (in.)

SPECIFICATIONS	
Terminal:	6 Prong Snap
Material:	PP Resin, Black Color
Spring:	0.6mm 65C Spring Wire
RoHS Compliant	

X-ON Electronics

Authorized Distributor

Click to view similar products for Cylindrical Battery Contacts, Clips, Holders & Springs category:

[1185](#) [1076](#) [1129](#) [FLUKE 707](#) [1101](#) [5230](#) [1198](#) [1014](#) [163-165](#) [MM2030](#)