

DTZF / D45ZF-SERIES 



## TECHNICAL SPECIFICATIONS

## DTZF - TOP ENTRY

**Material:** Zinc, Nickel Plated

**Operating Temperature:** -45°C to + 105°C

**Cable Entry:** Top Entry

**Thumbscrews:** UNC 4-40 (Standard)

**Cable O.D.:**

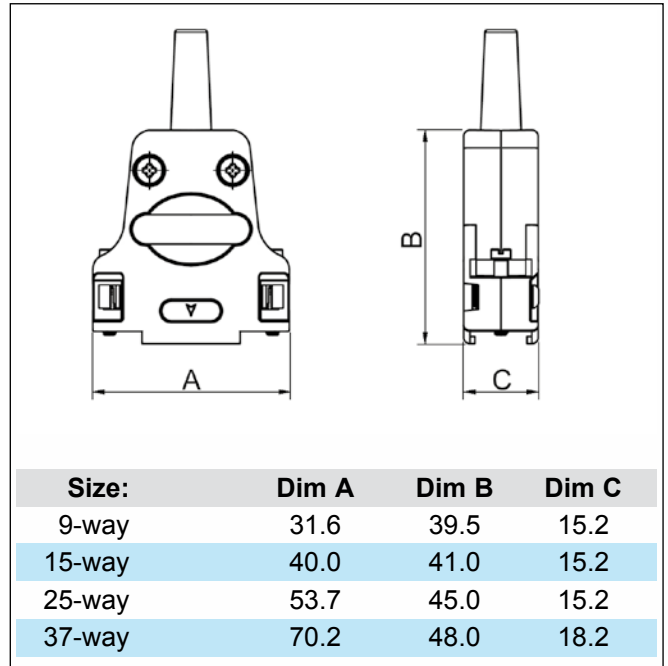
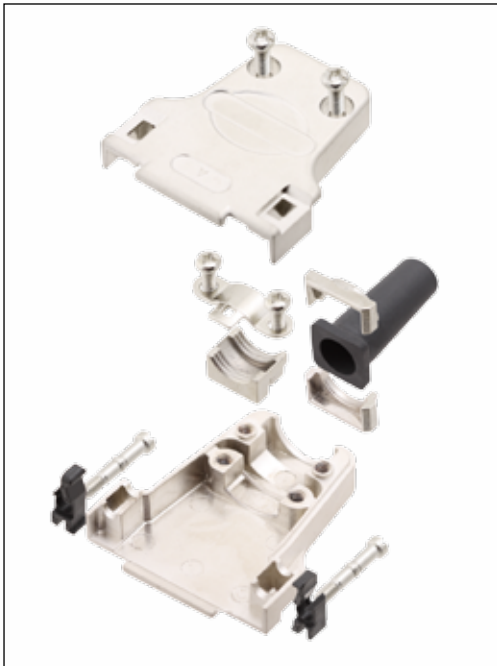
- 9-Way: Up to 9,5mm
- 15-Way: Up to 9,5mm (Type A)
- 15-Way: Up to 12,5mm (Type B)\*
- 25-Way: Up to 9,5mm (Type A)
- 25-Way: Up to 12,5mm (Type B)\*
- 37-Way: Up to 12mm (Type A)
- 37-Way: Up to 15mm (Type B)\*

**Type A is standard. Type B on request**



### Features:

- Available in sizes 9-15-25-37
- Excellent EMI Shielding
- Re-openable
- Spring-Clip mounted Jackscrews
- Available without rubber grommet on request



### DTZF - Top Entry

### KIT

**Size: P/N Kit: Product Code:**

9-way	7960-0205-01	DTZF09-K
15-way	7960-0205-02	DTZF15-K
25-way	7960-0205-03	DTZF25-K
37-way	7960-0205-04	DTZF37-K

### BULK

**Size: P/N Bulk: Product Code:**

9-way	7961-0205-01	DTZF09
15-way	7961-0205-02	DTZF15
25-way	7961-0205-03	DTZF25
37-way	7961-0205-04	DTZF37



## TECHNICAL SPECIFICATIONS

## D45ZF - SIDE ENTRY

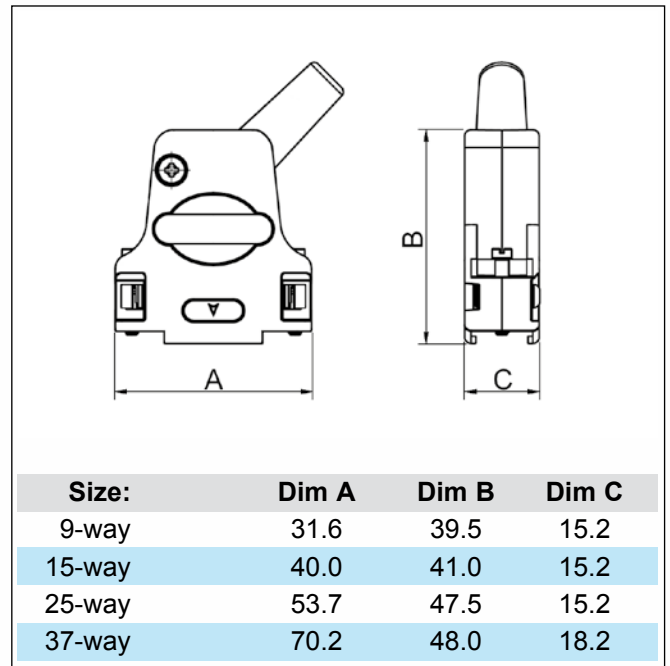
<b>Material:</b>	Zinc, Nickel Plated
<b>Operating Temperature:</b>	-45°C to + 105°C
<b>Cable Entry:</b>	Side Entry
<b>Thumbscrews:</b>	UNC 4-40 (Standard)
<b>Cable O.D.:</b>	9-Way: Up to 9,5mm 15-Way: Up to 9,5mm (Type A) 15-Way: Up to 12,5mm (Type B)* 25-Way: Up to 9,5mm (Type A) 25-Way: Up to 12,5mm (Type B)* 37-Way: Up to 12mm (Type A) 37-Way: Up to 15mm (Type B)*

**Type A is standard. Type B on request**



### Features:

- Available in sizes 9-15-25-37
- Excellent EMI Shielding
- Re-openable
- Spring-Clip mounted Jackscrews
- Available without rubber grommet on request



D45ZF - Side Entry			KIT
Size:	P/N Kit:	Product Code:	
9-way	7960-0206-11	D45ZF09-K	
15-way	7960-0206-12	D45ZF15-K	
25-way	7960-0206-13	D45ZF25-K	
37-way	7960-0206-14	D45ZF37-K	

D45ZF - Side Entry			BULK
Size:	P/N Bulk:	Product Code:	
9-way	7961-0206-11	D45ZF09	
15-way	7961-0206-12	D45ZF15	
25-way	7961-0206-13	D45ZF25	
37-way	7961-0206-14	D45ZF37	



## About us:

Encitech is a Swedish company with more than 35 years experience in the design, manufacture and distribution of electronic components world-wide. Our core business is the manufacture of connectors and covers for both cable and board mount applications.

In addition to our manufactured product range, Encitech is also a Franchised Distributor for many well known manufacturers. This allows us to offer products and solutions for many industries including Automotive, Heavy Industry, Medical, Telecommunications and Marine.

## Encitech Product range:



Connector Hoods



Connectors



IP67/68 Connectors



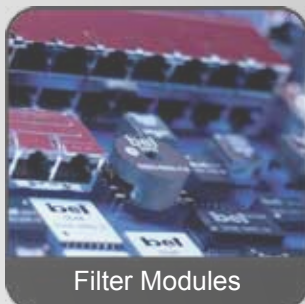
Overmold / Potting



Modular Connectors



Circuit Protection



Filter Modules



Power Modules



Cabinets



Cable & Pipe Sealings



Air Conditioners



Accessories

## Encitech

Rörkullsvägen 4  
SE-302 41 HALMSTAD  
Sweden

Tel: +46-(0)35-15 13 90  
Fax: +46-(0)35-15 13 99  
e-mail: [connectors@encitech.com](mailto:connectors@encitech.com)  
web: [www.encitech.com](http://www.encitech.com)



[www.encitech.com](http://www.encitech.com)

## X-ON Electronics

Largest Supplier of Electrical and Electronic Components

*Click to view similar products for [D-Sub Standard Connectors](#) category:*

*Click to view products by [Encitech](#) manufacturer:*

Other Similar products are found below :

[DCM37S732N](#) [DAM15P500](#) [DEV09S364GTLF](#) [DEM09P032N](#) [DDM50P732N](#) [DAM15S332N](#) [173109-2218](#) [173109-2466](#) [173109-2436](#)  
[173109-2435](#) [56F706-005-LI](#) [56F711-015](#) [015-0341-000](#) [015-0372-008](#) [015-8544-011](#) [017041-0005](#) [020419-0104](#) [012-0515-000](#) [012-9507-](#)  
[034](#) [012-9507-114](#) [012-9534-001](#) [020745-0008](#) [609-25P](#) [M24308/2-23Z](#) [M243082310F](#) [M243082410F](#) [M243082411F](#) [M24308/4-21](#)  
[CT1A18-11PSA206](#) [CT1N36-5SC](#) [CT2-16S-17PS](#) [CT2-20-15PCAU](#) [CT2-24-12PS](#) [CT2-24-28PSF127A206](#) [CT2-32-9PC](#) [CT6F9767-14-4-](#)  
[14S-5PC](#) [CT6FA10SL-4PS](#) [CT7-18-10SC](#) [CT7-18-10SCAU](#) [CT7-18-12SCAU](#) [CT7-18-1PC](#) [CT7-18-1PCAU](#) [CT7-18-21SCAU](#) [M83513/01-](#)  
[FC](#) [M83723/76W24619 L/C](#) [M85049/48-3-2F](#) [69001-865](#) [6STD09PCM99B70X](#) [6STD09SCM99B30X](#) [6STD09SCT99S40X](#)