

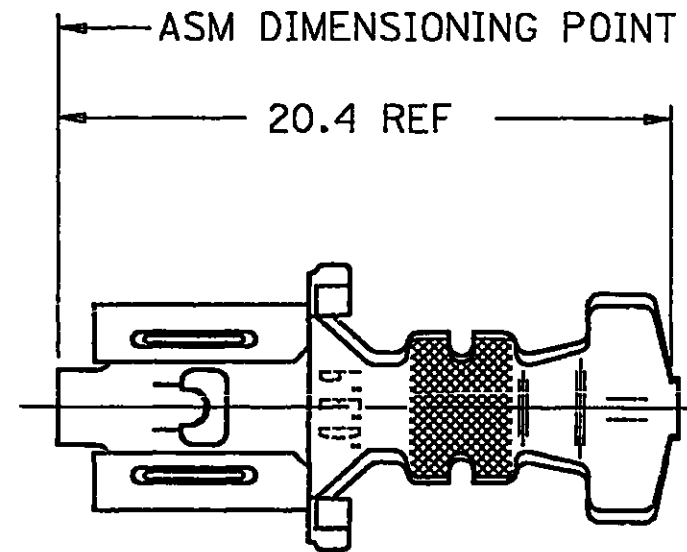
D

THIS DRAWING AND DESIGN HEREON CONSTITUTES A PROPRIETARY DESIGN OF PACKARD ELECTRIC DIVISION AND IS NOT TO BE DUPLICATED OR REPRODUCED WITHOUT AUTHORITY OF PACKARD ELECTRIC DIVISION.

DO NOT SCALE

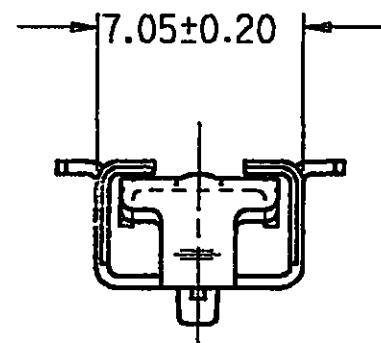
PACKARD ELECTRIC DIVISION
GENERAL MOTORS CORPORATION
WARREN, OHIO

PART NO.
1203 4001

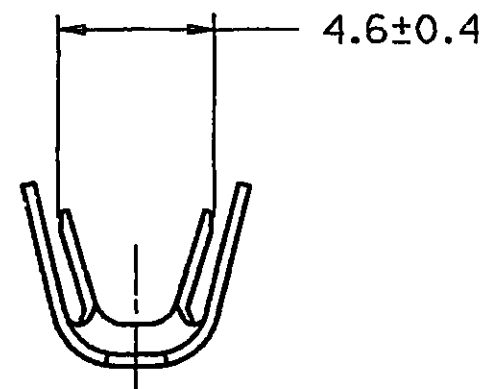


INSULATION WINGS FOR
5.24 MM MAX INSUL DIA

CONDUCTOR WINGS FOR
5.0-3.0 MM² CABLE



5.20



DATE	SYM	N/P	REVISION RECORD	AUTHORITY	DR	CK
18JL88	-	-	REDRAWN & REVISED; REMOVED			
			"PATENT PENDING"; SHT #4 WAS			
			SHT #2 IN REF NO; REV LEVEL			
			REMAINS AT "D"	120124	AL	DKS
18JL88	E		PICTURE REVISED	120126	AL	DKS
30JN93	F		REVISED GRAPHICS & 5.20 WAS 5.40	154898	RLB	BKD
05FE09	07		WAS UNPLATED AND MAT'L			
			SPEC WAS S-1519030	407263	EFS	FKV
01JL11	07	AA	UPDATED MAT'L CALLOUT	414727	AHY	GEM

PED/INTEGRAL
EMS

FILE: bdew /usr2/bdew/4001.plt
SPEC: 01-SEP-1993 17:04

THIRD ANGLE PROJECTION

METRIC
DIMENSIONS ARE IN MILLIMETERS
UNLESS OTHERWISE SPECIFIED.

CODE NO. 6900

TOLERANCE UNLESS OTHERWISE SPECIFIED
DECIMAL: ONE PLACE ± 0.3 ANGULAR ± 2°
TWO PLACE ± 0.15

Q.C.

DWG. DATE 17MY82 SCALE NONE DR.

EST. NO. CK. F. HESTON DATE 12JA85

REFERENCE NO. SHEET #4 APPR. DATE
12015135 "D" SIZE APPR. R. D. KEARNS DATE 31JA85

MATERIAL SPEC. TIN PLATING COPPER ALLOY

NAME TERM F M/P 630 SPL PLATED TANG

PART NO. 1203 4001 SIZE B
OUTLINE DRAWING

X-ON Electronics

Largest Supplier of Electrical and Electronic Components

Click to view similar products for [Automotive Connectors](#) category:

Click to view products by [Delphi](#) manufacturer:

Other Similar products are found below :

[003-018-000](#) [600858](#) [60403001](#) [60993906-B](#) [60993913-B](#) [629515004020001](#) [M902-2131](#) [M902-2161](#) [M902-2344](#) [72.330.1035.1](#)
[73.353.4028.0](#) [F118010](#) [F119300-B](#) [F132210](#) [F132210-B](#) [F166900](#) [F180100](#) [F258300](#) [F258300-B](#) [F294300-B](#) [F339100](#) [F339700](#) [F358300-](#)
[B](#) [F374110](#) [F407400](#) [F412210](#) [F427600](#) [F444110](#) [F487000](#) [F495100-B](#) [F500900-B](#) [F509500B-B](#) [770444-1](#) [776880-1](#) [827153-1](#) [881735-1](#)
[8N1515-32-24P](#) [9-1326727-8](#) [9-1326729-8](#) [925467-1](#) [925474-1](#) [928905-1](#) [936398-2](#) [964562-1](#) [964562-4](#) [964731-2](#) [965051-1](#) [968782-1](#)
[GT17SA-8DS-HU](#) [GT17VS-10DP-5.2CF](#)