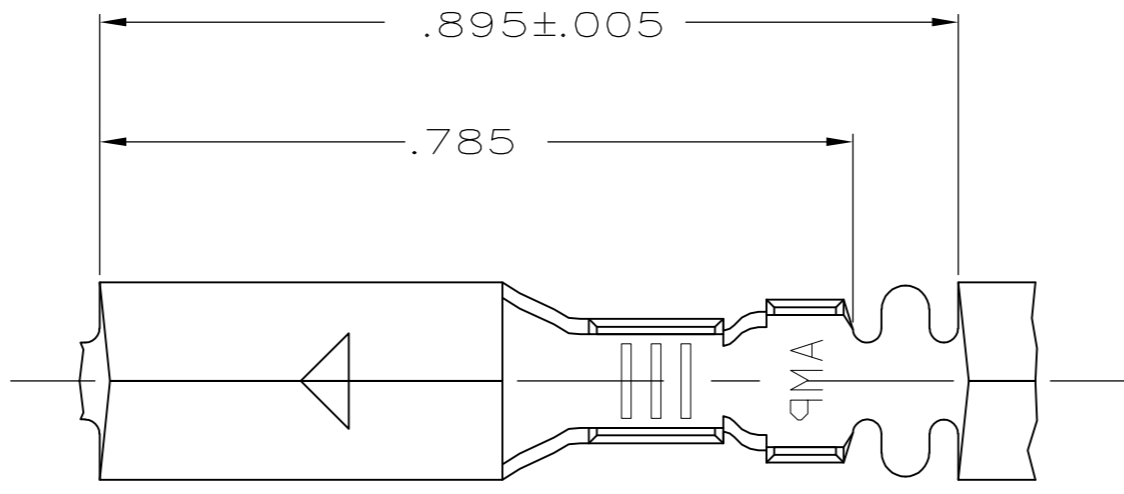
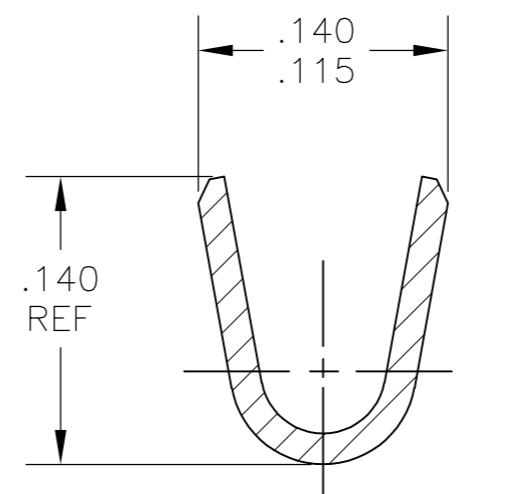
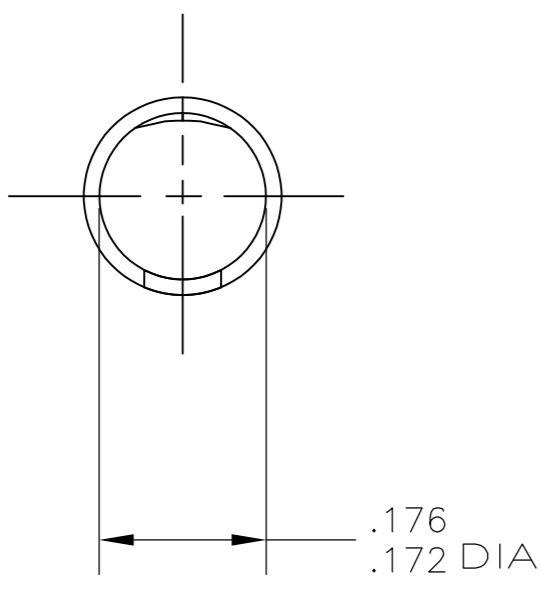
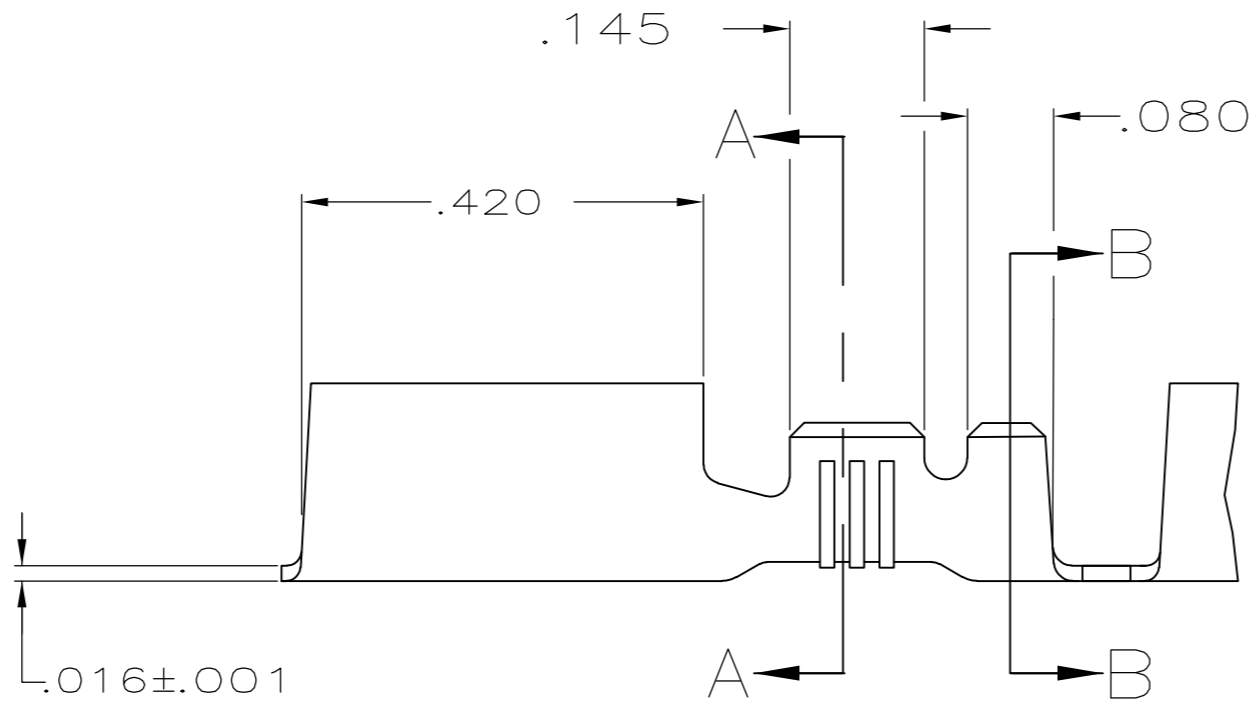


THIS DRAWING IS UNPUBLISHED. RELEASED FOR PUBLICATION  
 © COPYRIGHT - By - ALL RIGHTS RESERVED.

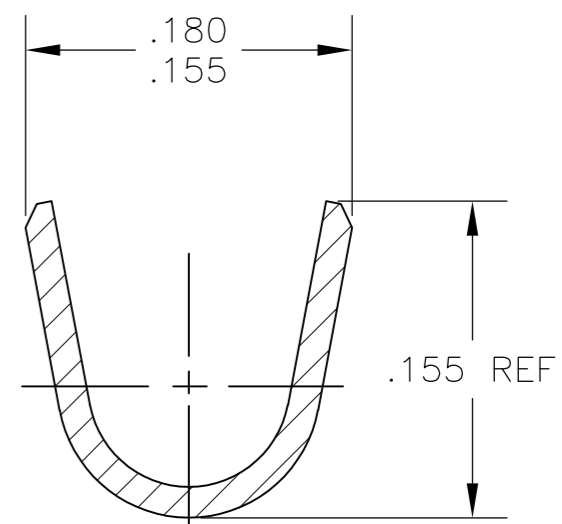
LOC	DIST	REVISIONS			
P	LTR	DESCRIPTION	DATE	DWN	APVD
AF	50	S2	REVISED PER ECO-11-004917	11MAR11	RK HMR



- 1 CONTINUOUS STRIP ON REELS
- △2 TIN PL .000080 MIN PER MIL-T-10727
- △3 .000080 MIN TIN PLATE PER MIL-T-10727 OVER .000050 MIN NICKEL UNDERPLATE PER QQ-N-290.
- △4 .000030 MIN GOLD PLATE OVER .000050 MIN NICKEL UNDERPLATE PER QQ-N-290.
- △5 .000200 MIN SILVER OVER .000050 MIN NICKEL UNDERPLATE PER QQ-N-290
- 6 WIRE SIZE IS #18-#14 AWG
- 7 INSULATION RANGE IS .090-.125 DIA
- △8 PREPRODUCTION - FASR REQ
- △9 PRELIMINARY - NOT FOR PRODUCTION
- △10 OBSOLETE PARTS: OBSOLETE CIS STREAMLINING PER D.RENAUD/D.SINISI



SECTION A-A  
SCALE 10:1



SECTION B-B  
SCALE 10:1

△10 OBSOLETE	△5	△9	60798-8
	△4	△8	60798-7
	△3		60798-6
	△2		60798-4
	-		60798-2
	FINISH		PART NO.

TYPE	WIDTH	STRIP LENGTH ±.015	TYPE	WIDTH	±.002 HEIGHT	WIRE
F OR O	.140	.210	F	.100	.077	14
					.067	16
					.061	18
INSUL BARREL CRIMP			WIRE BARREL CRIMP			

THIS DRAWING IS A CONTROLLED DOCUMENT.

DWN P FORTNEY	12/13/88	<b>STE</b> TE Connectivity
CHK MS FEHER	6/14/89	
APVD D DECKER	6/14/89	
PRODUCT SPEC		
MATERIAL #4 HARD BRASS	FINISH SEE TABLE	NAME RECEPTACLE, SHUR PLUG, .180 DIA
DIMENSIONS: INCHES	TOLERANCES UNLESS OTHERWISE SPECIFIED:	SIZE A2
0 PLC ± -	1 PLC ± -	CAGE CODE 00779
2 PLC ± -	3 PLC ± .015	DRAWING NO C=60798
4 PLC ± -	ANGLES ± -	RESTRICTED TO -
		SCALE 5:1
		SHEET 1 of 1
		REV S2

## X-ON Electronics

Largest Supplier of Electrical and Electronic Components

*Click to view similar products for [Terminals](#) category:*

*Click to view products by [TE Connectivity](#) manufacturer:*

Other Similar products are found below :

[HT-13-10](#) [71M-250-32-NB](#) [01-2065-1-0216](#) [00581P0075](#) [M10-10RX](#) [M10BCK](#) [60205-1](#) [604200-1](#) [60598-1-CUT-TAPE](#) [60617-1-C](#) [60873-1](#) [M14-516R/SK](#) [M14-6RSX](#) [M18-10FLX](#) [M18-8FBX](#) [M18-8R/LX](#) [M18BCK](#) [61314-6-C](#) [61-S](#) [61-SN-A](#) [62-NBM-A](#) [63-S](#) [640179-1](#) [640917-2-CUT-TAPE](#) [6501550002](#) [66107-2-C](#) [66107-4-C](#) [696683-1](#) [696834-1](#) [696861-1](#) [696931-1](#) [696999-1](#) [M8-516RK](#) [M86700006](#) [MA250DMFMX-A](#) [701-2007](#) [701-2307](#) [701-7761-03](#) [70F-110-32-PB](#) [718-N-A](#) [71M-187-20-NBL](#) [71M-250-32-NBL](#) [72F-187-20-NBL](#) [72M-250-32-NBL](#) [7310](#) [73F-250-32](#) [73F-250-32-NBL](#) [73F-250-32-NL](#) [F14-10C](#) [F-1M](#)