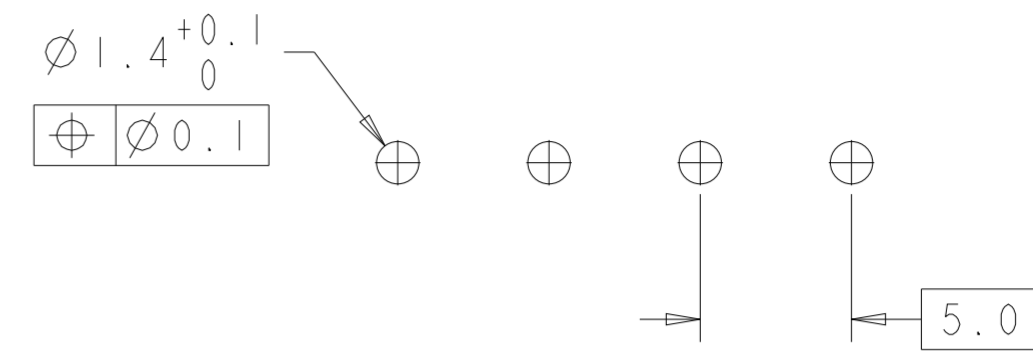
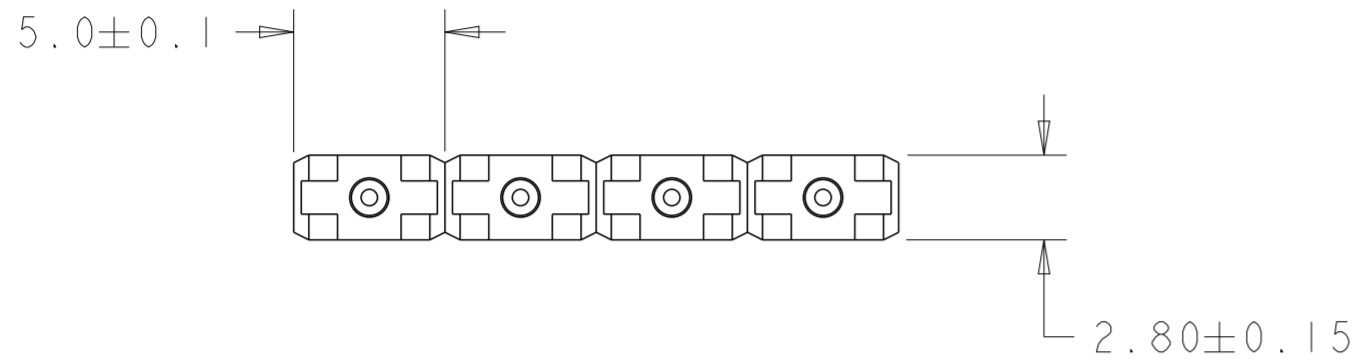
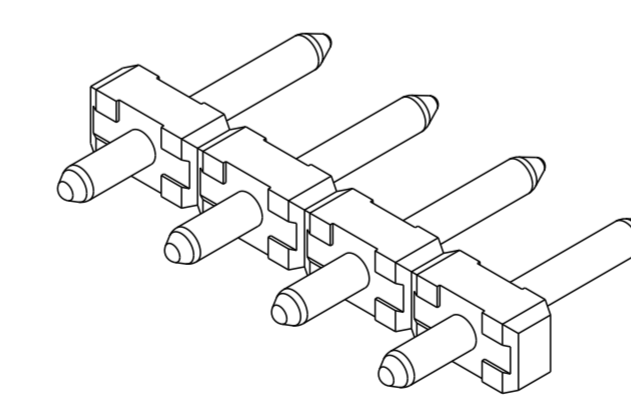
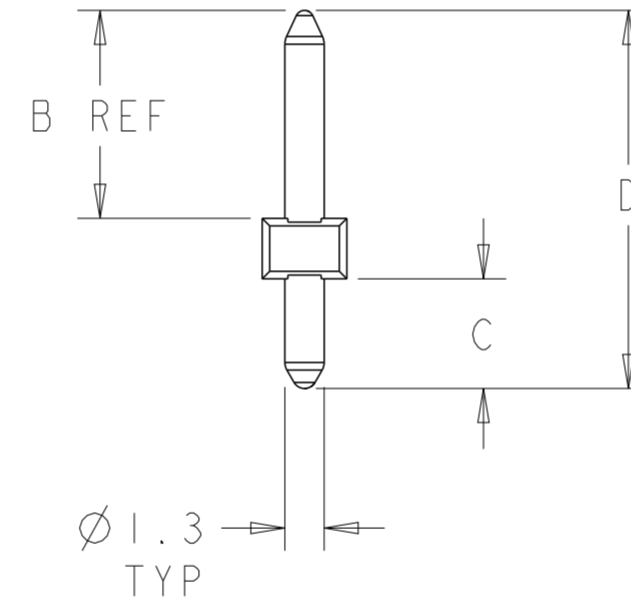
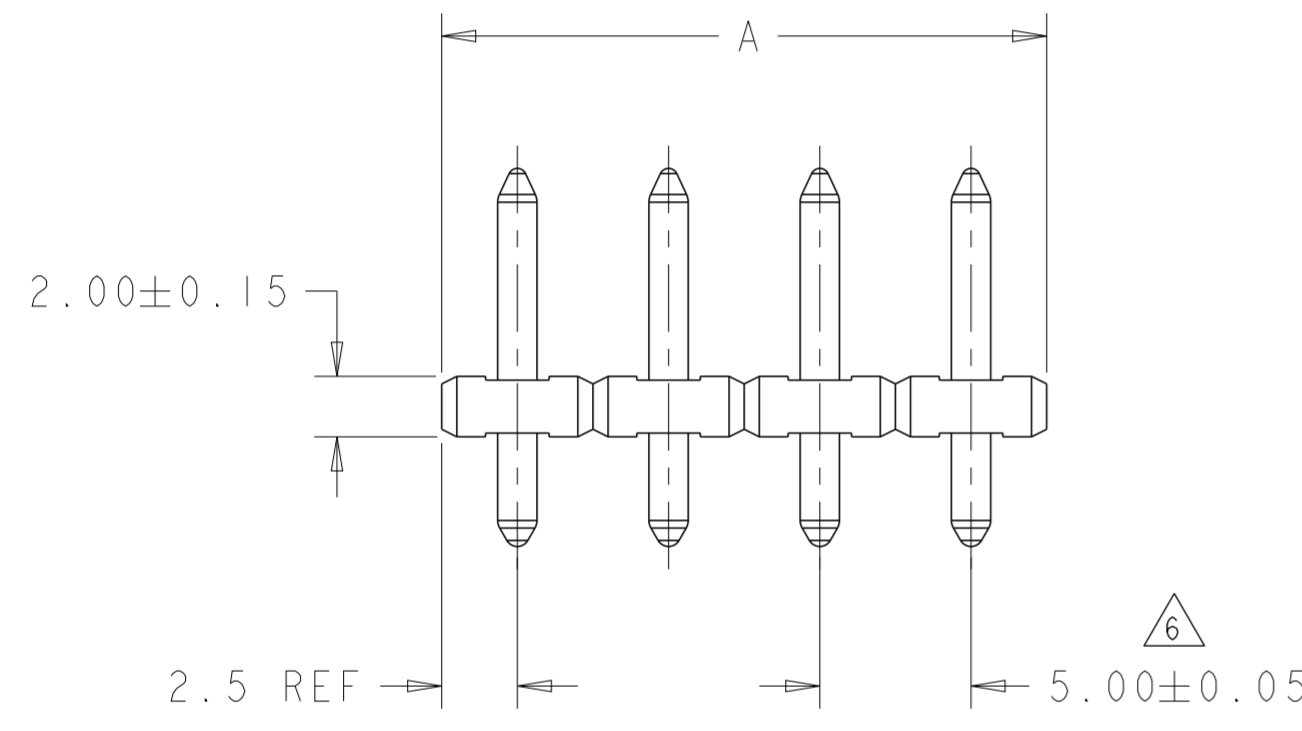


THIS DRAWING IS UNPUBLISHED. RELEASED FOR PUBLICATION 20  
 © COPYRIGHT 20 BY - ALL RIGHTS RESERVED.

LOC	DIST	REVISIONS					
FT	0	P	LTR	DESCRIPTION	DATE	DWN	APVD
			H5	HOUSING MATERIAL DETAIL CORRECTED	05DEC2014	PS	JK



RECOMMENDED PC BOARD LAYOUT



282832-4 AS SHOWN

PRELIMINARY	TIN	20.5	4.5	14	30	6	4-282832-0
PRELIMINARY	TIN	20.5	3.5	15	20	4	3-282832-9
PRELIMINARY	TIN	20.5	3.5	15	15	3	3-282832-8
		16.5	3.5	11	20	4	3-282832-7
		20.5	4.5	14	15	3	3-282832-6
	TIN	21.1		15.6	20	4	3-282832-5
					15	3	3-282832-4
					15	3	3-282832-3
					10	2	3-282832-2
	GOLD				15	3	2-282832-7
					125	25	2-282832-6
					120	24	2-282832-5
					115	23	2-282832-4
					110	22	2-282832-3
					105	21	2-282832-2
					100	20	2-282832-1
					95	19	2-282832-0
					90	18	1-282832-9
					85	17	1-282832-8
					80	16	1-282832-7
					75	15	1-282832-6
					70	14	1-282832-5
					65	13	1-282832-4
	TIN	16.5	3.5	11	40	8	1-282832-3
					60	12	1-282832-2
					55	11	1-282832-1
					50	10	1-282832-0
					45	9	282832-9
					40	8	282832-8
					35	7	282832-7
					30	6	282832-6
					25	5	282832-5
					20	4	282832-4
					15	3	282832-3
					10	2	282832-2
	TERMINAL PLATING	D	C	B	A	NO OF POSN	PART NUMBER

- 1 MATERIALS AND FINISH:  
 HOUSING: PA 4T, UL 94-V0, COLOR GREEN  
 TERMINAL: BRASS, PLATING: SEE TABLE.
- 2. SUITABLE FOR 1,6-2,4mm PC BOARD THICKNESS.
- 3. END-TO-END STACKABLE WITHOUT LOSS OF CENTERLINE SPACING.
- 4. RECOGNIZED UNDER THE COMPONENT PROGRAM OF UNDERWRITERS LABORATORIES INC. FILE N° E60677.
- 5. IMQ CERTIFICATE WITH SURVEILLANCE IN CONFORMITY WITH IEC 998-1/998-2-1.
- 6 NOT CUMULATIVE TOLERANCE.

THIS DRAWING IS A CONTROLLED DOCUMENT.

DIMENSIONS: mm	TOLERANCES UNLESS OTHERWISE SPECIFIED:	DWN E. ZANOLINI 14AUG2001	 TE Connectivity
		CHK D. BIEVENOUR 14AUG2001	
		APVD D. BIEVENOUR 14AUG2001	
		PRODUCT SPEC 108-20166	
MATERIAL		APPLICATION SPEC 114-20079	NAME
		WEIGHT -	TERMINAL BLOCK PIN HEADER UNSHROUDED 5.0 mm PITCH
		Customer Drawing	SIZE A2 CAGE CODE 00779 DRAWING NO C-282832 RESTRICTED TO -
			SCALE 4:1 SHEET 1 OF 1 REV H5

## X-ON Electronics

Largest Supplier of Electrical and Electronic Components

*Click to view similar products for [Pluggable Terminal Blocks](#) category:*

*Click to view products by [TE Connectivity](#) manufacturer:*

Other Similar products are found below :

[57.404.7553](#) [57.504.0053.7](#) [57.510.0053](#) [57.910.6153](#) [01.112.1453](#) [CTB932VE/6](#) [MC 1.5/ 6-ST-3.5 GY AU](#) [ET02015000J0G](#) [734-104](#) [734-302](#) [734-304](#) [8-141-P](#) [FKCT 2.5/ 3-ST KMGY](#) [860505](#) [860508](#) [860516](#) [860810](#) [861908](#) [GBPACX-12](#) [93.731.4953.0](#) [PV05-5,08-K](#) [PVP02-5,00](#) [PVP04-3,50](#) [PVS02-5,00](#) [1-1986160-3](#) [H-10](#) [1546228-5](#) [ELFH09150](#) [ELFH16150](#) [ELFP03110](#) [ELFT06250](#) [ELFT07250](#) [ELVF09400](#) [ELVP03100](#) [ELXH03100](#) [ELXH071G0E](#) [ELXP041G0](#) [ELXT046G0](#) [1700101](#) [1700410](#) [1700425](#) [1703176](#) [1705229](#) [1710175](#) [1714537](#) [1717806](#) [1719600](#) [1729386](#) [1734692](#) [1734795](#)