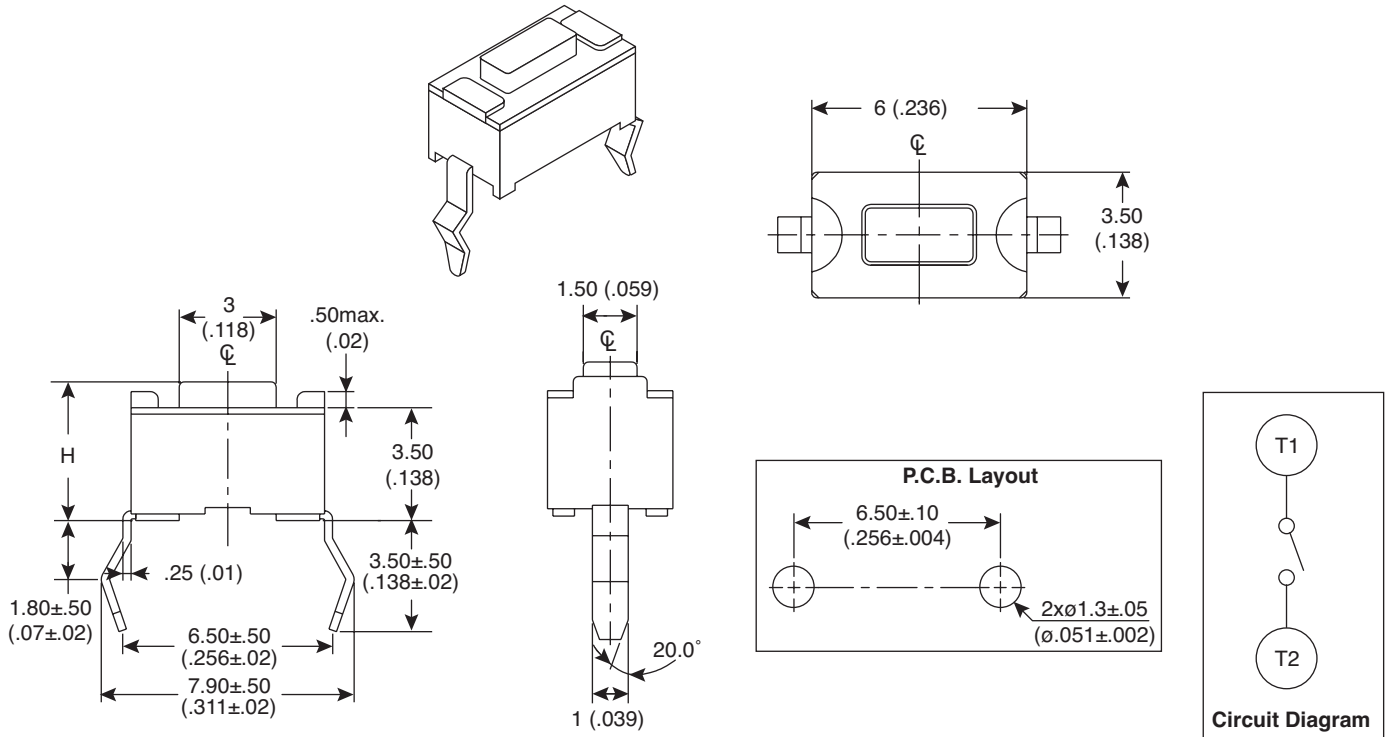


**DIMENSIONS: mm (in.)**



**Mechanical Specifications:**

- Stroke: 0.25 +0.20 / -0.1 mm
- Operating Temperature: -25°C to +70°C
- Storage Temperature: -30°C to +80°C
- Type: SPST

**Electrical Specifications:**

- Electrical Life: 50,000 cycles for 160gf, 320gf  
30,000 cycles for 260gf, 520gf
- Rating: 50mA/12VDC
- Contact Resistance: 100mΩ max.
- Insulation Resistance: 100MΩ min. at 500VDC
- Dielectric Strength: 250VAC/ minute

**Materials:**

- Cover: Stainless steel
- Base: Nylon or PPA high-temp. thermoplastic, brown
- Stem: Nylon high-temp. thermoplastic  
Color: brown (160gf), red (260gf), salmon (320gf), yellow (520gf)
- Contact Disc: Stainless with silver cladding
- Terminal: Brass with silver cladding

**Note:**

- RoHS compliant and process compatible with 260° solder.
- Not Washable

| Mouser Stock No.   | Height (H) | Color for Operating Force |             |
|--------------------|------------|---------------------------|-------------|
| 101-TS4311T5202-EV | 5.0 (.197) | Y                         | Yellow 520g |
| 101-TS4311T3202-EV | 5.0 (.197) | S                         | Salmon 320g |
| 101-TS4311T2602-EV | 5.0 (.197) | R                         | Red 260g    |
| 101-TS4311T1602-EV | 5.0 (.197) | N                         | Brown 160g  |
| 101-TS4311T5201-EV | 4.3 (.169) | Y                         | Yellow 520g |
| 101-TS4311T3201-EV | 4.3 (.169) | S                         | Salmon 320g |
| 101-TS4311T2601-EV | 4.3 (.169) | R                         | Red 260g    |
| 101-TS4311T1601-EV | 4.3 (.169) | N                         | Brown 160g  |

**Tactile Switches**

101-TS4311T5202-EV, 101-TS4311T3202-EV, 101-TS4311T2602-EV  
 101-TS4311T2601-EV, 101-TS4311T5201-EV, 101-TS4311T3201-EV  
 101-TS4311T1601-EV, 101-TS4311T1602-EV



# X-ON Electronics

Authorized Distributor

*Click to view similar products for [Tactile Switches](#) category:*

[B3F-1060](#) [TLE1105BF250Q](#) [101-TS4322T3201-EV](#) [5GTH9658222](#) [SKQYPCE010](#)  
[320.01E11WHT](#) [5ETH965](#) [SF320SH5X5H](#) [M22-KC01SMC10](#) [TL6215VF200GGT](#)