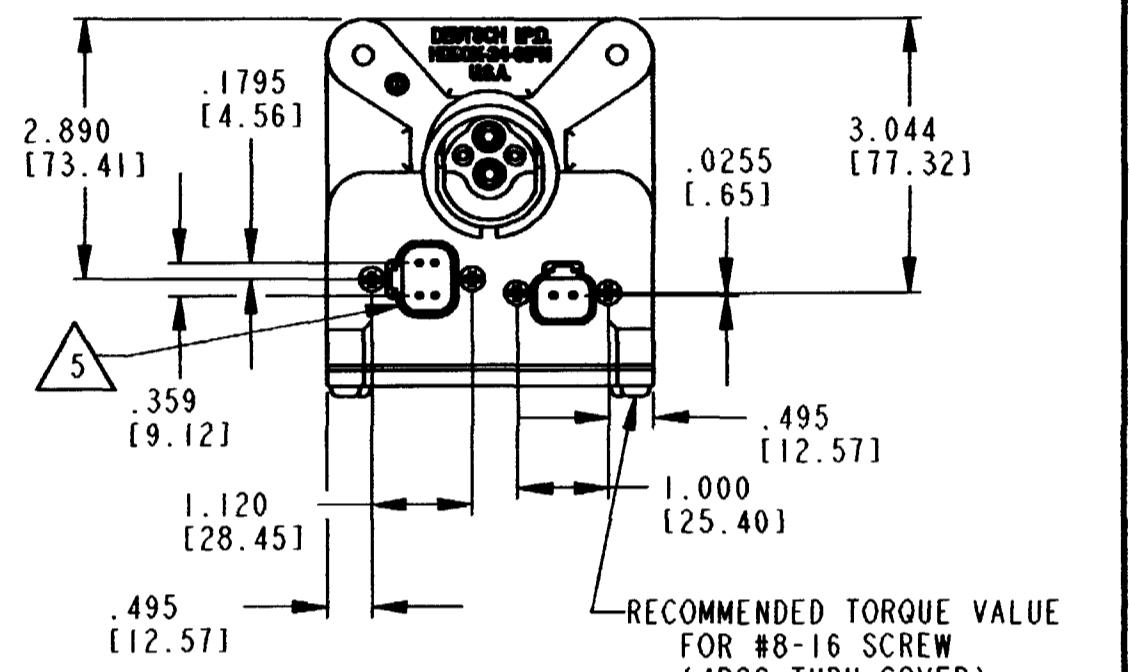
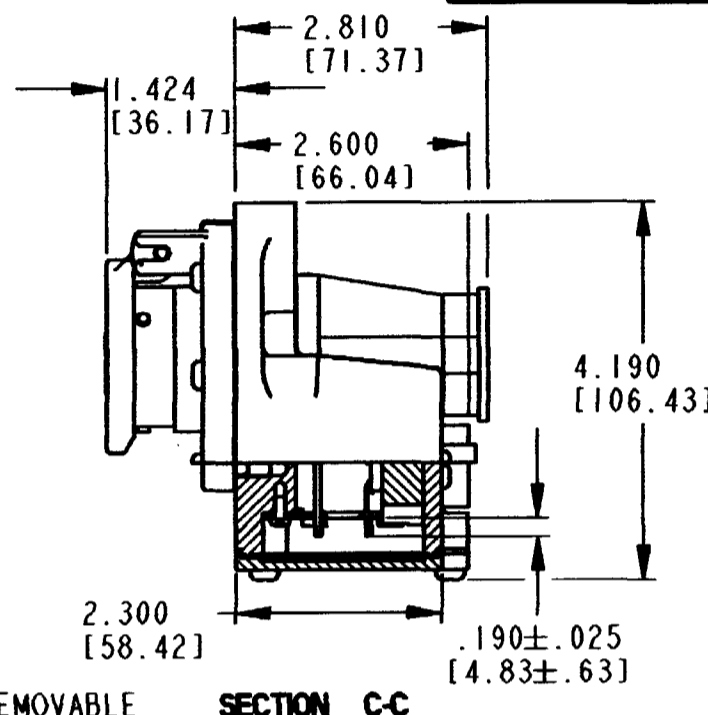
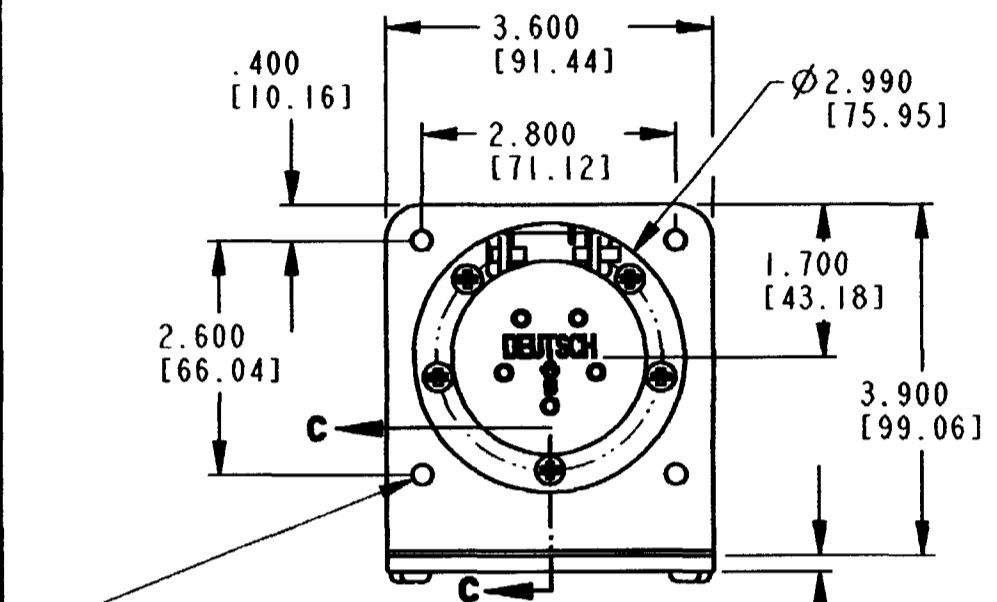
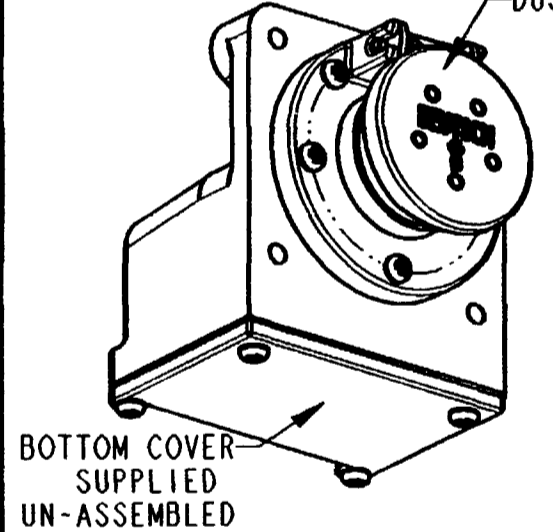


REV  
F HDBOX-24-91PN

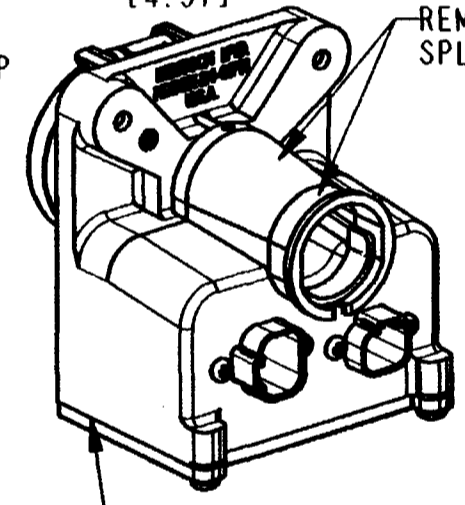
REVISIONS			
SYM	DESCRIPTION	DATE	APPROVED
C	REVISED PER E.O. P16452	4/18/00	C. WOODRUFF
D	REVISED PER E.O. P17957	11/22/02	R.D.R.
E	REVISED PER E.O. P18414	12/16/03	R.D.R.
F	REVISED PER E.O. P19594	7-30-07	RDR



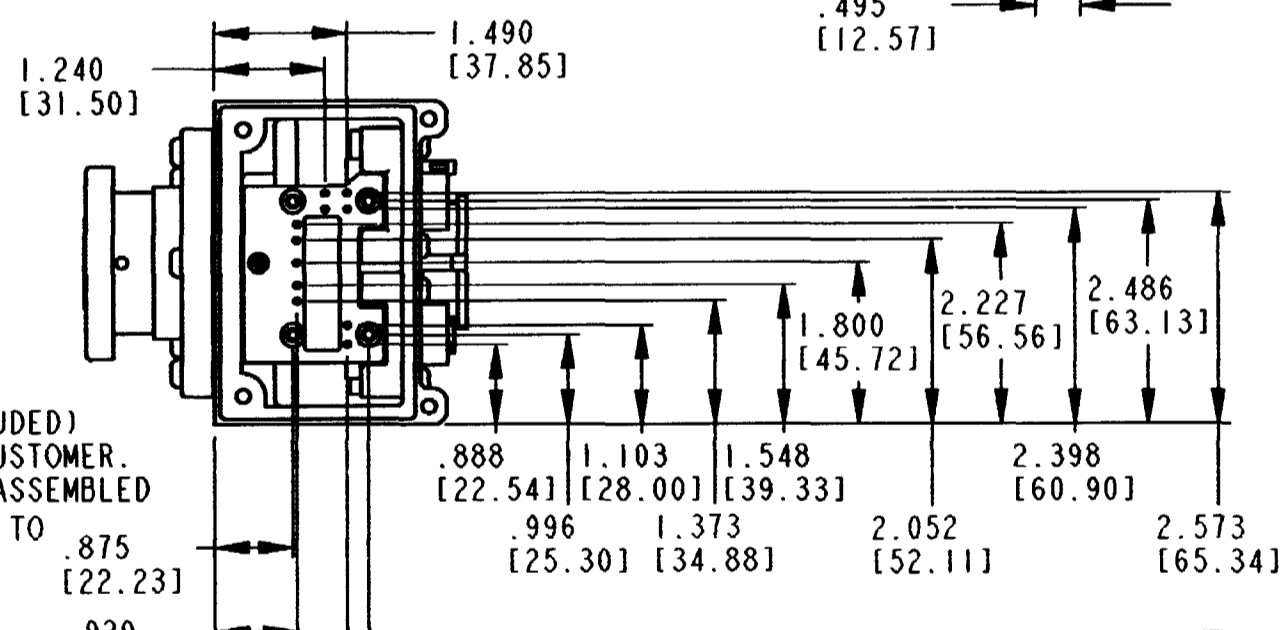
Ø.224 [5.68] THRU. Ø.213 [5.40]  
BLIND HOLE .600 [15.24] DEEP  
SUITABLE FOR M6 x 1.0  
SELF THREADED SCREW.



DUST CAP



REMOVABLE  
SPLASH GUARD



RECOMMENDED TORQUE VALUE  
FOR #8-16 SCREW  
(4PCS THRU COVER)  
IS 38-44 IN/LBS.  
BOTTOM COVER AND SCREWS ARE  
SHIPPED UN-ASSEMBLED

BOTTOM COVER  
SUPPLIED  
UN-ASSEMBLED

- 6. USE REMOVAL TOOL 0411-353-0805 WHEN REQUIRED TO REMOVE CONTACT FROM CAVITY NO.1
  - 5. CONTACT PLATING: ENGAGEMENT END GOLD PLATE  
P.C.B. END TIN PLATE
  - 4. MATING CONNECTORS: HDB36-24-91SN-059,  
DT06-2S\*, DT06-4S\*
  - 3. CONSULT FACTORY FOR MATERIAL AND ELECTRICAL SPECIFICATION.
  - 2. TOLERANCES: LOCATION OF CONTACTS = ±.003 [.08]  
LOCATION OF HOLES = ±.005 [.13]  
OTHERS = ±.015 [.38]
- NOTES:  
1. DIMENSIONS ARE IN INCHES [MILLIMETERS]

SIGNATURE & DATE	
DR	J. APOSTOL 03 JAN 00
CHK	<i>[Signature]</i> 7/30/07
PE	<i>[Signature]</i>
APPD	<i>[Signature]</i> 7-27-07
SCALE	1:2 WT

MOUNTING BOX FOR  
HD34-24-91PN RECPT. AND  
DT13-2P AND DT13-4P  
RECEPTACLES

ENVELOPE

CP	MATL. CODE
<b>The Deutsch Company</b> DEUTSCH I.P.D. 3850 INDUSTRIAL AVE. HEMET, CALIF. 92545	
<b>B HDBOX-24-91PN</b>	
DWG SIZE	CODE 11139 SHEET 1 OF 1

## X-ON Electronics

Largest Supplier of Electrical and Electronic Components

*Click to view similar products for [Automotive Connectors](#) category:*

*Click to view products by [TE Connectivity](#) manufacturer:*

Other Similar products are found below :

[003-018-000](#) [600858](#) [60403001](#) [60993906-B](#) [60993913-B](#) [629515004020001](#) [M902-2131](#) [M902-2161](#) [M902-2344](#) [72.330.1035.1](#)  
[73.353.4028.0](#) [F118010](#) [F119300-B](#) [F132210](#) [F132210-B](#) [F166900](#) [F180100](#) [F258300](#) [F258300-B](#) [F294300-B](#) [F339100](#) [F339700](#) [F358300-](#)  
[B](#) [F374110](#) [F407400](#) [F412210](#) [F427600](#) [F444110](#) [F487000](#) [F495100-B](#) [F500900-B](#) [F509500B-B](#) [770444-1](#) [776880-1](#) [827153-1](#) [881735-1](#)  
[8N1515-32-24P](#) [9-1326727-8](#) [9-1326729-8](#) [925467-1](#) [925474-1](#) [928905-1](#) [936398-2](#) [964562-1](#) [964562-4](#) [964731-2](#) [965051-1](#) [968782-1](#)  
[GT17SA-8DS-HU](#) [GT17VS-10DP-5.2CF](#)