

$\phi$  175mm

# San Ace C175



## General Specifications

- Material ..... Motor case: Aluminum,  
Impeller: Plastics (Flammability: UL94V-0)
- Expected Life ..... Refer to specifications (L10:Survival rate: 90% at 60°C ,  
rated voltage, and continuously run in a free air state)
- Lead Wire ..... ⊕red ⊖black (Sensor) yellow (Control) brown
- Storage Temperature ..... -30°C to +70°C (Non-condensing)

$\phi$  175mm × 69mm (Mass : 750g) **9TG type**

## Specifications

When inlet nozzle [Option (Model : 109-1073)] is mounted. The following nos. **have PWM controls and pulse sensors.**

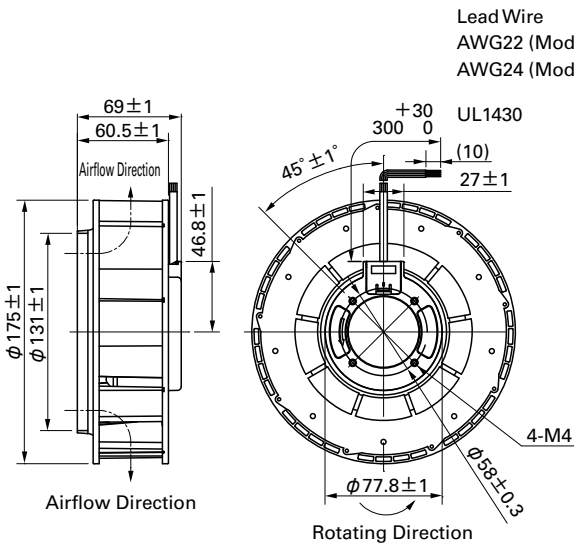
Model No.	Rated Voltage [V]	Operating Voltage Range [V]	PWM duty cycle <sup>*)</sup> [%]	Rated Current [A]	Rated Input [W]	Rated Speed [min <sup>-1</sup> ]	Max. Airflow [m <sup>3</sup> /min] [CFM]	Max. Static Pressure [Pa] [inchH <sub>2</sub> O]	SPL [dB(A)]	Operating Temperature [°C]	Expected Life [h]
9TG24P0G01	24	20.4 to 27.6	100	3.9	93.6	4,700	14.0 494.7	885 3.55	73	-20 to +60	40,000/60°C
9TG24P0S01				2.35	56.40	3,900	11.6 409.8	609 2.45	69	-20 to +70	
9TG48P0G01	48	36 to 55.2		1.95	93.6	4,700	14.0 494.7	885 3.55	73		

Note 1 : Fan does not rotate when PWM duty cycle is 0% .  
Note 2 : Max input is 130W at rated voltage.

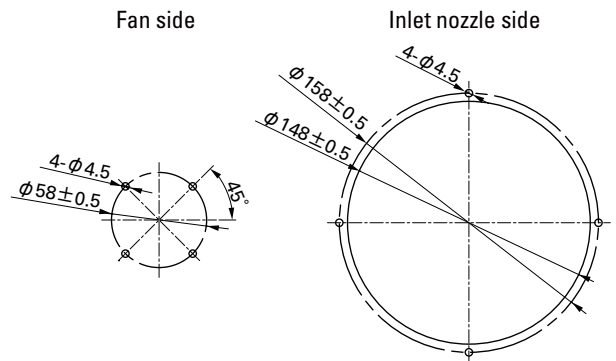
\*)PWM Frequency : 25kHz

Models without sensors or with pulse sensors (no PWM function) are available as options. Please refer to the index (p. 480).

## Dimensions (unit: mm)



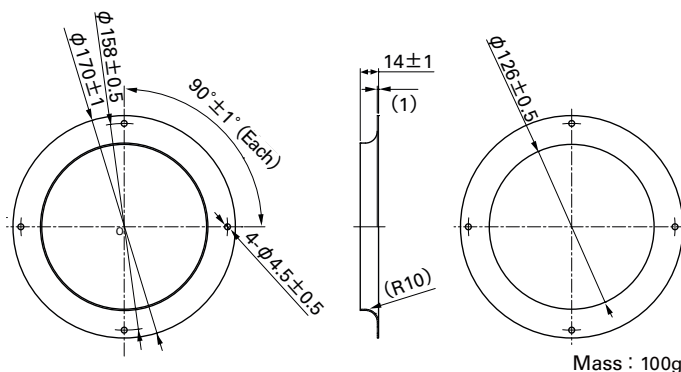
## Reference Dimensions of Mounting Holes and Vent Opening (unit: mm)



## Options (unit: mm)

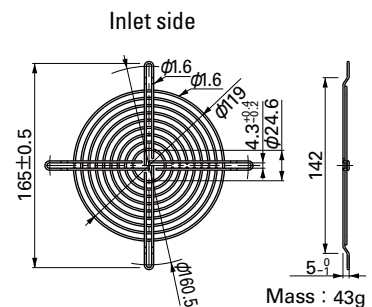
### Inlet Nozzle

Model : 109-1073 Material : Steel sheet Surface treatment : Electro nickel plating (silver) Color : (silver)  
: 109-1073H : Steel sheet : Cation electropainting (black)



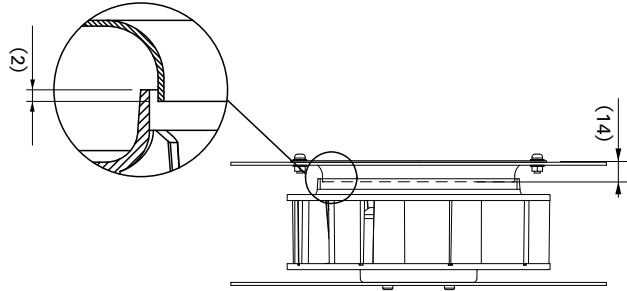
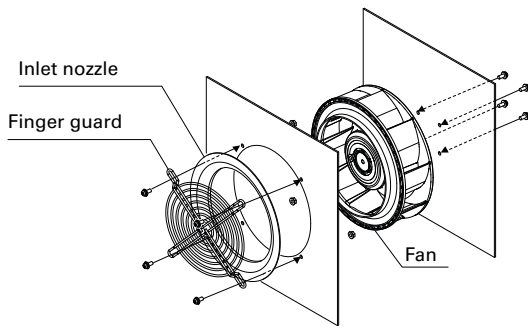
### Finger Guards

Model : 109-722 Surface treatment : Nickel-chrome plating (silver) Color : (silver)



Inlet nozzle : Nozzle mounted in fan inlet side to adjust the flow of introduced air

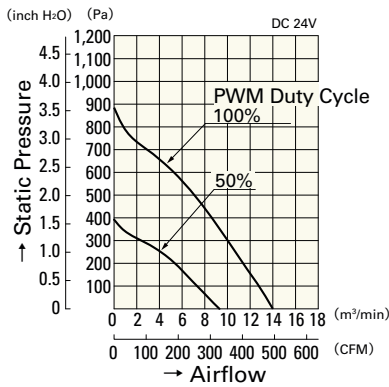
## Reference Diagram for Mounting



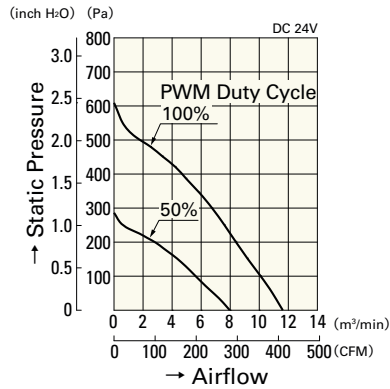
Screw length should be 4 mm or more but not exceeding 6 mm from fan edge face. To prevent screw from losing, use plain washer and spring washer.

## Airflow - Static Pressure Characteristics

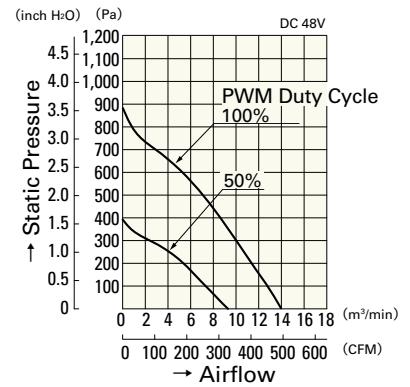
### PWM Duty Cycle



**9TG24P0G01**

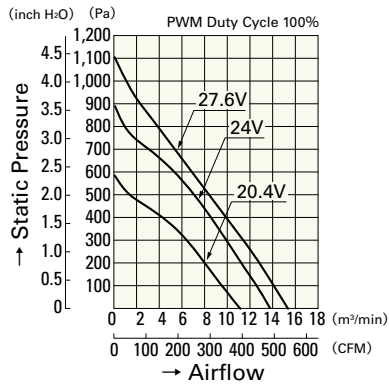


**9TG24P0S01**

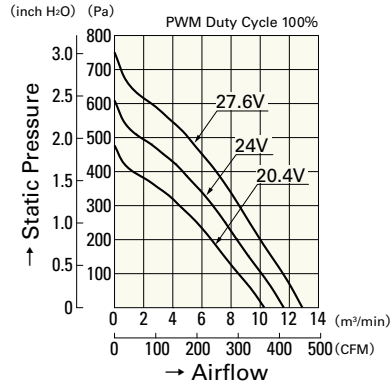


**9TG48P0G01**

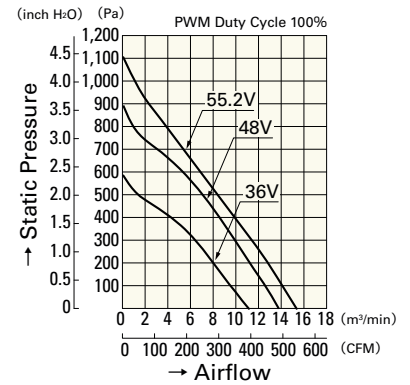
### Operating Voltage Range



**9TG24P0G01**

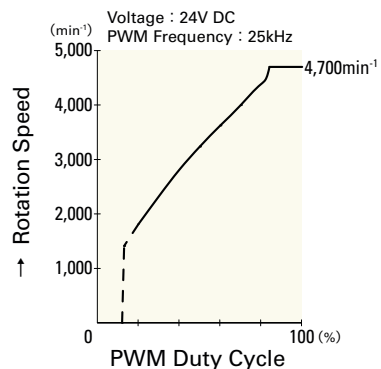


**9TG24P0S01**

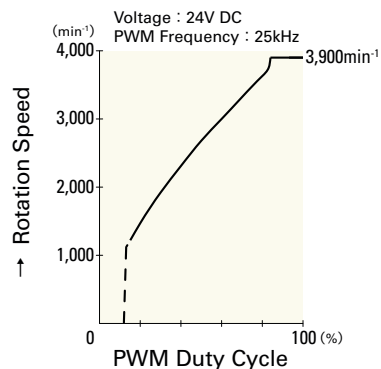


**9TG48P0G01**

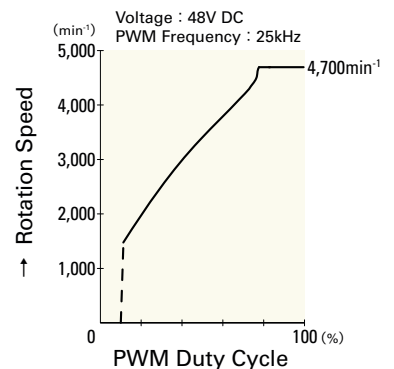
## PWM Duty - Speed Characteristics Example



**9TG24P0G01**



**9TG24P0S01**



**9TG48P0G01**

## X-ON Electronics

Largest Supplier of Electrical and Electronic Components

*Click to view similar products for [Blowers](#) category:*

*Click to view products by [Sanyo Denki](#) manufacturer:*

Other Similar products are found below :

[G2E120-CR21-13](#) [R2D160-AC02-13](#) [R2D220-AA24-13](#) [RLF35-812N2P-103](#) [KFB1724VHT-AF00](#) [D4E133-AA01-51](#) [D4E133-DH61-D1](#)  
[D4E180-BA04-18](#) [Z4.802.1680.0](#) [R3G280-AK54-01](#) [G3G120-BB13-02](#) [1398425-1](#) [R2D225-AV02-14](#) [D2E146-HT67-63](#) [BFB0524HH-R00](#)  
[R3G133-AE17-02](#) [D4E225-BC01-23](#) [R3G190-AB23-02](#) [RER101-36/14N/2HHA-184](#) [G3G160-AC70-01](#) [R3G250-AM70-01](#) [R2E160-AY47-](#)  
[10](#) [R2E180-AS77-40](#) [R87B-PF01](#) [R87F-A3A83H](#) [R87F-A4A15MP](#) [R87T-A6A07H](#) [MF50151VX-B00U-A99](#) [BFB0512HH-T50F](#)  
[BFB0712H](#) [109BD12HA2](#) [109BD24HD2](#) [109BF12MA2](#) [109BF12MC2](#) [109BF24HA2](#) [109BF24HC2](#) [109BD12MC2](#) [109BF12HA2](#)  
[109BF12HC2](#) [109BF24HD2](#) [R3G280-AF45-81](#) [BFB0724H-T500](#) [R87F-A3A15HP](#) [R87F-A4A93HP](#) [R87F-A3A93HP](#) [R2E140-AS77-05](#)  
[R2E180-AS77-22](#) [R2E180-CB28-01](#) [14539GA-12N-AA-00](#) [R87F-A1A85HP](#)