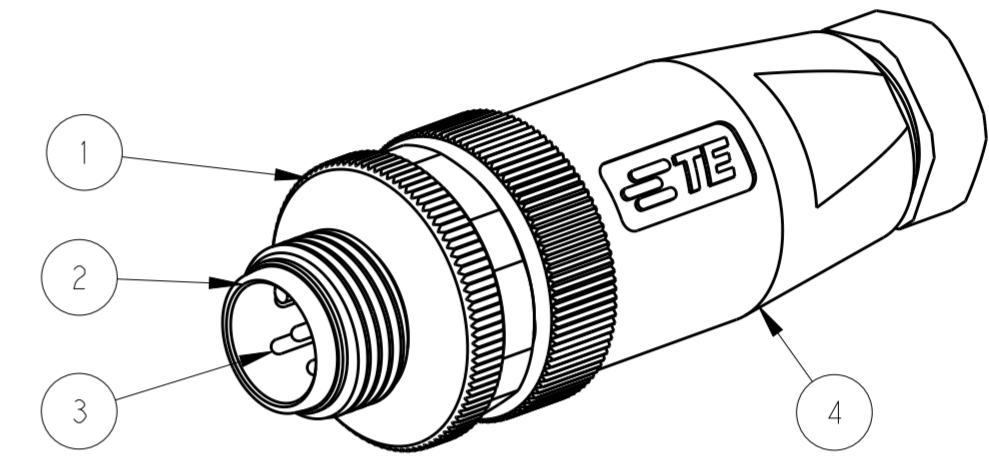
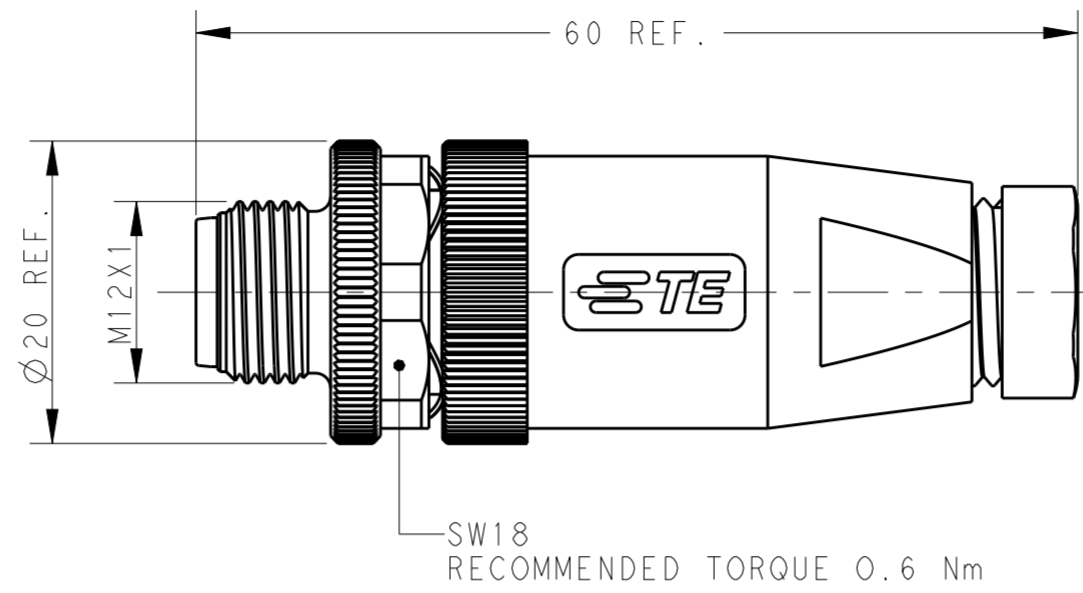
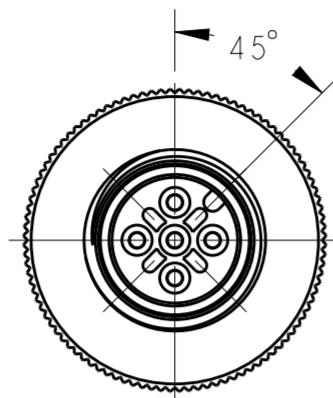


THIS DRAWING IS UNPUBLISHED. RELEASED FOR PUBLICATION 20
 © COPYRIGHT 20 BY - ALL RIGHTS RESERVED.

REVISIONS				
P	LTR	DESCRIPTION	DATE	APVD
A		INITIAL RELEASE	29DEC2015	NP XX
A1		ECR-15-012625	29DEC2015	NP XX
A2		ECR-15-018715 ADD 114 SEPC.	01JAN2016	NP XX

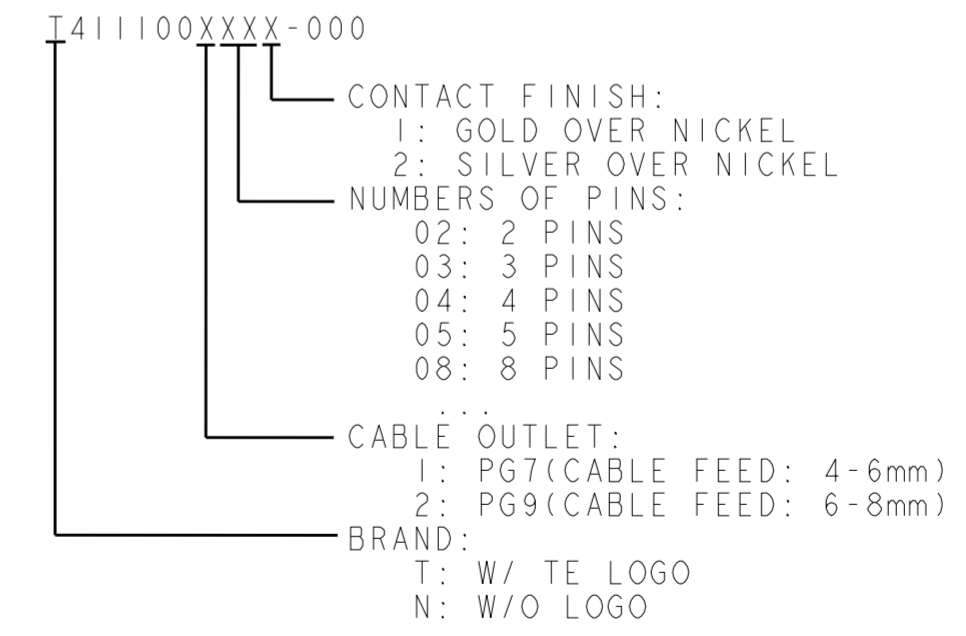


TECHNICAL DATA	T411100X02X-000	T411100X03X-000	T411100X04X-000	T411100X05X-000	T411100X08X-000
RATED VOLTAGE	250V	250V	250V	60V	30V
RATED CURRENT	4A	4A	4A	4A	2A
POLLUTION DEGREE	3	3	3	3	3
OVERVOLTAGE CATEGORY	II	II	II	II	II
MATERIAL GROUP	II	II	II	II	II
CONTACT RESISTANCE	≤8mΩ	≤8mΩ	≤8mΩ	≤8mΩ	≤8mΩ
INSULATION RESISTANCE	>100MΩ	>100MΩ	>100MΩ	>100MΩ	>100MΩ
DEGREE OF PROTECTION	IP67	IP67	IP67	IP67	IP67
OPERATION TEMPERATURE	-40~85°C	-40~85°C	-40~85°C	-40~85°C	-40~85°C

NOTE:
 1. MATERIAL:
 ITEM NO.1: NUT -BRASS
 ITEM NO.2: HOUSING -PA
 ITEM NO.3: CONTACT -BRASS
 ITEM NO.4: HOUSING BODY: -PBT+GF
 2. CONTACT FINISH:
 GOLD OVER NICKEL OR SILVER OVER NICKEL
 3. CABLE WIRES:
 18AWG/0.75mm² Max. FOR 2-5 PINS
 20AWG/0.50mm² Max. FOR 8 PINS
 4. ALLDIMENSIONS ARE FOR NOMINAL REFERENCE ONLY UNLESS OTHERWISE STATED
 5. PACKAGEING: IPIECE IN A BAG
 6. PN INFORMATION

PIN ARRANGEMENT A-CODE		
T411100X02X-000	T411100X03X-000	T411100X04X-000

T4111002081-000	RPC-M12A-MS-8CON-PG9-MU
T4111002082-000	RPC-M12A-MS-8CON-PG9-M
T4111001081-000	RPC-M12A-MS-8CON-PG7-MU
T4111001082-000	RPC-M12A-MS-8CON-PG7-M
T4111002051-000	RPC-M12A-MS-5CON-PG9-MU
T4111001051-000	RPC-M12A-MS-5CON-PG7-MU
T4111002052-000	RPC-M12A-MS-5CON-PG9-M
T4111001052-000	RPC-M12A-MS-5CON-PG7-M
T4111002041-000	RPC-M12A-MS-4CON-PG9-MU
T4111001041-000	RPC-M12A-MS-4CON-PG7-MU
T4111002042-000	RPC-M12A-MS-4CON-PG9-M
T4111001042-000	RPC-M12A-MS-4CON-PG7-M
T4111002031-000	RPC-M12A-MS-3CON-PG9-MU
T4111001031-000	RPC-M12A-MS-3CON-PG7-MU
T4111002032-000	RPC-M12A-MS-3CON-PG9-M
T4111001032-000	RPC-M12A-MS-3CON-PG7-M
T4111002021-000	RPC-M12A-MS-2CON-PG9-MU
T4111001021-000	RPC-M12A-MS-2CON-PG7-MU
T4111002022-000	RPC-M12A-MS-2CON-PG9-M
T4111001022-000	RPC-M12A-MS-2CON-PG7-M
TE PN	TYPE



THIS DRAWING IS A CONTROLLED DOCUMENT.		DWN HAO WANG 08OCT2015	TE Connectivity	
		CHK KOBBY ZHAO 08OCT2015		
		APVD XIANG XU 08OCT2015	NAME M12 MALE, A CODE, STRAIGHT UNSHIELDED CONNECTOR SCREW TERMINAL	
DIMENSIONS: mm		TOLERANCES UNLESS OTHERWISE SPECIFIED:	PRODUCT SPEC 108-106140	
		0 PLC ±0.2	APPLICATION SPEC 114-137144	
		1 PLC ±0.2	WEIGHT -	
		2 PLC ±0.2	SIZE A2	
		3 PLC ±	CAGE CODE -	
		4 PLC ±	DRAWING NO. C-T411100XXXX000	
		ANGLES ±	RESTRICTED TO -	
		FINISH -	SCALE 2:1 SHEET 1 OF 1 REV A2	
		-	Customer Drawing	

X-ON Electronics

Largest Supplier of Electrical and Electronic Components

Click to view similar products for [Circular Metric Connectors](#) category:

Click to view products by [TE Connectivity](#) manufacturer:

Other Similar products are found below :

[1424048](#) [1021212](#) [600X518037X](#) [6STD09SAM99B70X](#) [6STD15PCR99B70A](#) [8R4000A16M020](#) [1200910002](#) [1201150041](#) [1203580030](#)
[1200700064](#) [1200700263](#) [1200700416](#) [1200730102](#) [1200770002](#) [1-2823588-2](#) [130203-0054](#) [1300140026](#) [1300150099](#) [1-3637-600-5205](#)
[1545399](#) [1594331](#) [1600413](#) [1612606](#) [1612618](#) [1614660](#) [1A4000-348](#) [CA06EW24-10P-B-03](#) [21036836414](#) [2823064-1](#) [1610759](#) [A1642LK-](#)
[II-T](#) [1R3006A20M005](#) [41-01016](#) [41-40011](#) [41-40017](#) [42-00006](#) [42-01015](#) [4-22279-4](#) [4-22281-1](#) [4-22284-9](#) [43-00002](#) [43-00113](#) [43-00130](#)
[43-01028](#) [43-01034](#) [43-01088](#) [43-01090](#) [43-01203](#) [43-01209](#) [43-01335](#)