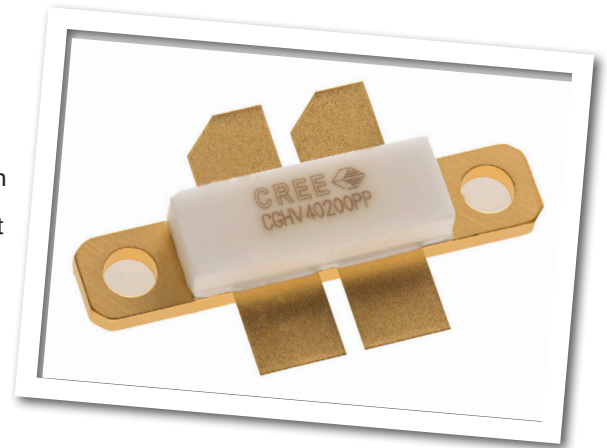


CGHV40200PP

200 W, 50 V, GaN HEMT

Cree's CGHV40200PP is an unmatched, gallium nitride (GaN) high electron mobility transistor (HEMT). The CGHV40200PP, operating from a 50 volt rail, offers a general purpose, broadband solution to a variety of RF and microwave applications. GaN HEMTs offer high efficiency, high gain and wide bandwidth capabilities making the CGHV40200PP ideal for linear and compressed amplifier circuits. The transistor is available in a 4-lead flange package.



Package Type: 440199
PN: CGHV40200PP

Typical Performance Over 1.7-1.9 GHz ($T_c = 25^\circ\text{C}$, CW)

Parameter	1.7 GHz	1.8 GHz	1.9 GHz	Units
Small Signal Gain	21.7	21.0	20.1	dB
Gain @ $P_{in} = 38$ dBm	16.5	16.1	15.4	dB
P_{OUT} @ $P_{IN} = 38$ dBm	270	250	218	W
Drain Efficiency @ $P_{IN} = 38$ dBm	64	67	65	%



FEATURES

- Up to 2.7 GHz Operation
- 21 dB Small Signal Gain at 1.8 GHz
- 250 W typical P_{SAT}
- 67 % Efficiency at P_{SAT}
- 50 V Operation

APPLICATIONS

- 2-Way Private Radio
- Broadband Amplifiers
- Cellular Infrastructure
- Test Instrumentation
- Class A, AB, Linear amplifiers suitable for OFDM, W-CDMA, EDGE, CDMA waveforms

Large Signal Models Available for ADS and MWO

Absolute Maximum Ratings (not simultaneous) at 25°C Case Temperature

Parameter	Symbol	Rating	Units	Conditions
Drain-Source Voltage	V_{DS}	125	Volts	25°C
Gate-to-Source Voltage	V_{GS}	-10, +2	Volts	25°C
Storage Temperature	T_{STG}	-65, +150	°C	
Operating Junction Temperature	T_J	225	°C	
Maximum Forward Gate Current ¹	I_{GMAX}	20.8	mA	25°C
Maximum Drain Current ¹	I_{DMAX}	8.7	A	25°C
Soldering Temperature ²	T_S	245	°C	
Screw Torque	τ	80	in-oz	
Thermal Resistance, Junction to Case ³	R_{JJC}	0.94	°C/W	85°C
Case Operating Temperature ^{3,4}	T_C	-40, +150	°C	

Note:

¹ Current limit for long term, reliable operation per side of the device

² Refer to the Application Note on soldering at www.cree.com/RF/Document-Library

³ CGHV40200PP at $P_{DISS} = 166$ W.

⁴ See also, the Power Dissipation De-rating Curve on Page .

Electrical Characteristics ($T_C = 25^\circ\text{C}$)

Characteristics	Symbol	Min.	Typ.	Max.	Units	Conditions
DC Characteristics¹						
Gate Threshold Voltage	$V_{GS(th)}$	-3.8	-3.0	-2.3	V_{DC}	$V_{DS} = 10$ V, $I_D = 20.8$ mA
Gate Quiescent Voltage	$V_{GS(Q)}$	-	-2.7	-	V_{DC}	$V_{DS} = 50$ V, $I_D = 2.0$ A
Saturated Drain Current ²	I_{DS}	15.6	18.7	-	A	$V_{DS} = 6.0$ V, $V_{GS} = 2.0$ V
Drain-Source Breakdown Voltage	V_{BR}	150	-	-	V_{DC}	$V_{GS} = -8$ V, $I_D = 20.8$ mA
RF Characteristics^{3,4} ($T_C = 25^\circ\text{C}$, $F_0 = 1.8$ GHz unless otherwise noted)						
Power Gain	P_G	-	16.1	-	dB	$V_{DD} = 50$ V, $I_{DQ} = 1.2$ A, $P_{IN} = 38$ dBm
Small Signal Gain	G_{SS}	-	19.8	-	dB	$V_{DD} = 50$ V, $I_{DQ} = 1.2$ A, $P_{IN} = 10$ dBm
Power Output	P_{OUT}	-	250	-	W	$V_{DD} = 50$ V, $I_{DQ} = 1.2$ A, $P_{IN} = 38$ dBm
Drain Efficiency ⁵	η	-	67	-	%	$V_{DD} = 50$ V, $I_{DQ} = 1.2$ A, $P_{IN} = 38$ dBm
Output Mismatch Stress	VSWR	-	-	3 : 1	Ψ	No damage at all phase angles, $V_{DD} = 28$ V, $I_{DQ} = 1.2$ A, $P_{OUT} = 200$ W CW
Dynamic Characteristics⁶						
Input Capacitance	C_{GS}	-	29.3	-	pF	$V_{DS} = 28$ V, $V_{gs} = -8$ V, $f = 1$ MHz
Output Capacitance	C_{DS}	-	7.3	-	pF	$V_{DS} = 28$ V, $V_{gs} = -8$ V, $f = 1$ MHz
Feedback Capacitance	C_{GD}	-	0.61	-	pF	$V_{DS} = 28$ V, $V_{gs} = -8$ V, $f = 1$ MHz

Notes:

¹ Measured on wafer prior to packaging per side of device.

² Scaled from PCM data.

³ Measured in CGHV40200PP-TB

⁴ I_{DQ} of 1.2 A is by biasing each device at 0.6 A.

⁵ Drain Efficiency = P_{OUT} / P_{DC}

⁶ Capacitance values are for each side of the device.

Typical Performance

Figure 1. - Gain and Return Losses vs Frequency
 measured in CGHV40200PP-TB
 $V_{DD} = 50\text{ V}$, $I_{DQ} = 1.2\text{ A}$, Freq = 1.5 - 2.0 GHz

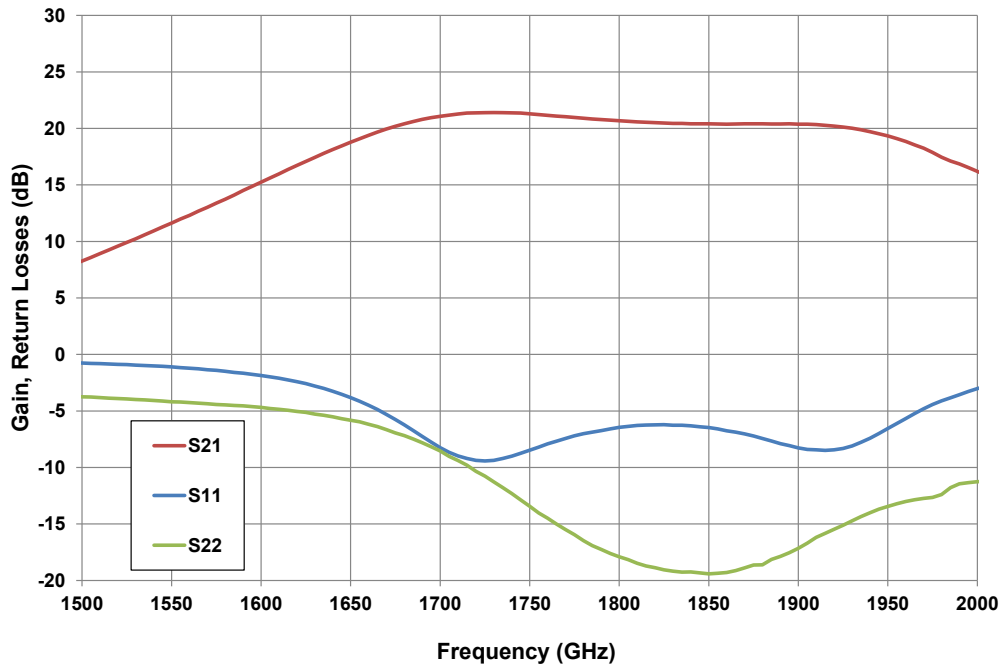
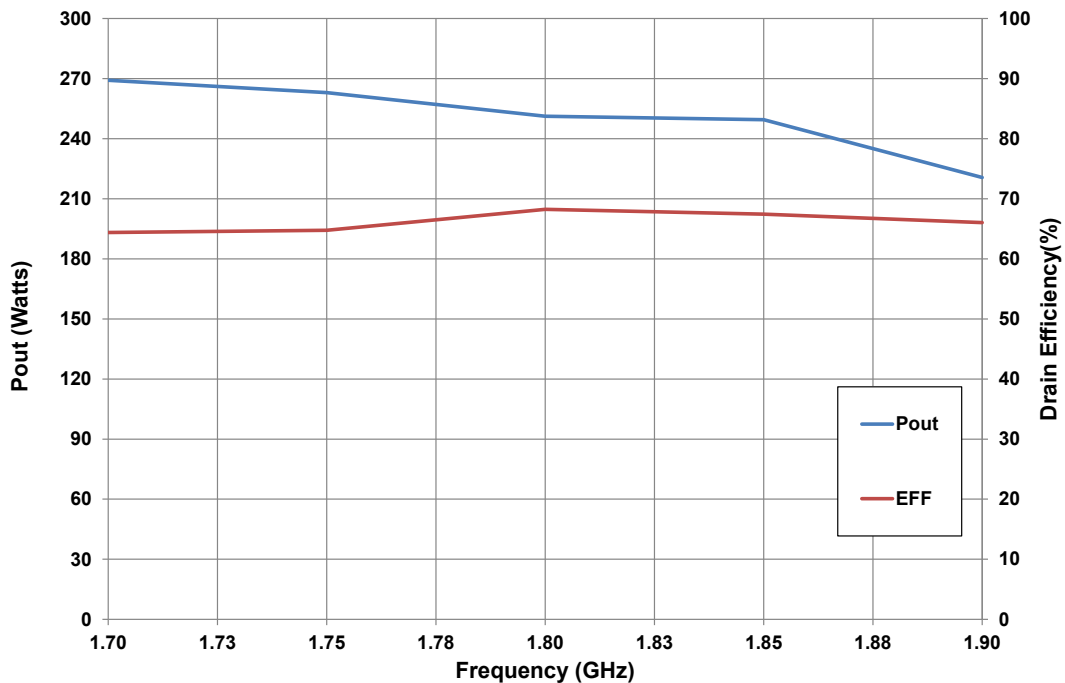


Figure 2. - Output Power and Drain Efficiency vs Frequency
 measured in CGHV40200PP-TB
 CW Operation, $V_{DD} = 50\text{ V}$, $I_{DQ} = 1.2\text{ A}$, Output Power @ $P_{IN} = 38\text{ dBm}$



Typical Performance

Figure 3. - Gain and Drain Efficiency vs Output Power measured in CGHV40200PP-TB
 CW Operation, $V_{DD} = 50\text{ V}$, $I_{DQ} = 1.2\text{ A}$

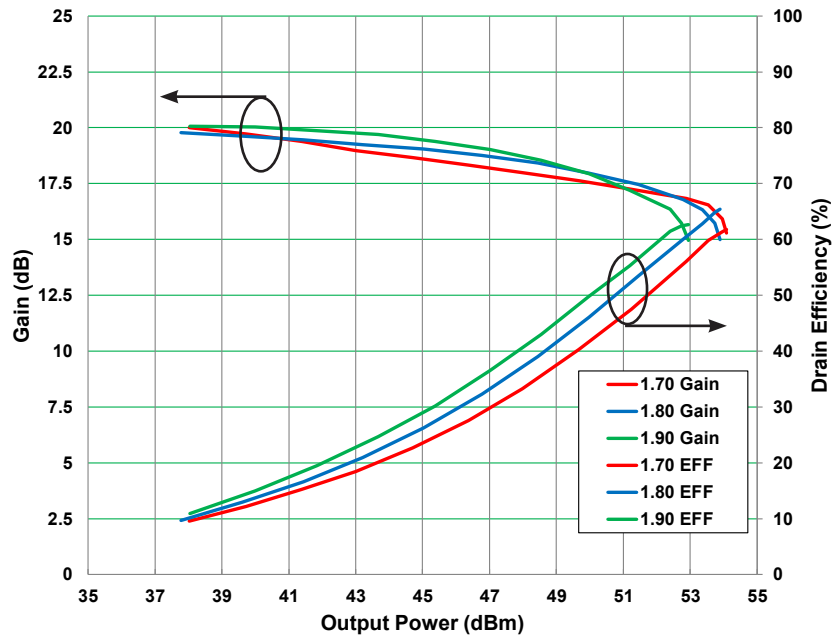
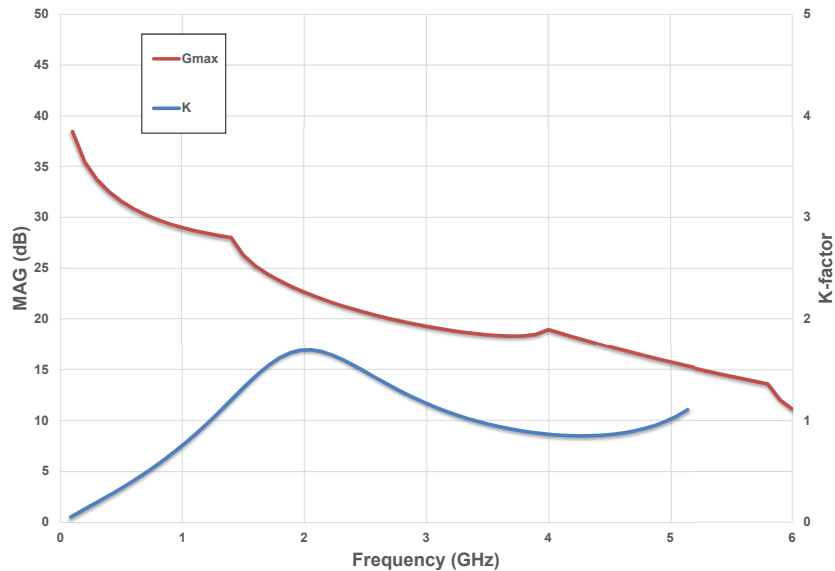


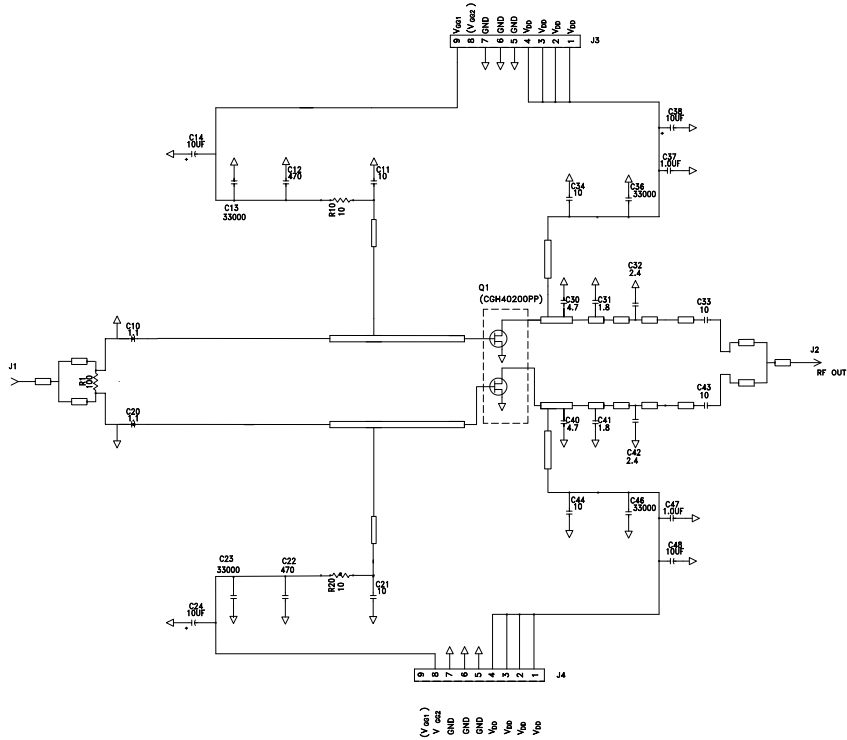
Figure 4. - Simulated Maximum Available Gain and K-factor of the CGHV40200PP
 $V_{DD} = 50\text{ V}$, $I_{DQ} = 1.2\text{ A}$



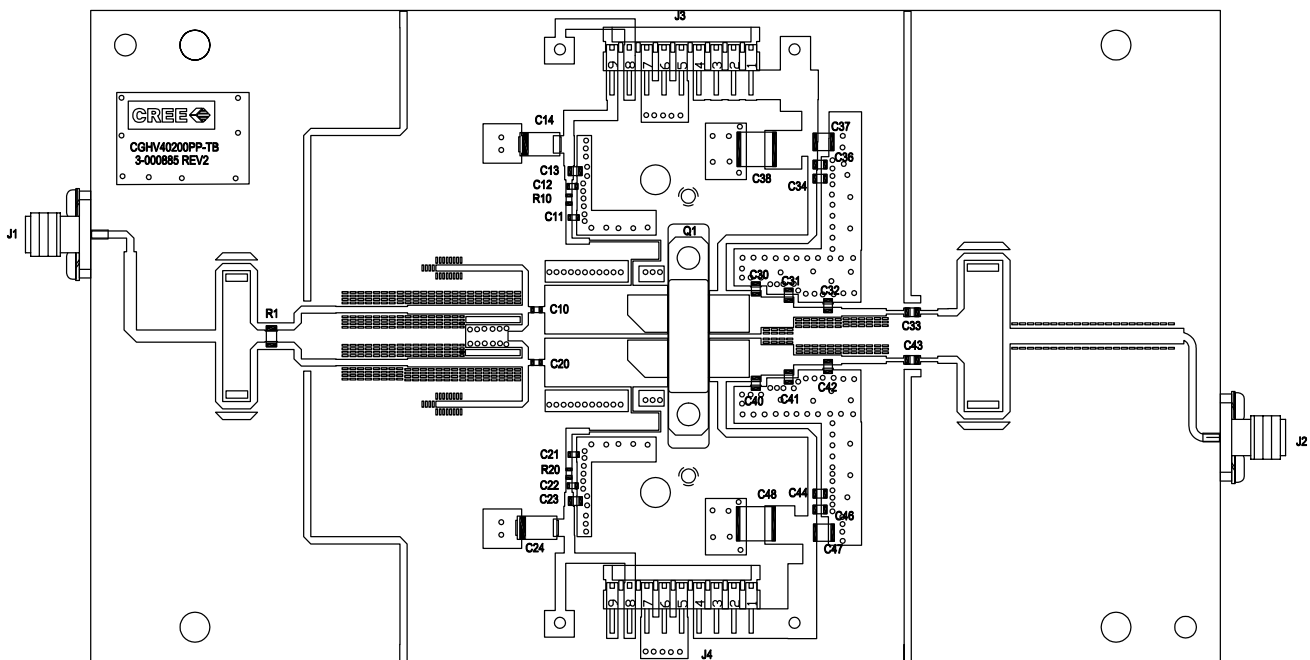
Electrostatic Discharge (ESD) Classifications

Parameter	Symbol	Class	Test Methodology
Human Body Model	HBM	1A > 250 V	JEDEC JESD22 A114-D
Charge Device Model	CDM	1 < 200 V	JEDEC JESD22 C101-C

CGHV40200PP-TB Demonstration Amplifier Circuit Schematic



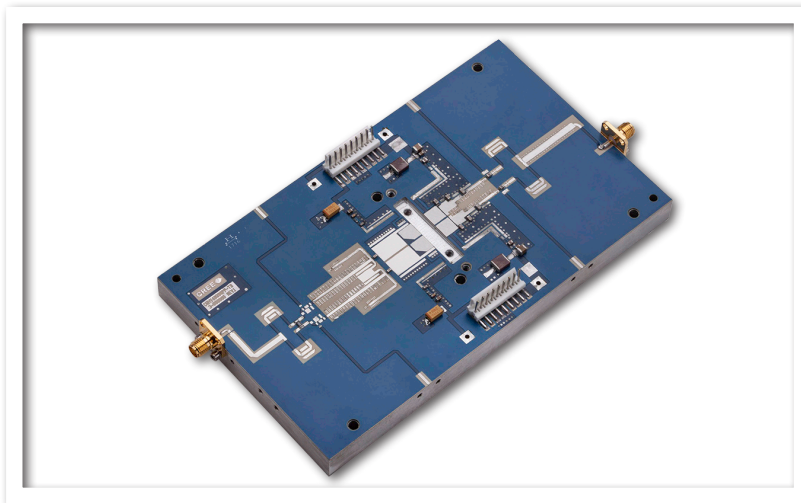
CGHV40200PP-TB Demonstration Amplifier Circuit Outline



CGHV40200PP-TB Demonstration Amplifier Circuit Bill of Materials

Designator	Description	Qty
R1	RES,1/8W,1206,1%,100 OHMS	1
R10,R20	RES, 1/16W, 0603, 1%, 10 Ohms	2
C10,C20	CAP, 1.1pF, +/-0.05 pF,0603, ATC600S	2
C11,C21	CAP, 10pF,+/-5%, 0603,ATC600S	2
C12,C22	CAP, 470PF, 5%, 100V,X7R 0603	2
C13,C23,C36,C46	CAP,33000PF, 0805,100V, X7R	4
C37,C47	CAP, 1.0UF, 100V, 10%, X7R, 1210	2
C38,C48	CAP, 33 UF, 20%, G CASE	2
C14,C24	CAP 10UF 16V TANTALUM, 2312	2
C30,C40	CAP, 4.7pF, +/-0.1pF, 250V, 0805,ATC600F	2
C31,C41	CAP, 1.8pF, +/-0.1pF, 250V, 0805,ATC600F	2
C32,C42	CAP, 2.4pF, +/-0.1pF, 250V, 0805,ATC600F	2
C33,C34,C43,C44	CAP, 10 PF +/- 5%,250V, 0805,ATC600F	4
-	PCB, Rogers HTC6035HTC , 0.020 THK, ER 3.6	1
J1,J2	CONN, SMA, PANEL MOUNT JACK, FLANGE, 4-HOLE, BLUNT POST	2
J3,J4	HEADER RT>PLZ .1CEN LK 9POS	2
Q1	CGHV40200PP	1

CGHV40200PP-TB Demonstration Amplifier Circuit



Typical Performance -CGHV40200PP- AMP1 at L-Band CW

Figure 5. - Small Signal Gain and Return Losses vs Frequency measured in the CGHV40200PP Broadband Amplifier Circuit
 $V_{DD} = 50\text{ V}$, $I_{DQ} = 1.2\text{ A}$

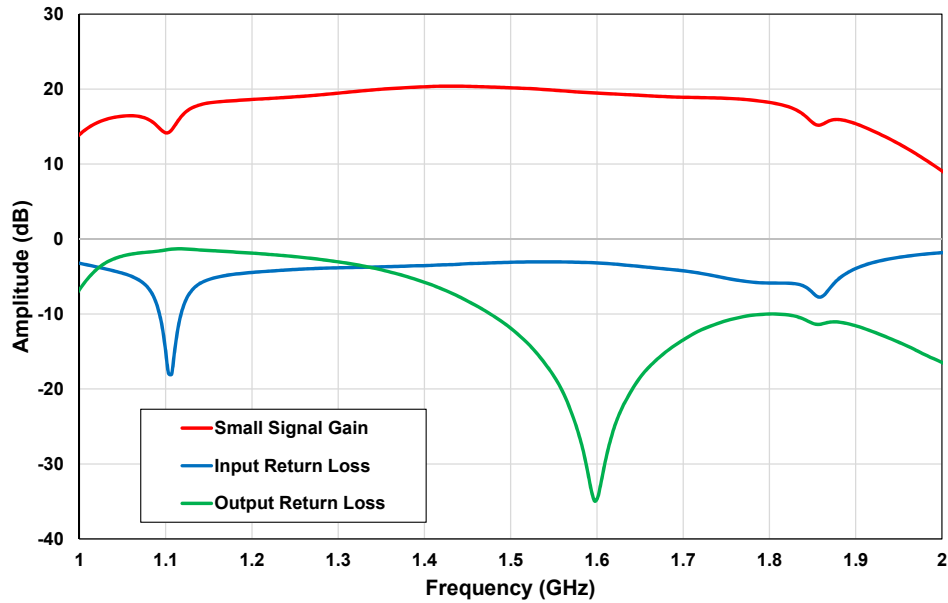
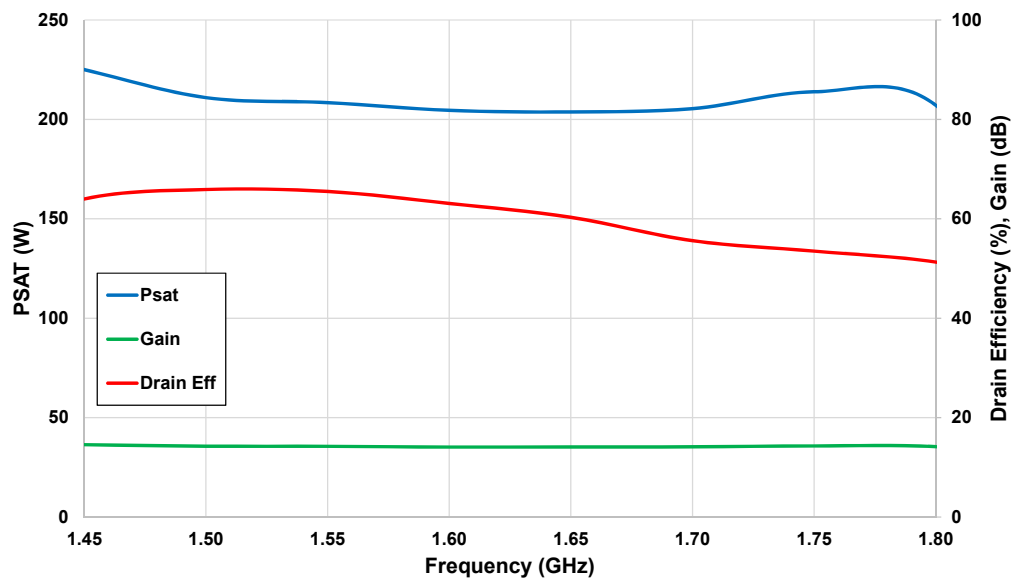
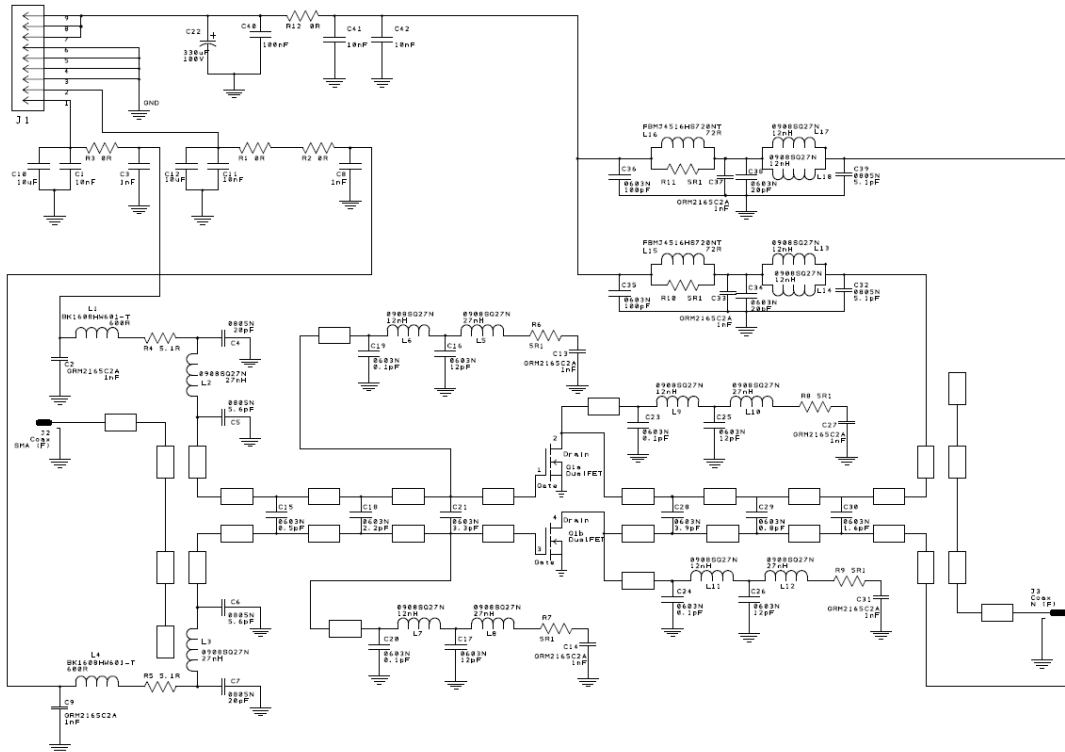


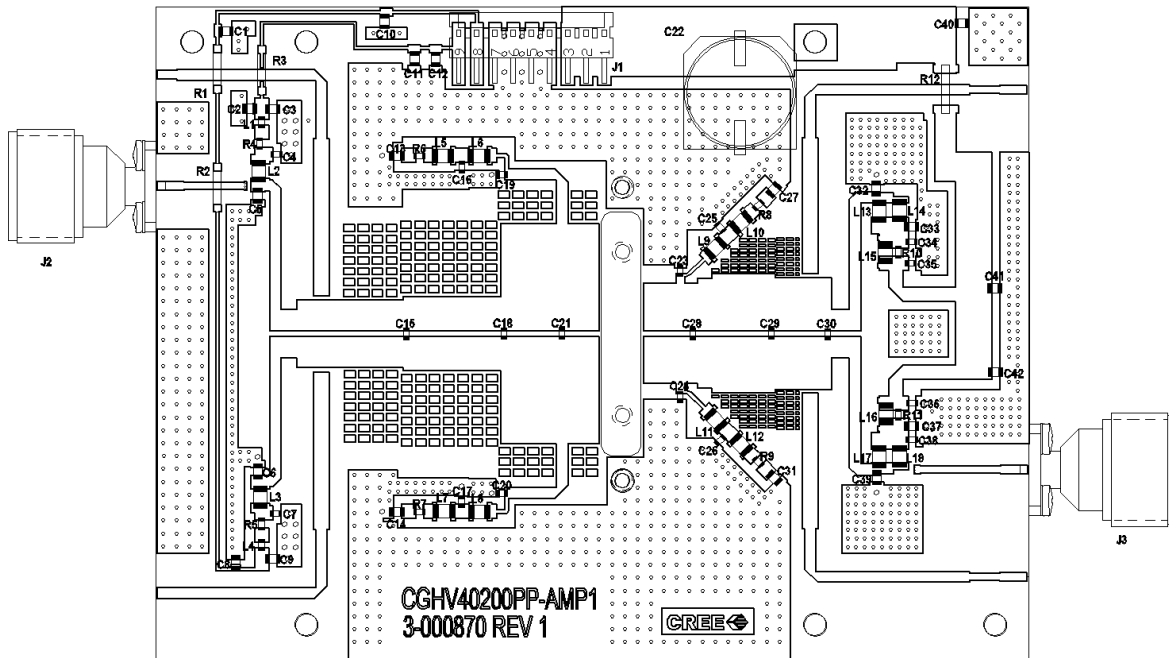
Figure 6. - Saturated Output Power Gain, and Drain Efficiency vs Frequency of the CGHV40200PP measured in the CGHV40200PP Broadband Amplifier Circuit
 $V_{DD} = 50\text{ V}$, $I_{DQ} = 500\text{ mA}$



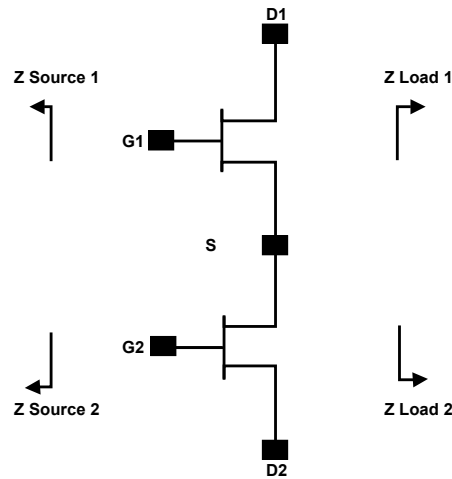
CGHV40200PP-AMP1 Demonstration Amplifier Circuit Schematic



CGHV40200PP-AMP1 Demonstration Amplifier Circuit Outline



Simulated Source and Load Impedances



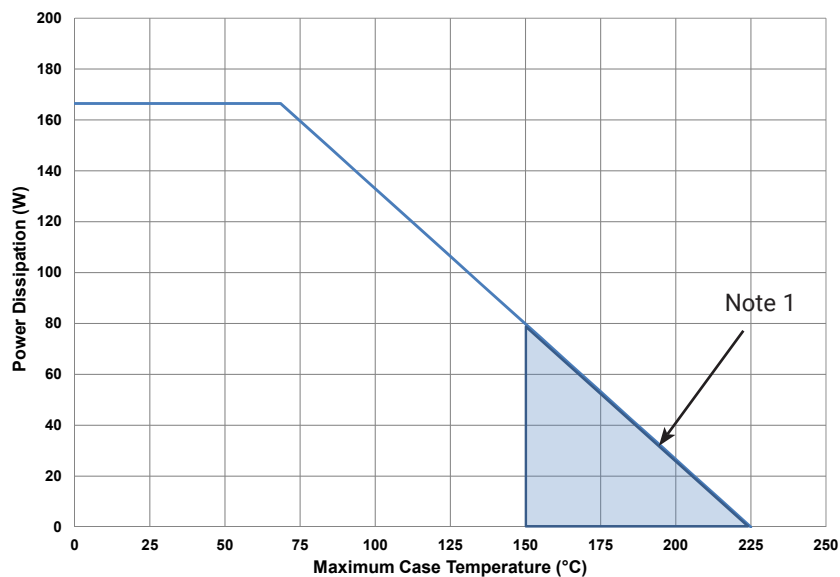
Frequency (MHz)	Z Source (1,2)	Z Load (1,2)
500	2.9 +j4.8	12.8 +j7.3
1000	0.8 +j1.5	9.1 +j5.1
1500	0.9 +j0.6	5.5 +j3.8
2000	1.1 -j2.2	4.4 +j2.0
2500	1.8 -j4.0	3.8 +j0.5

Note 1. $V_{DD} = 50\text{ V}$, $I_{DQ} = 2 \times 0.6\text{ A}$ in the 440199 package.

Note 2. Optimized for power gain, P_{SAT} and PAE.


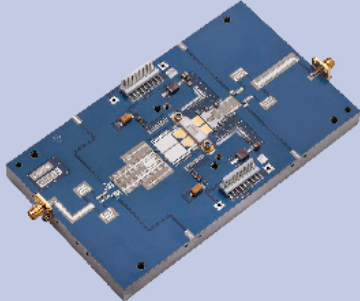
Note 3. When using this device at low frequency, series resistors should be used to maintain amplifier stability.

CGHV40200PP Power Dissipation De-rating Curve

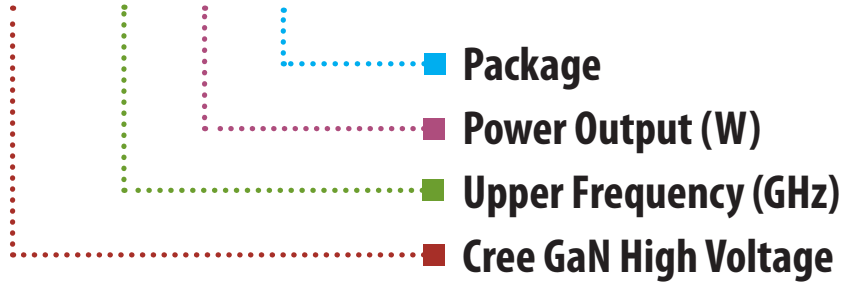


Note 1. Area exceeds Maximum Case Operating Temperature (See Page 2).

Product Ordering Information

Order Number	Description	Unit of Measure	Image
CGHV40200PP	GaN HEMT	Each	
CGHV40200PP-AMP1	Test board with GaN HEMT installed	Each	

CGHV40200PP



Parameter	Value	Units
Upper Frequency ¹	4.0	GHz
Power Output	200	W
Package	Push Pill	-

Table 1.

Note¹: Alpha characters used in frequency code indicate a value greater than 9.9 GHz. See Table 2 for value.

Character Code	Code Value
A	0
B	1
C	2
D	3
E	4
F	5
G	6
H	7
J	8
K	9
Examples:	1A = 10.0 GHz 2H = 27.0 GHz

Table 2.



Disclaimer

Specifications are subject to change without notice. Cree, Inc. believes the information contained within this data sheet to be accurate and reliable. However, no responsibility is assumed by Cree for any infringement of patents or other rights of third parties which may result from its use. No license is granted by implication or otherwise under any patent or patent rights of Cree. Cree makes no warranty, representation or guarantee regarding the suitability of its products for any particular purpose. "Typical" parameters are the average values expected by Cree in large quantities and are provided for information purposes only. These values can and do vary in different applications and actual performance can vary over time. All operating parameters should be validated by customer's technical experts for each application. Cree products are not designed, intended or authorized for use as components in applications intended for surgical implant into the body or to support or sustain life, in applications in which the failure of the Cree product could result in personal injury or death or in applications for planning, construction, maintenance or direct operation of a nuclear facility.

For more information, please contact:

Cree, Inc.
4600 Silicon Drive
Durham, North Carolina, USA 27703
www.cree.com/RF

Sarah Miller
Marketing
Cree, RF Components
1.919.407.5302

Ryan Baker
Marketing & Sales
Cree, RF Components
1.919.407.7816

Tom Dekker
Sales Director
Cree, RF Components
1.919.407.5639

X-ON Electronics

Largest Supplier of Electrical and Electronic Components

Click to view similar products for [RF JFET Transistors](#) category:

Click to view products by [Wolfspeed](#) manufacturer:

Other Similar products are found below :

[XF1001-SC-EV1](#) [CE3514M4](#) [CE3514M4-C2](#) [CE3520K3-C1](#) [CE3521M4](#) [CE3521M4-C2](#) [CE3512K2-C1](#) [NPT25100B](#) [CE3520K3](#)
[CGH55030F1](#) [CGH27030F](#) [QPD0020](#) [CGH25120F](#) [CMPA801B030F](#) [TGF2023-2-01](#) [TGF2023-2-02](#) [CGH40006P](#) [QPD1009](#) [MAGX-](#)
[011086](#) [QPD1014SR](#) [T2G6000528-Q3](#) [CG2H40025F](#) [CGHV40200PP](#) [CGHV14800F](#) [CGH27030P](#) [CGH09120F](#) [CG2H80015D-GP4](#)
[CG2H40045F](#) [T2G4003532-FL](#) [TGF2942](#) [T2G6003028-FS](#) [T2G6003028-FL](#) [T2G6000528-Q3 28V](#) [T2G4003532-FS](#) [T1G2028536-FL](#)
[QPD1015L](#) [QPD1015](#) [QPD1010](#) [QPD1008L](#) [QPD1008](#) [QPD1000](#) [JANTXV2N4858](#) [ATF-521P8-BLK](#) [J175D26Z](#) [AGX-1/2](#) [CE3512K2](#)
[2N3819](#) [CGH55030F2](#) [CGHV40180F](#) [CGHV27015S](#)