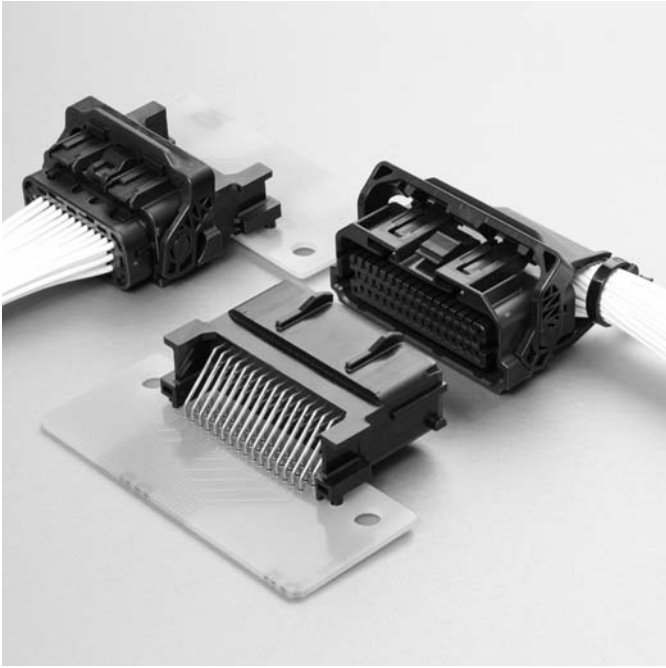


# ZRO CONNECTOR

## Board-to-wire/Sealed connector



This connector is an interface connector, 48 and 36 circuits sealed and lever type.

### Features

#### ●Improvement of Operability

The lever is adopted to decrease the connector mating force. The fixing part to PC board is snap fit configuration in consideration of the workability when assembling.

#### ●Sealed

Mat seal is adopted for improving the workability of wire seal part.

#### ●Durability

Heat resistant specification corresponding to 120°C.

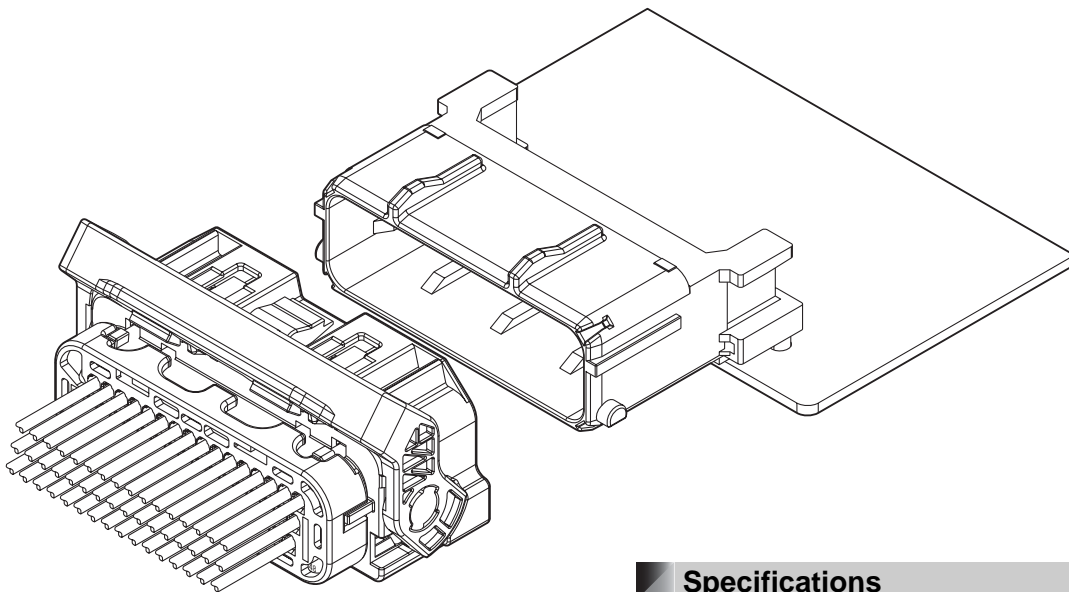
#### ●Reduced waste structure

Low cost and low resources are realized by abolishing use of the wire rod pin and the alignment board.

#### ●Variations

This connector is available in two kinds of keying codes. If the harness cover of an option is used, the harness can be taken out from the side.

Circuits: Lineup of 48 and 36 circuits.



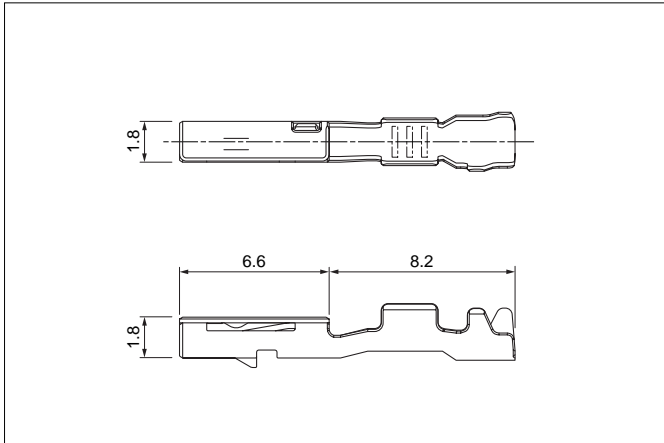
### Specifications

- Current rating: Power/ 7 A DC  
Signal/ 5 A DC
- Voltage rating: 50 V DC
- Temperature range: -40°C to +120°C  
(including temperature rise in applying electrical current)
- Contact resistance: Initial value/ 8 mΩ max.  
After environmental tests/ 16 mΩ max.
- Insulation resistance: 100 MΩ min.
- Withstanding voltage: 1,000 VAC/minute
- Applicable wire: AVSS 0.3 mm<sup>2</sup> to 0.85 mm<sup>2</sup>  
AESSX-f 0.3 mm<sup>2</sup> to 0.75 mm<sup>2</sup>

\* Compliant with ELV/RoHS.

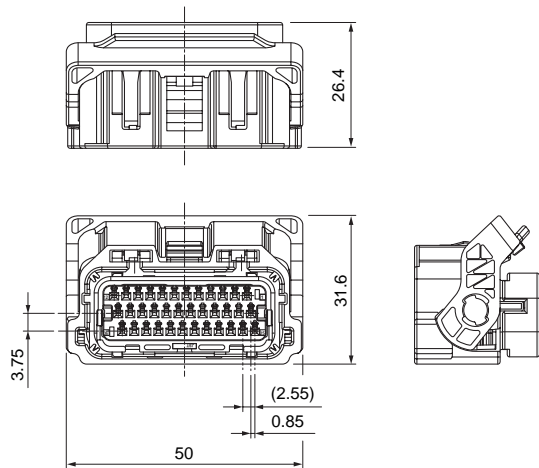
\* Contact JST for details.

## Female terminal

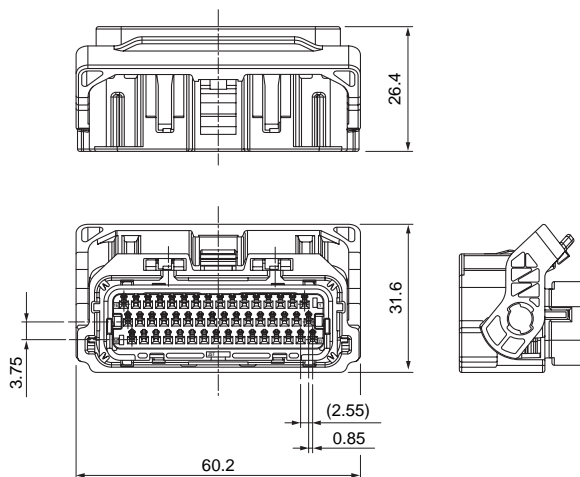


## Female connector

### • 36 circuits



### • 48 circuits



Model No.	Applicable wire range		Q'ty/reel
	Conductor (mm <sup>2</sup> )	Insulation O.D. (mm)	
<b>SZRO-A021T-M0.64</b>	0.3 to 0.5	1.4 to 1.7	7,500
<b>SZRO-A031T-M0.64</b>	0.75 to 0.85	1.8 to 1.9	7,000

### Material and Finish

Copper alloy, tin-plated (reflow treatment)

Circuits	Model No.	Key Code	Applicable wire range (mm <sup>2</sup> )	Q'ty/box	Housing Color	Wire seal Color
36	<b>36ZRO-B-1A</b>	A	0.5 to 0.85	512	Black	Brown
	<b>36ZRO-B-2A</b>	A	0.3 to 0.85 (Note)	512	Black	Red
	<b>36ZRO-B-2B</b>	B	0.3 to 0.85 (Note)	512	Gray	Red
48	<b>48ZRO-B-1A</b>	A	0.5 to 0.85	384	Black	Brown
	<b>48ZRO-B-1B</b>	B	0.5 to 0.85	384	Gray	Brown
	<b>48ZRO-B-2A</b>	A	0.3 to 0.85 (Note)	384	Black	Red
	<b>48ZRO-B-2B</b>	B	0.3 to 0.85 (Note)	384	Gray	Red

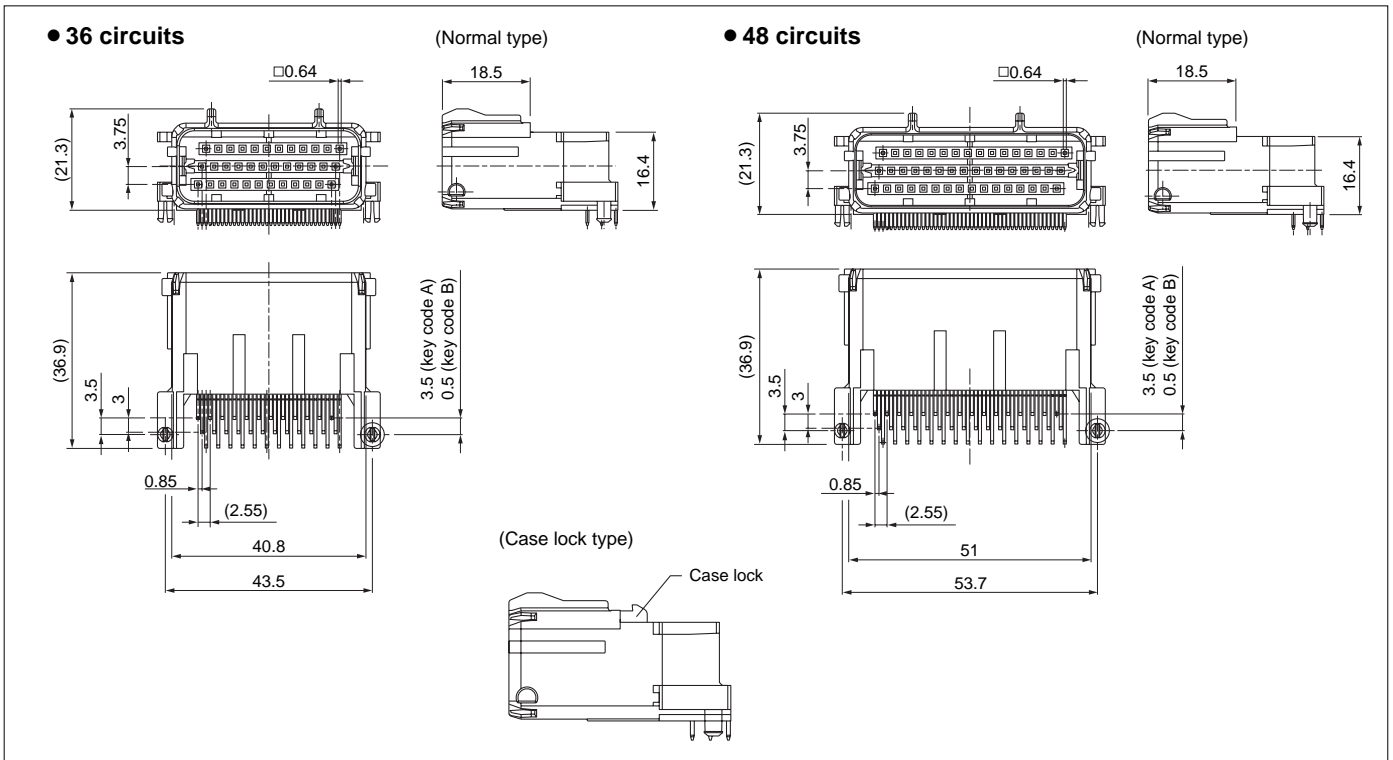
### Material and Finish

Housing: Glass-filled PBT  
Seal: Silicone  
Lever: POM

Note: There is a limit to an arrangement and number of wires when 0.75 mm<sup>2</sup> and 0.85 mm<sup>2</sup> wires applied. Refer to the drawing or contact JST for details.

# ZRO CONNECTOR

## Male connector

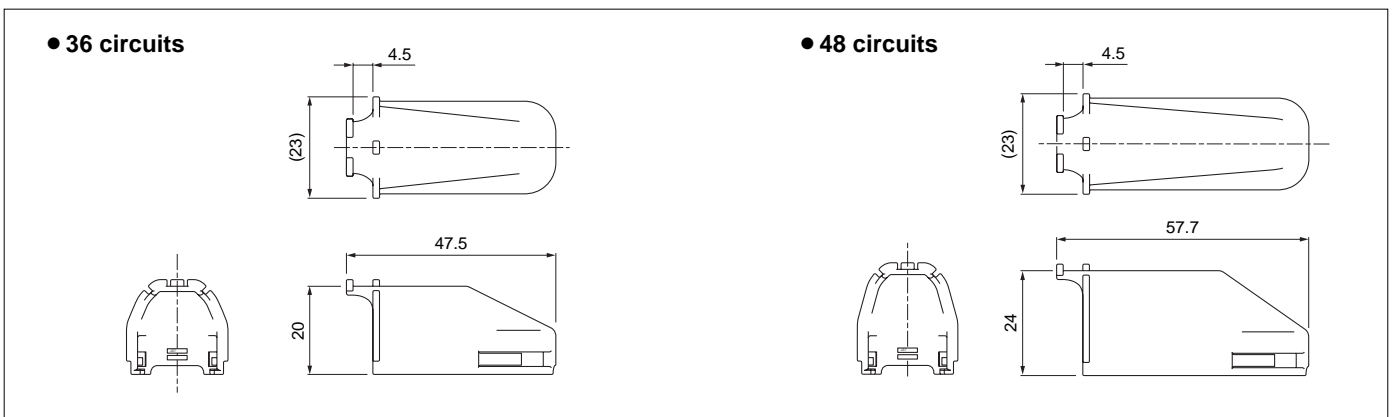


Type	Circuits	Model No.	Key Code	Q'ty/box	Housing Color
Normal	36	S36B-ZROK-2A-R	A	240	Black
		S36B-ZROH-2B-R	B		Gray
	48	S48B-ZROK-2A-R	A	192	Black
		S48B-ZROH-2B-R	B		Gray
Case lock	36	S36B-ZROK-3A-R	A	240	Black
		S36B-ZROH-3B-R	B		Gray
	48	S48B-ZROK-3A-R	A	192	Black
		S48B-ZROH-3B-R	B		Gray

### Material and Finish

Housing: Glass-filled PBT  
Pin: Brass, tin-plated (reflow treatment)

## Harness cover

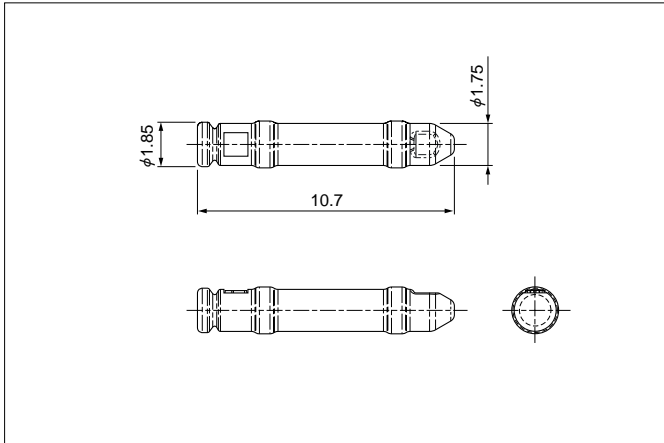


Circuits	Model No.	Q'ty/box	Housing Color
36	ZROHC-36H-K-1	900	Black
48	ZROHC-48H-K-1	600	Black

### Material and Finish

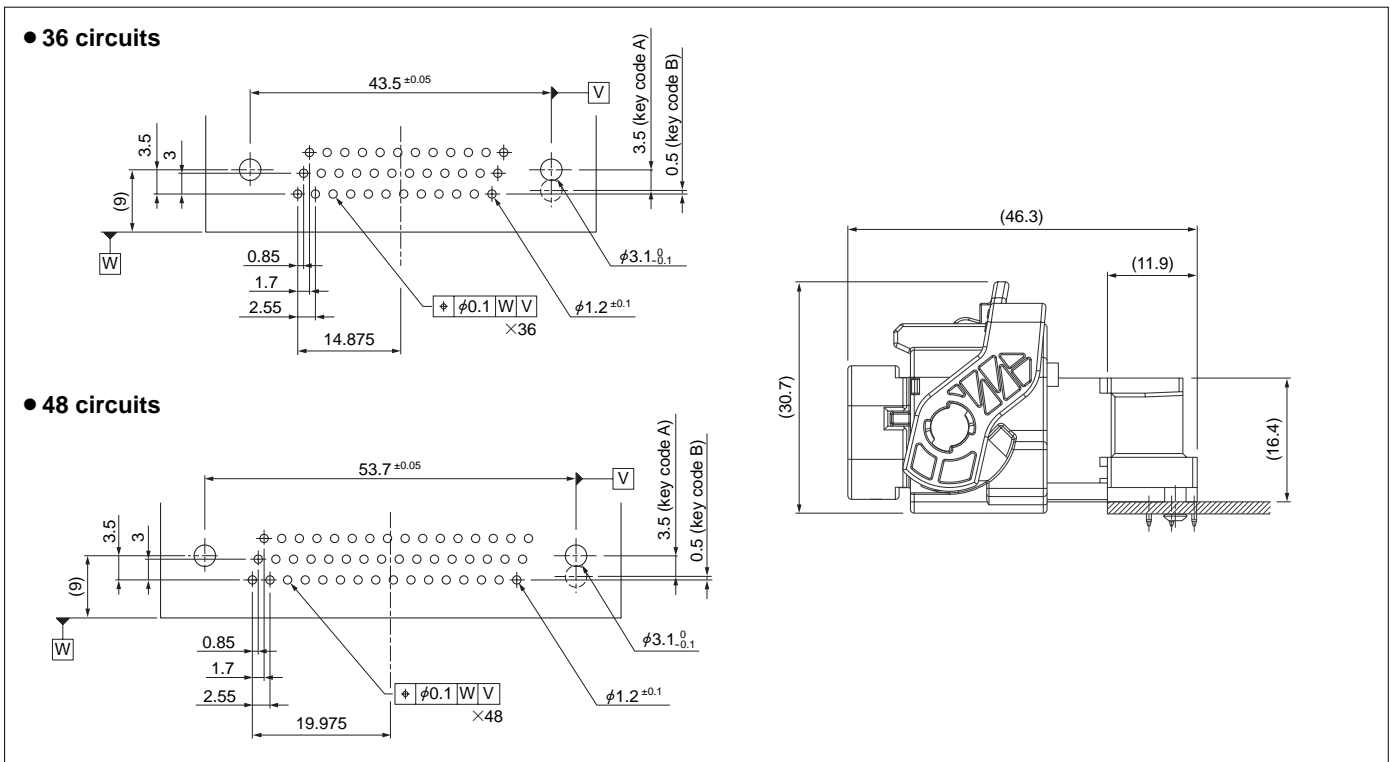
PBT

## Dummy plug



Model No.	Q'ty/box
WPHDP-H-1A-H	7,000
Material and Finish	
PBT, Gray	

## PC board layout, Assembly layout



## Crimping machine, Applicator

Strip terminal	Crimping machine	Crimp applicator MKS-L	
		Dies	Crimp applicator with dies
SZRO-A021T-M0.64	AP-K2N	MK/SWPH-A021-064	APLMK SWPH-A021-064
SZRO-A031T-M0.64		MK/SZRO-A031-064	APLMK SZRO-A031-064

Note: When crimping operation is conducted using an applicator and die set other than the above, JST cannot guarantee the performance of the terminal.

## X-ON Electronics

Largest Supplier of Electrical and Electronic Components

*Click to view similar products for [Automotive Connectors](#) category:*

*Click to view products by [JST](#) manufacturer:*

Other Similar products are found below :

[003-018-000](#) [600858](#) [60403001](#) [60993906-B](#) [60993913-B](#) [629515004020001](#) [M902-2131](#) [M902-2161](#) [M902-2344](#) [72.330.1035.1](#)  
[73.353.4028.0](#) [F118010](#) [F119300-B](#) [F132210](#) [F132210-B](#) [F166900](#) [F180100](#) [F258300](#) [F258300-B](#) [F294300-B](#) [F339100](#) [F339700](#) [F358300-](#)  
[B](#) [F374110](#) [F407400](#) [F412210](#) [F427600](#) [F444110](#) [F487000](#) [F495100-B](#) [F500900-B](#) [F509500B-B](#) [770444-1](#) [776880-1](#) [827153-1](#) [881735-1](#)  
[8N1515-32-24P](#) [9-1326727-8](#) [9-1326729-8](#) [925467-1](#) [925474-1](#) [928905-1](#) [936398-2](#) [964562-1](#) [964562-4](#) [964731-2](#) [965051-1](#) [968782-1](#)  
[GT17SA-8DS-HU](#) [GT17VS-10DP-5.2CF](#)