

EMCB-200U-MP01E

CANBus Module

Datasheet

CONTENTS

1. Overview 4

2. Electrical Features 5

3. Environmental Features 6

4. Block Diagram 7

5. Pin Assignment and Description 8

 5.1 Connector, Switch and LED Location 8

 5.2 USB Interface Switch, SW1 8

 5.3 USB Interface Connector, USB1 9

 5.4 CAN Bus channel, CAN1 and CAN2 9

6. Physical Dimension 10

Appendix I: Part Number Table 11

Appendix II: Peripheral Cable recommendation..... 12

Revision History

Rev.	Date	History
0.1	2013/5/23	1. 1 st draft
0.2	2013/6/24	1. Modify the naming rule.

Advantech reserves the right to make changes without further notice to any products or data herein to improve reliability, function, or design. Information furnished by Advantech is believed to be accurate and reliable. However, Advantech does not assure any liability arising out of the application or use of this information, nor the application or use of any product or circuit described herein, neither does it convey any license under its patent rights nor the rights of others.

Copyright © 1983-2013 Advantech Co., Ltd. All rights reserved.

1. Overview

Advantech EMCB-200U CANBus module is a high-quality electronic component developed and manufactured according to the CAN networks standards. The form factor of EMCB-200U CANBus module is designed the full-size Mini PCIe & module type combo solution. The EMCB-200U is following the MiniPCIe definition and added USB pin header.

2. Electrical Features

■ CANBus

- MiniPCIe form factor
- Using Microchip's PIC MCU, Stand-Alone CAN controller and TI's CAN transceiver
- CANbus connection according to ISO 11898-1, ISO 11898-2
- Compliant with 11-bit-ID (CAN 2.0A standard format) and 29-bit-ID (CAN 2.0B extended format) identifiers
- Galvanic isolation on CAN connection up to 300 V, separate for each CAN channel
- Two CAN controllers and buses. Two CAN (CAN1 and CAN2) channels with isolated
- Time-stamped CAN messages
- Bit rates up to 1 Mbit/s on each channel
- Low Power consumption
- 3 control LEDs

■ USB Interface

- Fully compliant with USB 2.0 spec.
- Reserved another USB pin header on the module
(The EMCB-200U model is ready the USB signal on both MiniPCIe side (Pin 23, 25, 31, 33) and Pin Header (USB1). While using, please kindly select only one of the two.)
- Support Control, Bulk, Interrupt and Isochronous endpoints
- Endpoint maximum packet size selection (up to USB maximum specification) by software at run time

3. Environmental Features

■ Temperature Ranges

- Operating : -40°C ~ 85°C
- Storage : -40°C ~ 85°C

■ Humidity

- 25% ~ 95%, 40°C

■ Random Vibration Test

- 5 - 500Hz, PSD 0.028G²/Hz,3.5Grms
- 3 axes, 1 hr/per axis

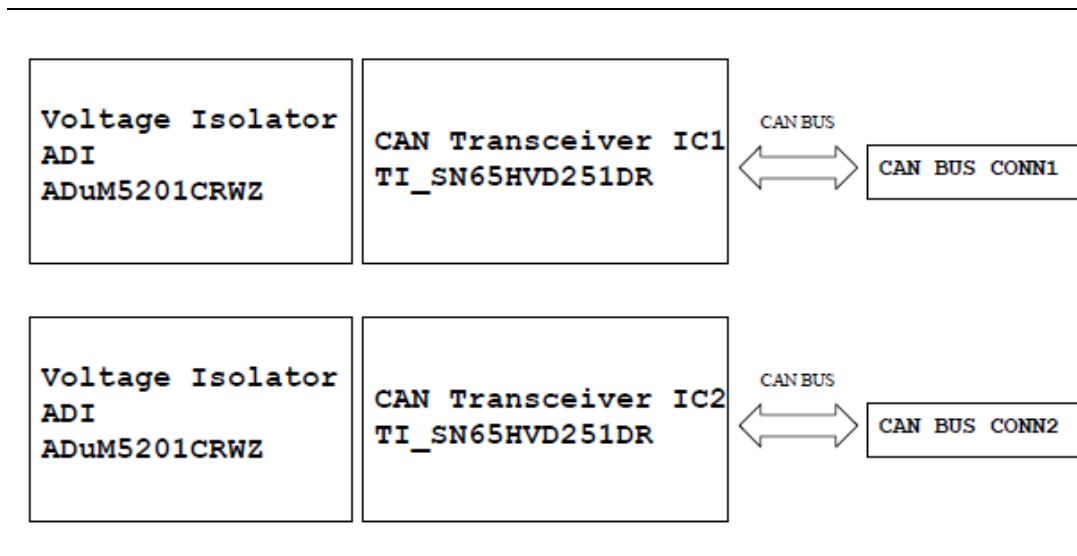
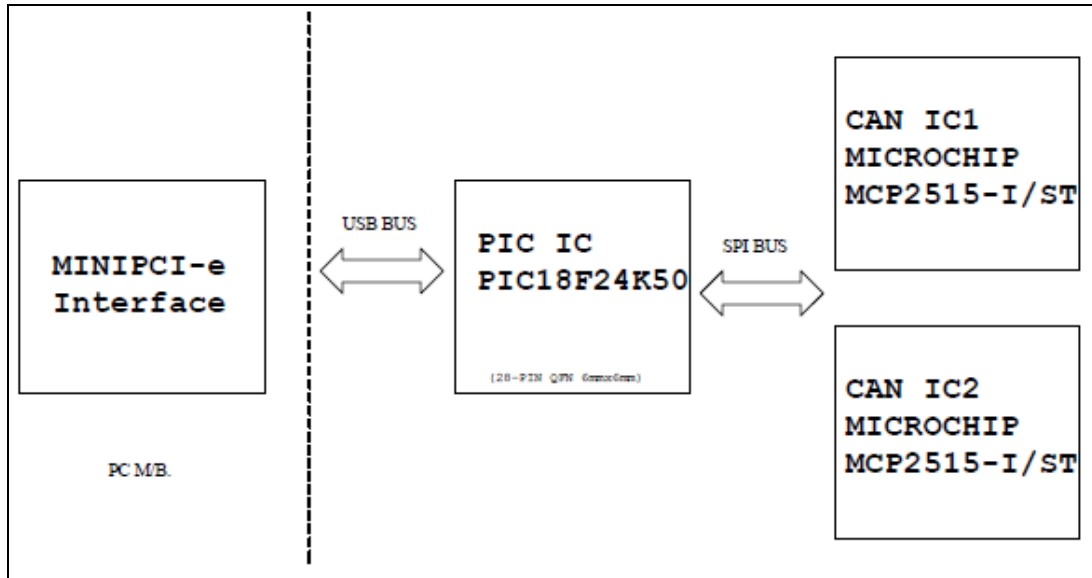
■ Acquired RoHS Certificate

■ Dimension : 50.95 mm x 30 mm x 10 mm

■ Weight : 30 g

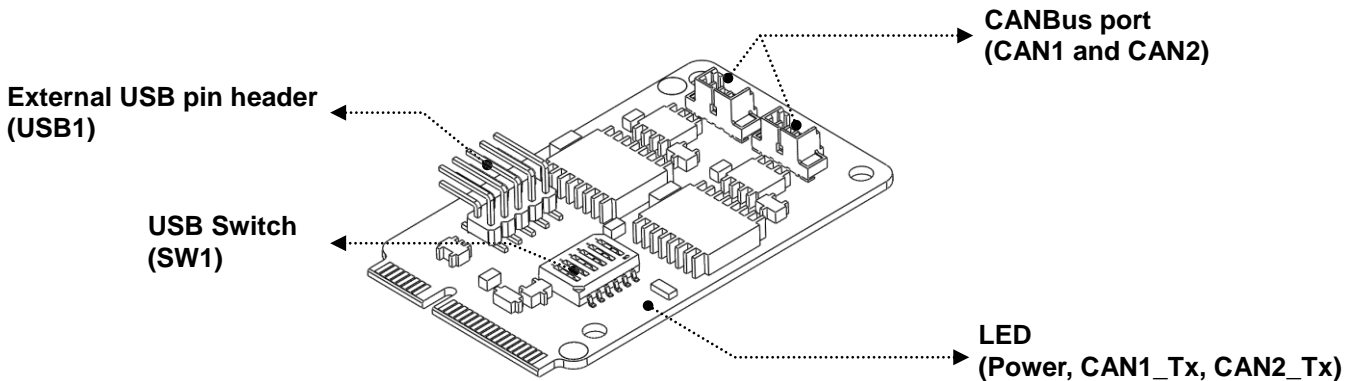
4. Block Diagram

Below Figure shows the operation of Advantech EMCB-200U CANBus module from the system level, including the major hardware blocks.



5. Pin Assignment and Description

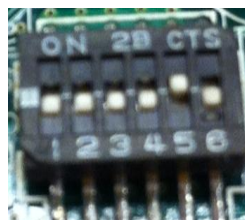
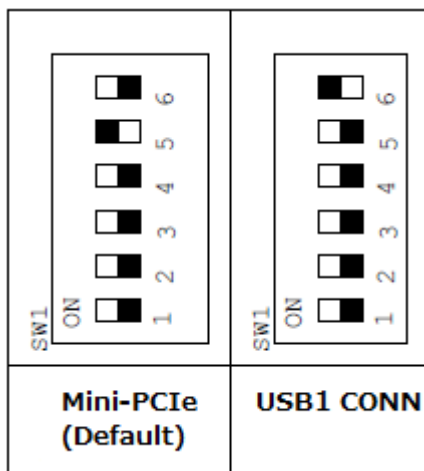
5.1 Connector, Switch and LED Location



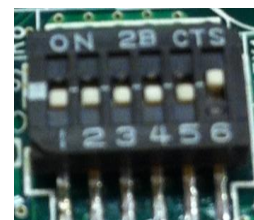
LED #	Function
D1	Green, Power on/off LED
D2	Red, CAN-1 Tx LED
D3	Red, CAN-2 Tx LED

5.2 USB Interface Switch, SW1

The EMCB-200U have designed difference USB interface for difference usage. One is by MiniPCle connector. Another is by USB pin header, USB1. We are able to choose which one that we are going to use. And, change the setting of SW1 before connect with USB signal. While we change the setting, please cut off the input power from system. The USB interface of default setting is through MiniPCle connector about EMCB-200U model.



MiniPCle (Default)

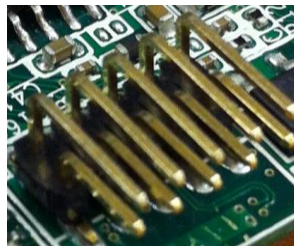
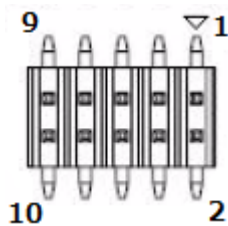


USB1 Connector

5.3 USB Interface Connector, USB1

The USB interface connector, USB1, is a 2.0mm 2x5-pins 90 degree, Male type pin header connector. The pins are numbered as shown in the table below. This connector has combined both USB and Programming pin together. (Please don't use and connect to programming pin by self.)

USB1 Pin #	Signal Name	Signal Function	USB1 Pin #	Signal Name	Signal Function
1	VBus	USB Power (+5V)	2	+5V	ICSP Programming usage
3	D-	USB D-	4	PG_DAT	
5	D+	USB D+	6	PG_CLK	
7	GND	Ground	8	MCLR#	
9	GND	Ground	10	GND	



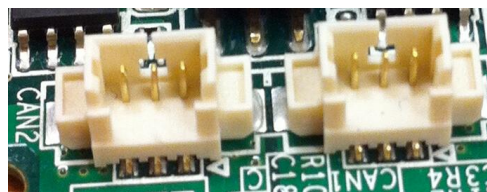
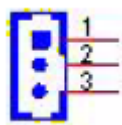
USB and ICSP Connector

5.4 CAN Bus channel, CAN1 and CAN2

The EMCB-200U have designed 2-channel of CAN Bus port which is CAN1 and CAN2. It is a 1.25mm 1x3-pins 180 degree, Male type pin header connector. The pins are numbered as shown in the table below.

CAN1 Pin #	Signal Name	Signal Function
1	CAN_H	Differential Signal
2	CAN_L	Differential Signal
3	GND	Ground

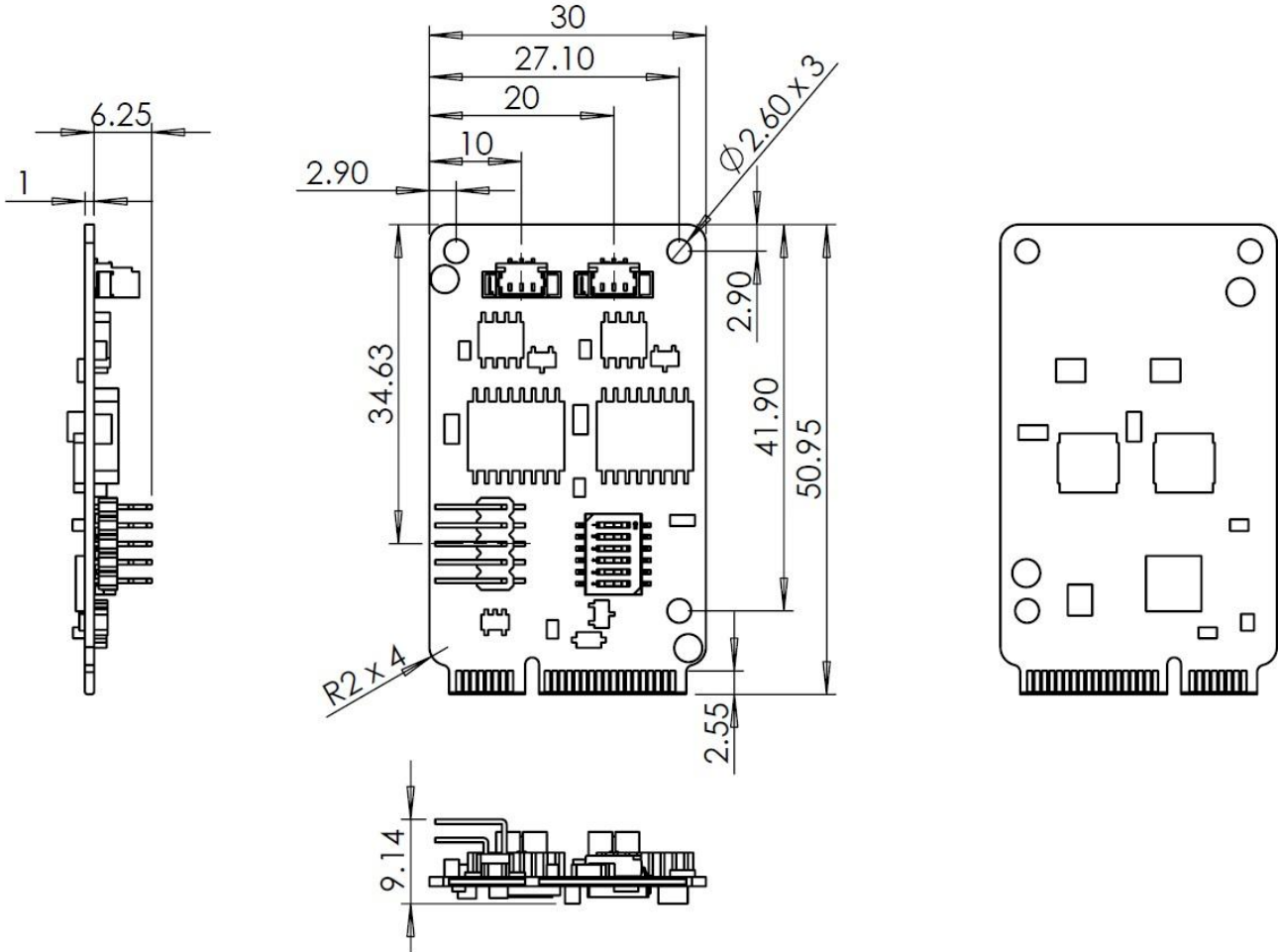
CAN2 Pin #	Signal Name	Signal Function
1	CAN_H	Differential Signal
2	CAN_L	Differential Signal
3	GND	Ground



CAN Bus Connector

6. Physical Dimension

EMCB-200U-MP01E CANBus module (Unit: mm)

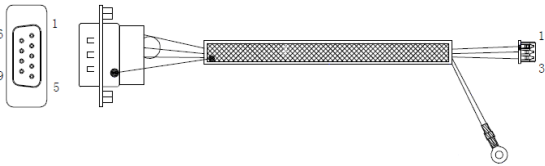


Appendix I: Part Number Table

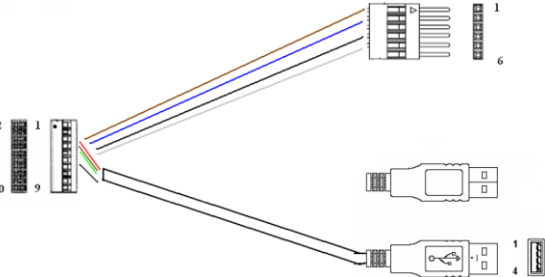
Product Description	Advantech P/N
Advantech EMCB-200U CANBus module, 2-Ch, USB I/F (-40~85°C)	EMCB-200U-MP01E

Appendix II: Peripheral Cable recommendation

1. CANBus cable

Advantech P/N	Description	Picture
1700021705-01	Cable, D-SUB 9P to 1x3P-1.25mm+G-TEM, L=30cm	

2. Between the USB1 and Main Board

Advantech P/N	Description	Picture
TBD	Cable, 2x5P-2.0mm to USB-B (F), L=30cm + 1x6P-2.54mm (M)	

X-ON Electronics

Largest Supplier of Electrical and Electronic Components

Click to view similar products for [Interface Modules](#) category:

Click to view products by [Advantech](#) manufacturer:

Other Similar products are found below :

[CYG2218](#) [FAB118](#) [8500-003](#) [IFD8520](#) [FAB100-RC](#) [20-101-1338](#) [cPCI-3544](#) [CYG2217](#) [CYG2320](#) [422CON](#) [ATX6022/14GP7](#)
[ATX6022/8](#) [AX93221-24/48](#) [cPCI-3538](#) [USB30-MIPI-TESTER-OV10640](#) [MTAC-LORA-H-915](#) [OPT8AP-AE](#) [60006-016](#) [96RMKVM-](#)
[19V1C-A](#) [60016-011](#) [60016-014](#) [60006-008](#) [60016-015](#) [60011-075](#) [LPC1e-3488A](#) [HPCI-14S12U](#) [cBP-3208](#) [cBP-3062A](#) [FAB205-6P5](#)
[FAB114](#) [ATX6022/6](#) [60016-012](#) [96RMKVM-17V1C-A](#) [BB-QCLDVDSV2-KIT](#) [MOS-1120Y-0201E](#) [96RMLCD-17V1-A](#) [96RMKVM-](#)
[17V8C-A](#) [60004-005](#) [60016-017](#) [60006-019](#) [60006-009](#) [60004-002C](#) [PCIE-1622B-BE](#) [60016-035](#) [60016-034](#) [60016-031](#) [60016-030](#) [60016-](#)
[026](#) [60016-025](#) [60016-024](#)