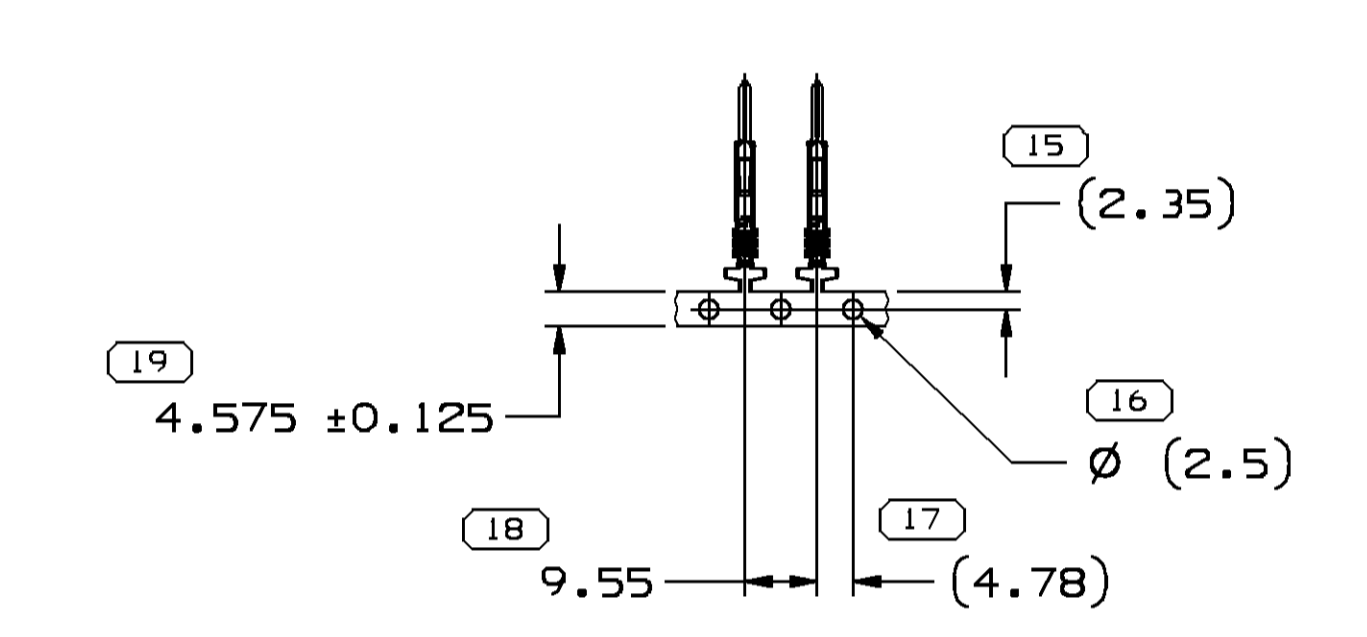
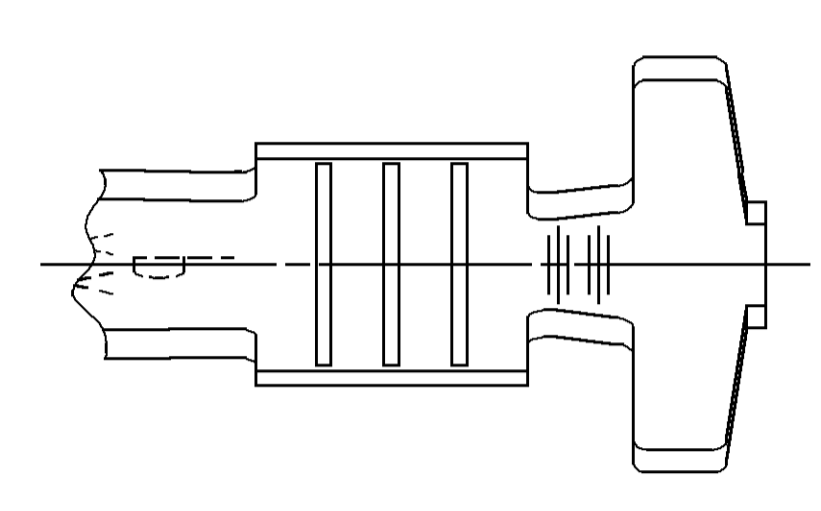
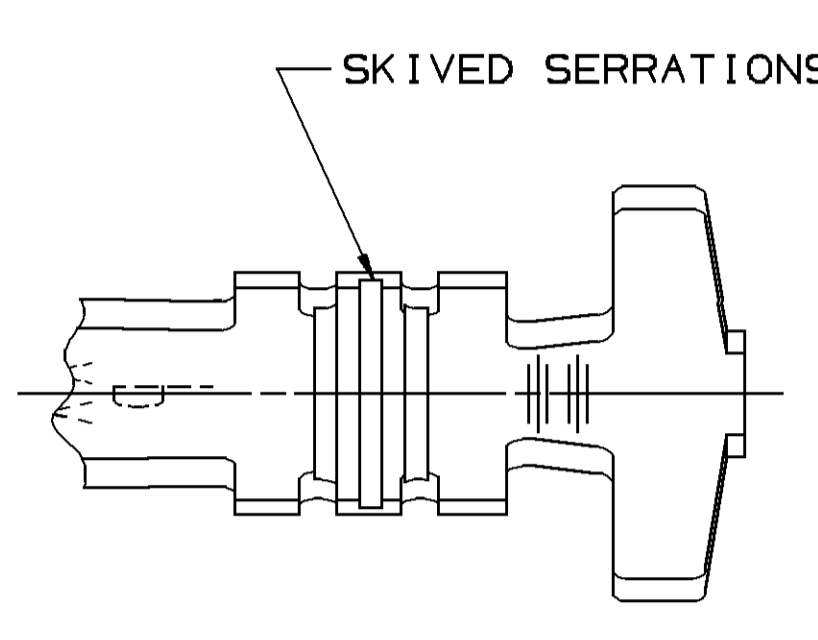
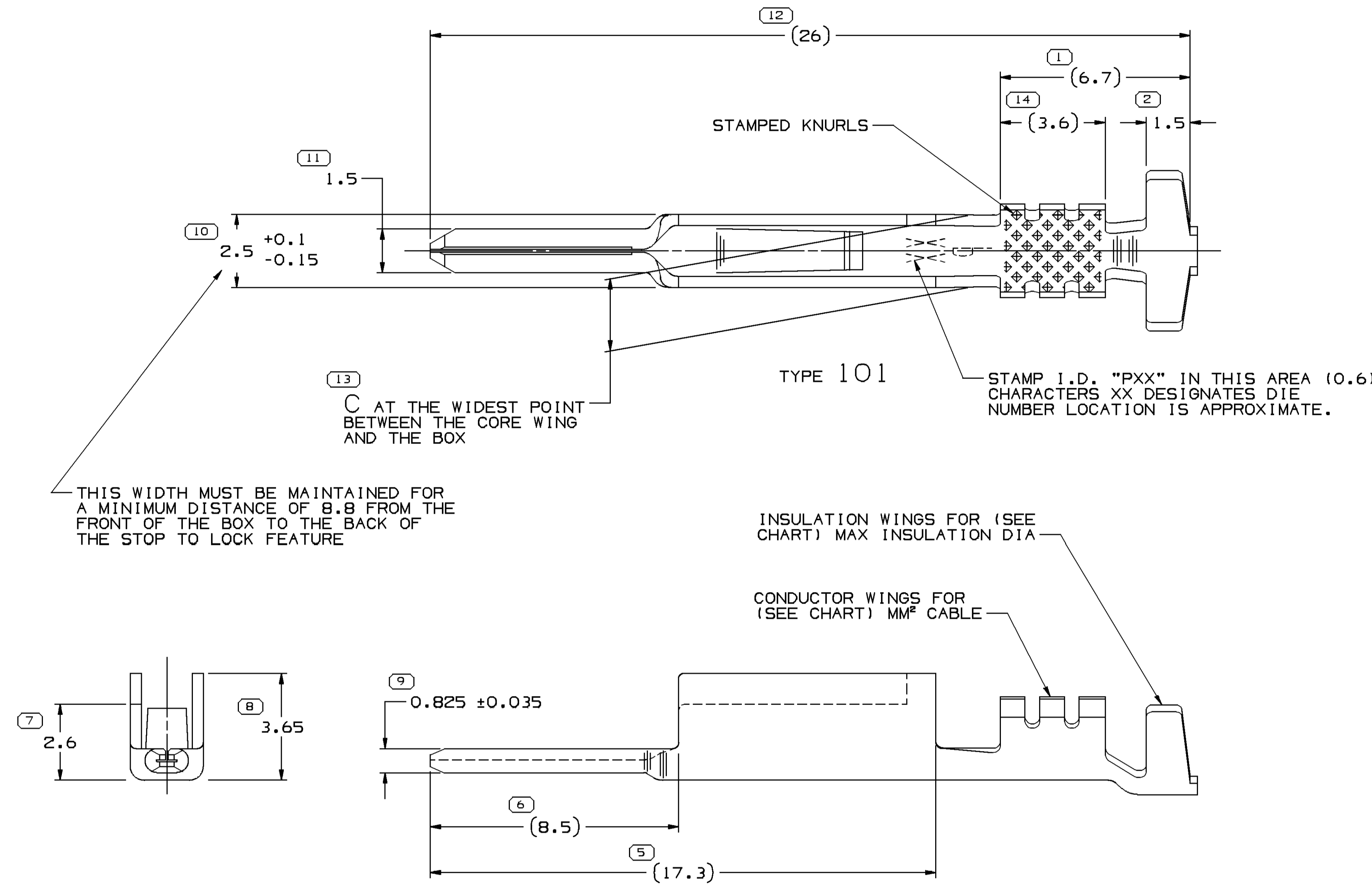


SYMBOL DEFINITION		TOTAL NO OF INSPECTIONS REQUIRED	NO MISSING SYMBOL NUMBER
A DIMENSION WITHOUT AN INSPECTION REPORT SYMBOL DOES NOT REQUIRE INSPECTION. IT MAY BE CONTROLLED ON THE INDIVIDUAL COMPONENT DRAWING.		19	
	LAST NO. USED	19	

DWS STATUS				REVISION HISTORY				AUTH	DR	APVD	APV2	
DATE	STG	REV	W/P	CHG	ZONE							
26NO96	-	-	-	-	-	ALL PARTS-PID CREATED FROM SEPARATE PID'S NO REV UPDATED-REQ'D 15317765				960005	WTP	WTP
26NO96	-	-	-	-	-	ALL ACTIVE PARTS-REVISED-REV LEVELS ADVANCED				176842	WTP	WTP
13JA96	-	-	-	-	-	12047581-12059894-12191889 & 15317765 REVISED-REV LEVELS ADVANCED				176913	EMB	EMB
11MR97	-	-	-	-	-	15317765 REVISED-REV LEVEL ADVANCED				178061	MVA	MVA
08MY97	-	-	-	-	-	ALL ACTIVE PARTS-REVISED-NO REV UPDATE REQ'D				177551	PHC	PHC
08MY97	-	-	-	-	-	15355307-RELEASED TO REV "A"				970005	PHC	PHC
15JL97	-	-	-	-	-	12191889-PID UPDATED- NO REV UPDATE REQ'D				181156	EMB	EMB
18JA05	R	01	-	-	-	REVISED MATERIAL SPEC				262972	MM	MM
30MR05	R	02	-	-	-	ALL ACTIVE PARTS - TOLERANCE ON DIM #4 WAS ±0.1				265258	LMB	LMB
19MY05	R	03	-	-	-	ALL ACTIVE PARTS - UPDATED PDM ATTRIBUTES				268260	6PS	JVM
16AU05	R	04	-	-	-	ALL ACTIVE PARTS - ADDED STAMP I.D. LABEL				270616	RTV	FRG
22NO05	R	05	-	-	-	12191889 - RESTRICTED AND ADDED PROCESS NOTE # 2, 15305307 - RESTRICTED AND CABLE SIZE WAS 0.35-0.5				274640	MDH	JVM
15JA09	R	06	-	-	-	ALL ACTIVE PARTS - ADDED LABEL AND DIM 2.5 +0.1/-0.15 WAS 2.5 ±0.1				407112	SCR	ECB
08AP09	R	07	-	-	-	12040993 - OBSOLETE & REPLACED BY 12047581				407299	JTZ	FKV
10JA11	R	08	-	-	-	ALL ACTIVE PARTS- UPDATED PDM ATTRIBUTES				413005	LHT	LHT
05FE13	R	09	-	-	-	ALL ACTIVE PARTS- UPDATED PDM ATTRIBUTES				421357	JRV	FRE



- NOTES
- UNLESS OTHERWISE SPECIFIED AND/OR INDICATED:
 - DIMENSIONS ARE TO FACE OF VIEW SHOWN AND AUTOMATICALLY ROUNDED BY COMPUTER FOR INSPECTION (SEE MATH MODEL FOR PRECISE DIMENSIONS). FOR ALL OTHER DIMENSIONS NOT SHOWN BUT REQUIRED FOR TOOL BUILD, SEE MATH MODEL FOR PRECISE TOOL PATH DATA.
 - REFERENCE MATING COMPONENTS OR EQUIVALENT:
 - TERMINAL 12047767
 - MAX INSULATION CRIMP 3 HIGH X 2.6 WIDE.
- PROCESS NOTE
- LOOSE PLATING AND METAL 'FLAKES' TO BE WASHED FROM TERMINAL.
 - 12191889 IS SAME AS 12059894 BUT TERMINAL HAS TO BE WASHED AT MAKE DIE OR PROCESSED WITH NYOSIL-M25 LUBRICANT.

PART NO	REV	MAT'L SIZE	MAT'L SPEC	PART NO	REV	RESTRICTED USAGE	PROCESS NOTES	MAT'L SPEC	SIZE (MM ²)	I.D. CABLE	DIA	TYPE	A	B	C
		0.381 X 34.52		15305307	A8	RESTRICTED		M3617383 C42500 1/2 HD	2(0.35, 0.6)	226	103	4.4	3.2	2.55	
				15317765	D7			M3617383 C42500 1/2 HD	0.35-0.5	21	1.1-1.3	101	2.5	2.4	2.55
				12191889	D8	RESTRICTED	2	M3617383 C42500 1/2 HD	0.35-0.5	21	2.4-1.47	101	3.8	2.4	2.55
		0.381 X 34.52		12124731	B		1	M3617383 C42500 1/2 HD	0.5-0.8	19	2.4-1.84	101	4.4	3.2	2.55
		0.381 X 34.52		12059894	F7			M3617383 C42500 1/2 HD	0.35-0.5	21	2.4-1.47	101	3.8	2.4	2.55
		0.381 X 34.52		12047686	D			P3607ABN	0.35	22	1.86 MAX	102	3.6	2.2	2.6
12040993	J6	0.381 X 34.52	M14033B3	12047581	J7			M3617383 C42500 1/2 HD	0.5-0.8	19	2.4-1.84	101	4.4	3.2	2.55

DELPHI
DELPHI PACKARD ELECTRICAL/ELECTRONIC ARCHITECTURE

WARREN, OH
COPYRIGHT 1996 DELPHI CORPORATION AND/OR ITS AFFILIATES. ALL RIGHTS RESERVED. REVISED 05/11

THIS DRAWING IS THE PROPERTY OF DELPHI CORPORATION AND CONTAINS DELPHI CONFIDENTIAL INFORMATION. THE REPRODUCTION, DISTRIBUTION AND UTILIZATION OF THIS DOCUMENT OR ITS CONTENTS OR DATA, AS WELL AS COMMUNICATION OF ANY CONTENT TO OTHERS, WITHOUT EXPRESS AUTHORIZATION, IS PROHIBITED.

DATE: 05-FEB-13 Time: 15:53

OR DATE: 22NO96
APVD1 W. TURNBULL 22NO96
APVD2 W. TURNBULL 22NO96
APVD3 M. CHUPAK 22NO96
APVD4

SUBSTANCES OF CONCERN AND RECYCLED CONTENT, PER DELPHI (0944901)

DRAWING NAME: TAXI TERM M/W/P 150

DRAWING NUMBER: 12040995

SIZE: A0 SCALE: 10:1 FRM NO: 1 OF 1 SHEET NO: 1 OF 3 REV: N/P

APVD: W. TURNBULL 22NO96
APVD: M. CHUPAK 22NO96

UNLESS OTHERWISE SPECIFIED
THIS DOCUMENT IS IN ACCORDANCE WITH ASME Y14.5M-1994 AS MODIFIED BY THE DIMENSIONAL DIMENSIONING AND TOLERANCING ADDENDUM-2001. SEPARATE PATTERNS OF FEATURES MAY BE SHOWN SEPARATELY, IRRESPECTIVE OF DATUM REFERENCES.

ALL DIMENSIONS ARE IN MILLIMETERS

REFERENCE:

THIRD ANGLE PROJECTION

DO NOT SCALE USE MATH DATA

PROCESS SENSITIVE DIMENSION

DIMENSIONS ENCLOSED IN () INDICATE REFERENCE DIMENSIONS AND NO TOLERANCE LIMITS ARE ESTABLISHED

ANGULAR TOLERANCE ±0.2°

X-ON Electronics

Largest Supplier of Electrical and Electronic Components

Click to view similar products for [Automotive Connectors](#) category:

Click to view products by [Delphi](#) manufacturer:

Other Similar products are found below :

[003-018-000](#) [600858](#) [60403001](#) [60993906-B](#) [60993913-B](#) [629515004020001](#) [M902-2131](#) [M902-2161](#) [M902-2344](#) [72.330.1035.1](#)
[73.353.4028.0](#) [F118010](#) [F119300-B](#) [F132210](#) [F132210-B](#) [F166900](#) [F180100](#) [F258300](#) [F258300-B](#) [F294300-B](#) [F339100](#) [F339700](#) [F358300-](#)
[B](#) [F374110](#) [F407400](#) [F412210](#) [F427600](#) [F444110](#) [F487000](#) [F495100-B](#) [F500900-B](#) [F509500B-B](#) [770444-1](#) [776880-1](#) [827153-1](#) [881735-1](#)
[8N1515-32-24P](#) [9-1326727-8](#) [9-1326729-8](#) [925467-1](#) [925474-1](#) [928905-1](#) [936398-2](#) [964562-1](#) [964562-4](#) [964731-2](#) [965051-1](#) [968782-1](#)
[GT17SA-8DS-HU](#) [GT17VS-10DP-5.2CF](#)