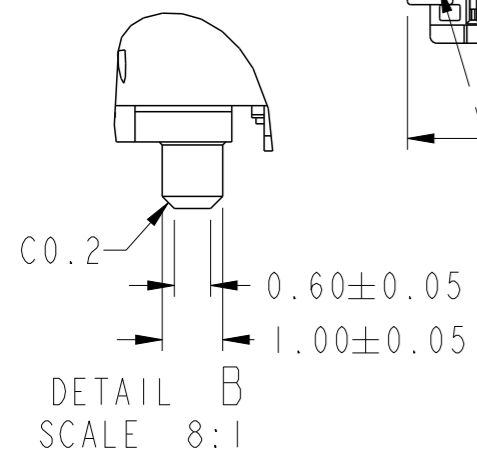
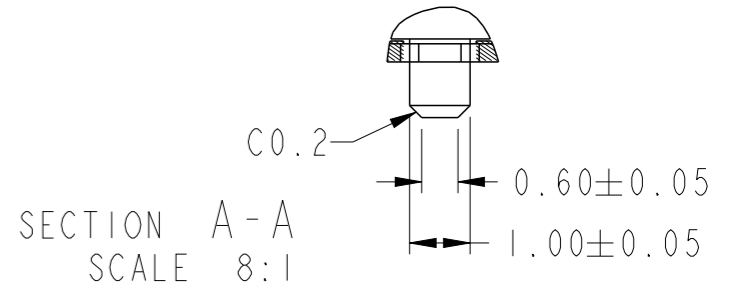
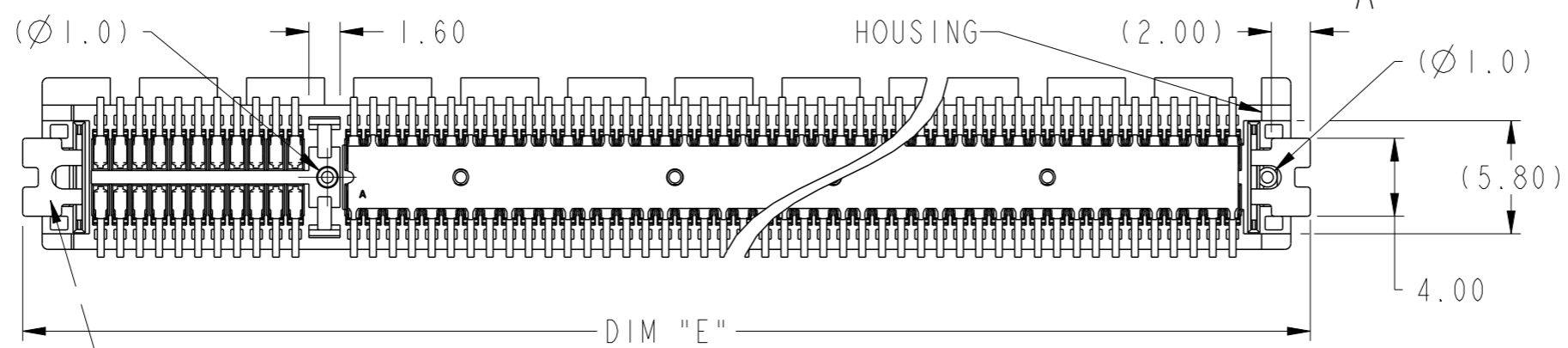
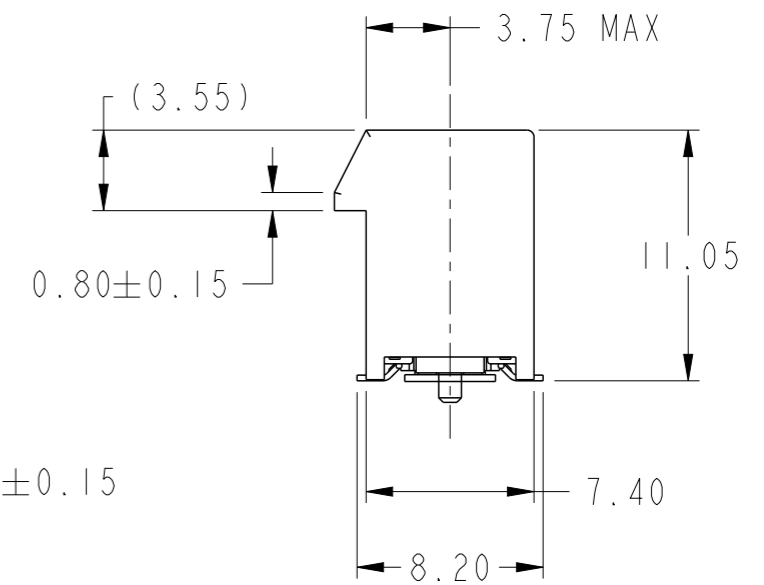
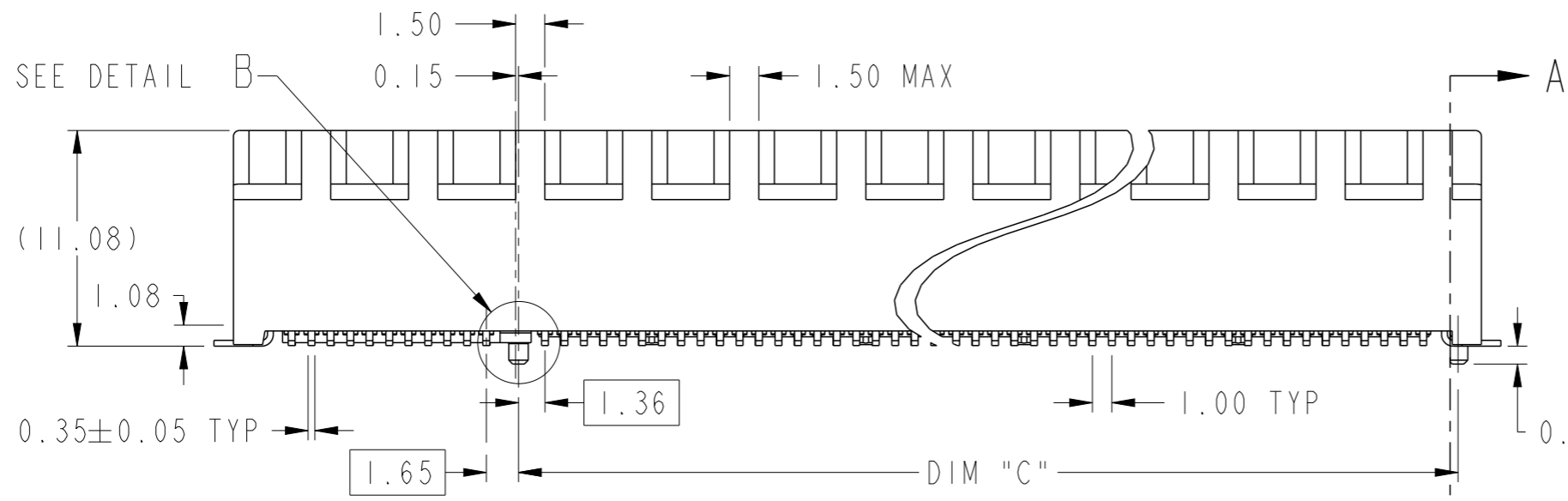
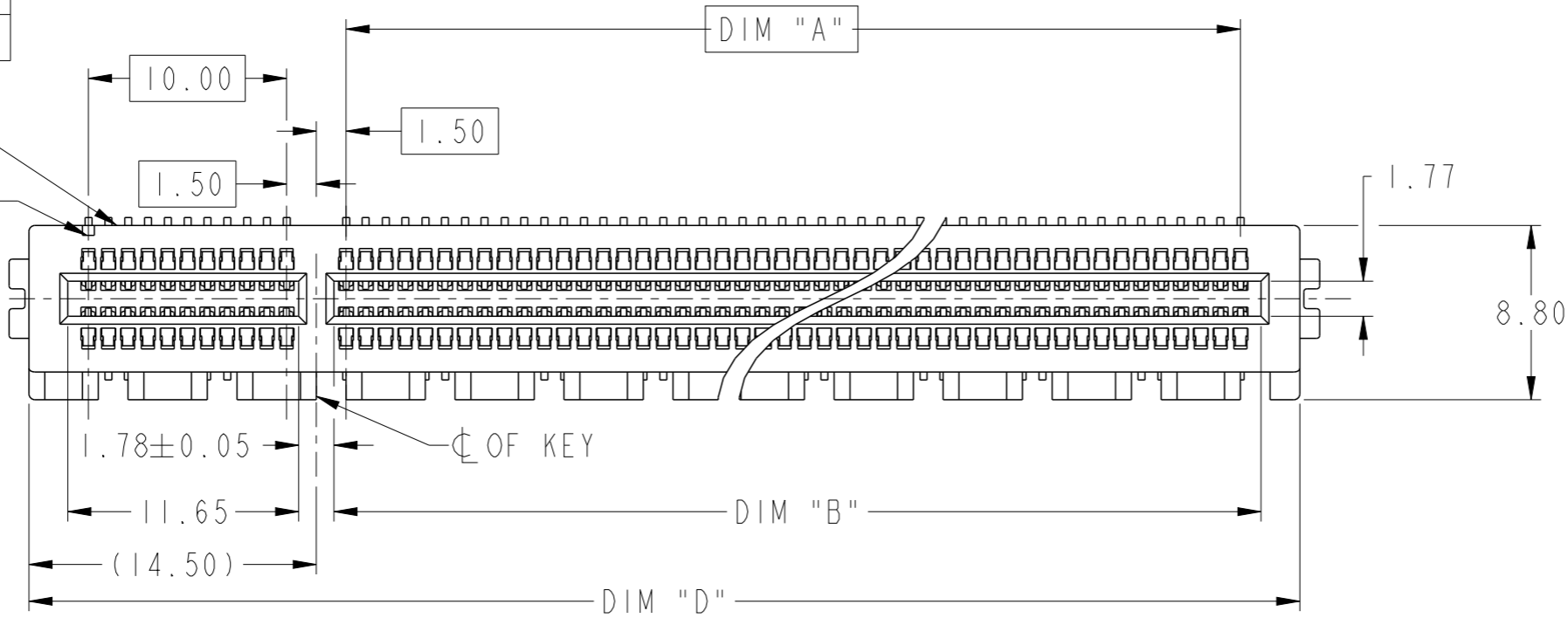


PRODUCT PARTNUMBER
10144667-1XXX0LF

DATA CODE &
PARTNO
#AI IDENTIFIER



HOLDDOWN
CLIP

spec ref	-	dr	Cheong, Matthe	2018/01/10
tolerance std	ISO 406 ISO 1101	eng	Cheong, Matthe	2018/05/22
	TOLERANCES UNLESS OTHERWISE SPECIFIED	chr	-	-
surface		ISO 1302	appr	Koon-Poh Tay
	linear	0.X	±0.30	
		0.XX	±0.20	
		0.XXX	±0.1	
	angular	0°	±2°	

projection	MM	size	A3	scale	3:1
product family	PCI express	ecn no	ELX-S-30246-1	rel level	Released
Amphenol FCI	PCI Express Gen 5 (32Gb/s)	dwg no	10144667	rev	B
www.fci.com	SMT Type	Product - Customer Drw	sheet 1 of 4		

Amphenol
FCi

© 2016 AFCI

1

2

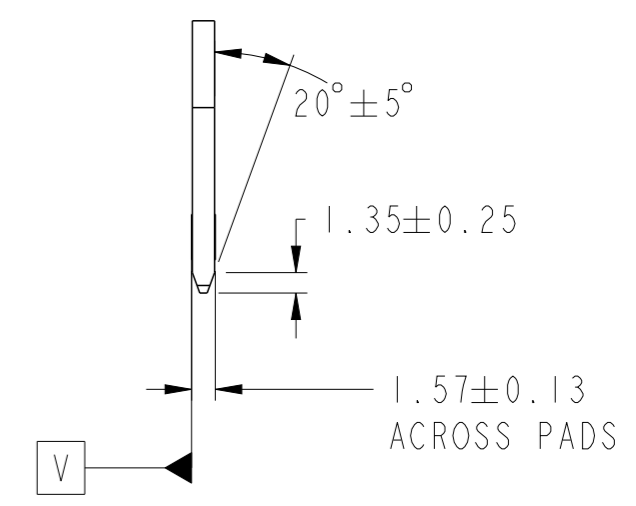
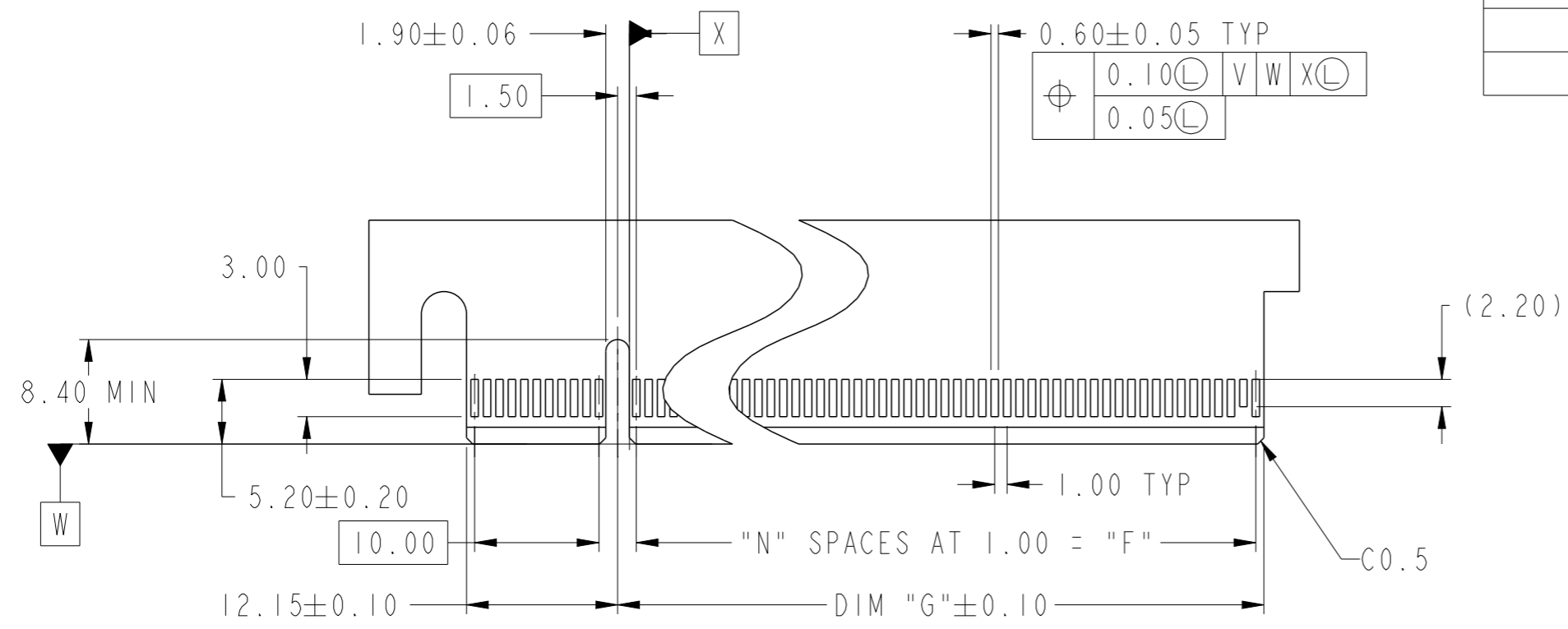
3

4

CONNECTOR LINK WIDTH	POSITION	N	DIM "G"	DIM "F"	PIN "L"
X1	36	6	8.15	6.00	B17
X4	64	20	22.15	20.00	B31
X8	98	37	39.15	37.00	B48
X16	164	70	72.15	70.00	B81

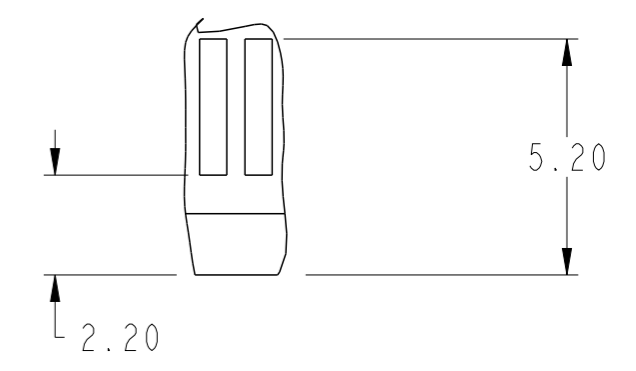
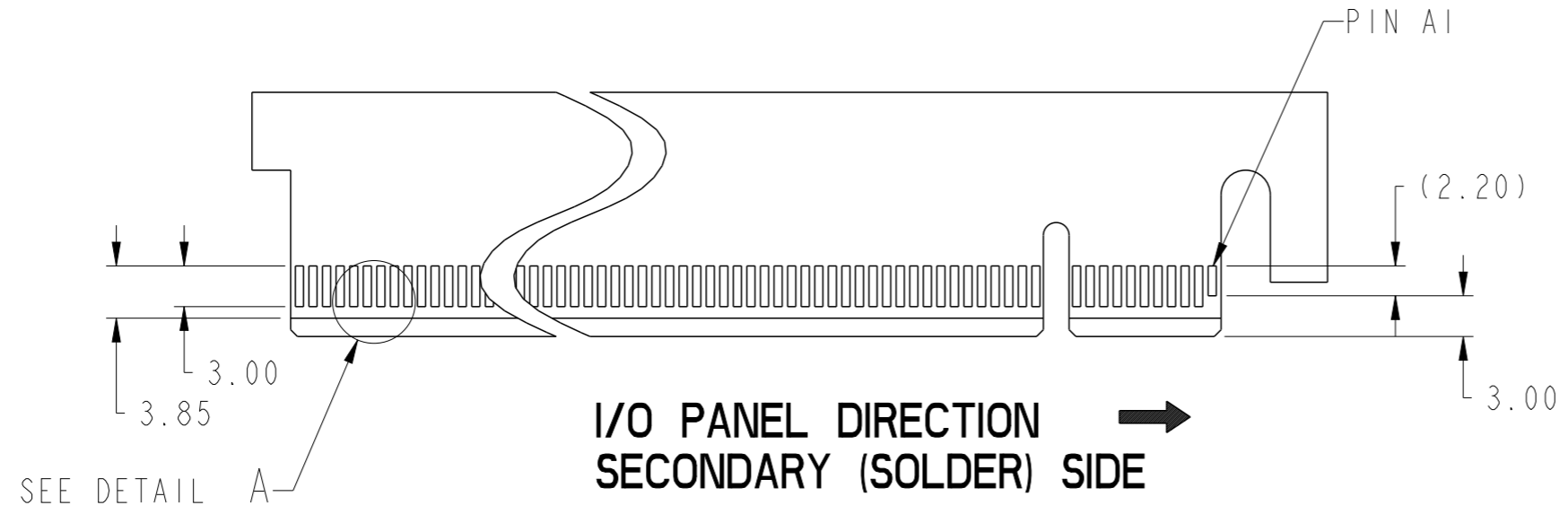
A

B



← I/O PANEL DIRECTION
PRIMARY (COMPONENT) SIDE

C



DETAIL A
SCALE 6:1

I/O PANEL DIRECTION →
SECONDARY (SOLDER) SIDE

- NO TIE BAR PERMITTED FROM CARD EDGE TO LEADING EDGE OF PAD FOR PIN A1 AND PIN "L".
- CHAMFER EDGES MUST BE FREE OF CUTTING BURRS.
- TOLERANCE : ± 0.13
- CONTACT AFCI ENGINEERING FOR SI REPORT

spec ref	-	dr	Cheong, Matthe	2018/01/10	projection	MM	size	A3	scale	2:1
tolerance std	ISO 406 ISO 1101	eng	Cheong, Matthe	2018/05/22			ecn no	ELX-S-30246-1	rel level	Released
TOLERANCES UNLESS OTHERWISE SPECIFIED		chr	-	-			product family	PCI express		
surface	linear	0.X	±0.30	Amphenol FCI www.fci.com	PCI Express Gen 5 (32Gb/s)		dwg no 10144667	rev B		
		0.XX	±0.20		SMT Type					
	angular	0°	±2°		cat. no.	Product - Customer Drw			sheet 2 of 4	

Amphenol FCI

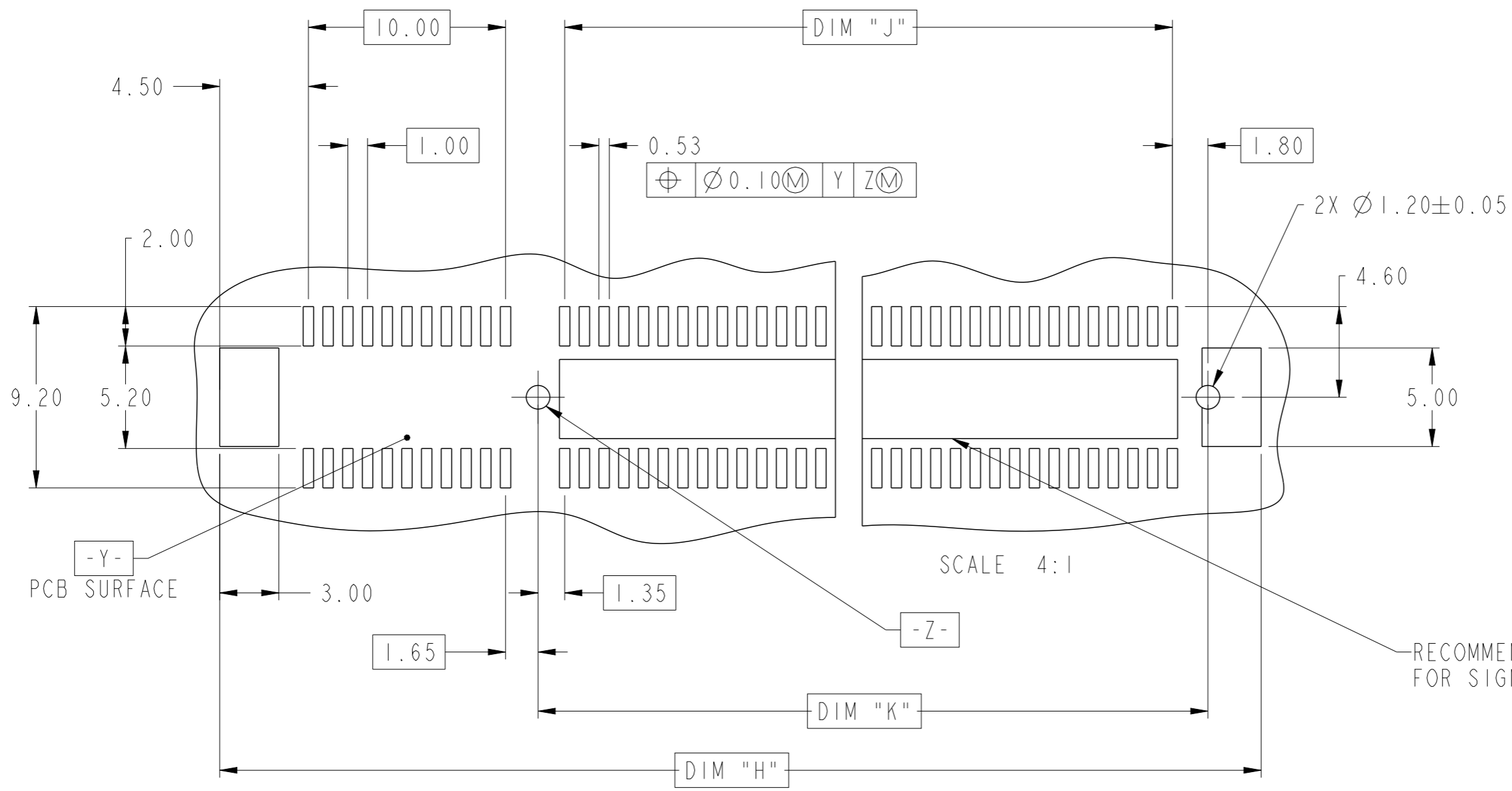
© 2016 AFCI

1

2

3

4



DIMENSIONS								
POSITION	A	B $\begin{smallmatrix} +0.15 \\ -0.05 \end{smallmatrix}$	C ± 0.10	D ± 0.23	E ± 0.20	H ± 0.10	J	K ± 0.10
36	6.00	7.65	9.15	25.00	27.00	28.00	6.00	9.15
64	20.00	21.65	23.15	39.00	41.00	42.00	20.00	23.15
98	37.00	38.65	40.15	56.00	58.00	59.00	37.00	40.15
164	70.00	71.65	73.15	89.00	91.00	92.00	70.00	73.15

spec ref	-	dr	Cheong, Matthe	2018/01/10	projection	MM	size	A3	scale	4:1		
tolerance std	ISO 406 ISO 1101	eng	Cheong, Matthe	2018/05/22			ecn no	ELX-S-30246-1				
surface	-	chr	-	appr			Koon-Poh Tay	2018/05/25	product family	PCI express		rel level
		linear	0.X	± 0.30	Amphenol FCI PCI Express Gen 5 (32Gb/s) SMT Type www.fci.com			dwg no	10144667		rev	B
		angular	0°	$\pm 2^\circ$				cat. no.	-	Product - Customer Drw	sheet 3 of 4	

PRODUCT NUMBER CODE

10144667-□□□□OLF

HOUSING COLOR

△ B
1: BLACK

CONTACT AREA PLATING

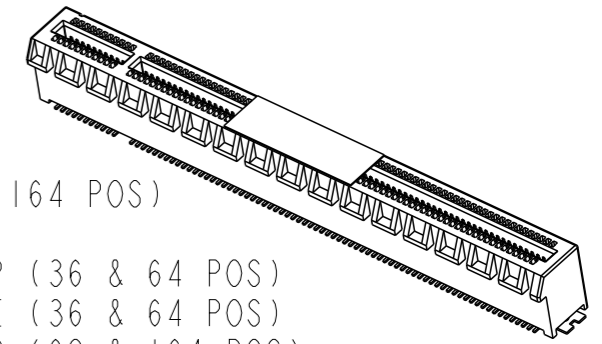
1: 30u" Au
2: 15u" Au

PACKAGING OPTIONS

△ B
A: HARD TRAY (DIM: 323 x 136 x 19) WITH KAPTON TAPE (164 POS)
Q: HARD TRAY (DIM: 323 x 136 x 19) (164 POS)
C: SOFT TRAY (DIM: 317.5 x 235 x 18) WITH PICK UP CAP (36 & 64 POS)
T: SOFT TRAY (DIM: 317.5 x 235 x 18) WITH KAPTON TAPE (36 & 64 POS)
X: HARD TRAY (DIM: 330 x 235 x 19.3) WITH PICK UP CAP (98 & 164 POS)
Y: HARD TRAY (DIM: 330 x 235 x 19.3 WITH KAPTON TAPE (98 & 164 POS)
Z: HARD TRAY (DIM: 330 x 235 x 19.3 WITH KAPTON TAPE, 86MM (164 POS)

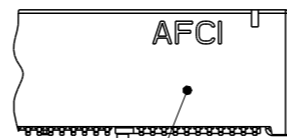
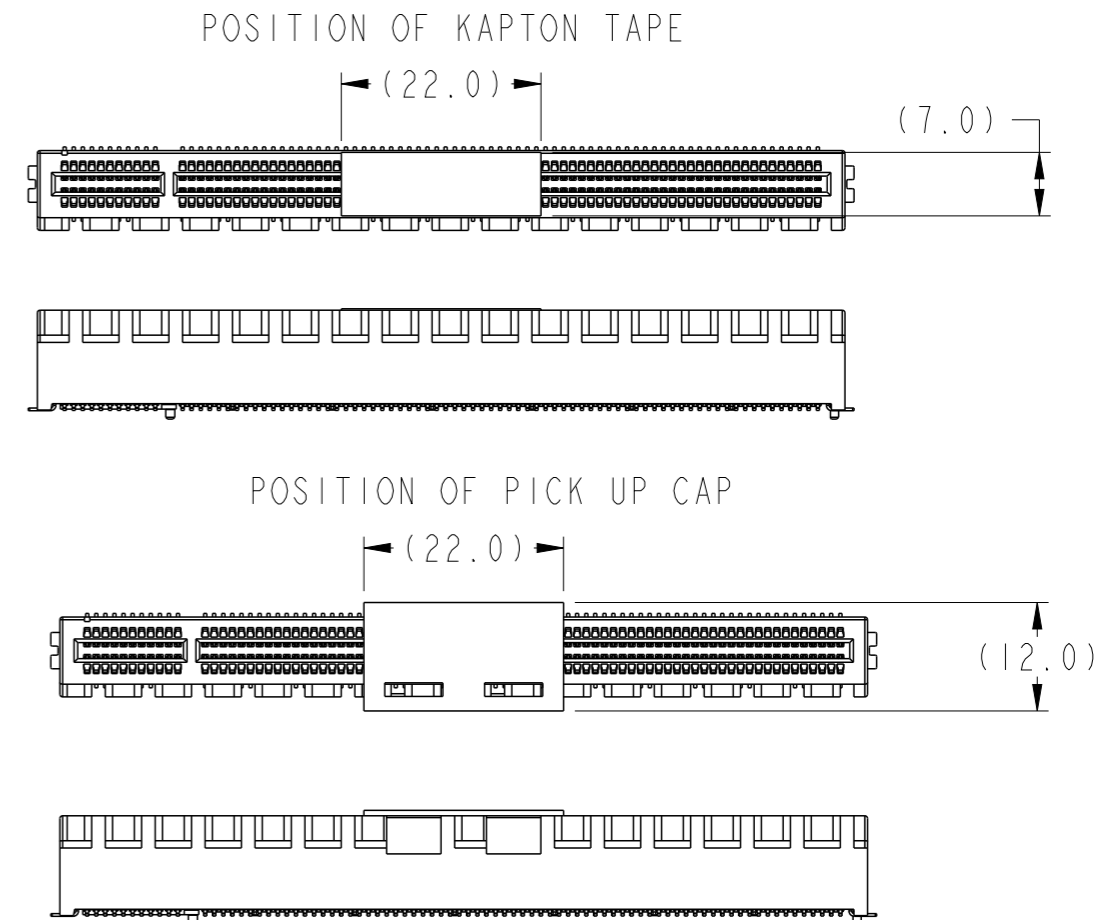
NO. OF POSITION

0: 36 POSITIONS
1: 64 POSITIONS
2: 98 POSITIONS
3: 164 POSITIONS



NOTES:

- MATERIAL:
HOUSING: HIGH PERFORMANCE RESINS, GLASS FILLED, UL94V-0
CONTACT: COPPER ALLOY.
HOLDDOWN CLIPS: COPPER ALLOY
- PLATING:
CONTACT: UNDERPLATE: 50u" NICKEL OVER ALL.
SOLDER AREA: 100u" TIN (LEAD FREE).
MATING AREA: SEE PRODUCT NUMBER CODE.
HOLDDOWN CLIP: 100u" TIN OVER 50 u" NICKEL.
- PRODUCT SPECIFICATION: GS-12-1406
- PRODUCT MEETS EUROPEAN UNION DIRECTIVES AND OTHER COUNTRY REGULATIONS AS DESCRIBED IN GS-22-008.
- DATE CODE "MMDDYYL", MMDDYY IS ASSEMBLY DATE.
" L" IS AFCI PRODUCTION SITE.
- THIS HOUSING WILL WITHSTAND EXPOSURE TO 260° PEAK TEMPERATURE FOR 10 SECONDS IN A CONVECTION, INFRA-RED OR VAPOR PHASE REFLOW OVEN.



DATA CODE & PARTNO

spec ref	-	dr	Cheong, Matthe	2018/01/10	projection	MM	size	A3	scale	2:1	
tolerance std	ISO 406 ISO 1101	eng	Cheong, Matthe	2018/05/22			ecn no	ELX-S-30246-1			
TOLERANCES UNLESS OTHERWISE SPECIFIED		chr	-	-			product family	PCI express	rel level	Released	
surface	linear	appr	Koon-Poh Tay	2018/05/25			dwg no	10144667		rev	B
ISO 1302	angular	Amphenol FCI www.fci.com		cat. no.	Product - Customer Drw		sheet 4 of 4				

X-ON Electronics

Largest Supplier of Electrical and Electronic Components

Click to view similar products for [PCI Express/PCI Connectors](#) category:

Click to view products by [Amphenol](#) manufacturer:

Other Similar products are found below :

[UEX220-6U](#) [0877159203](#) [10039755-10110TLF](#) [10039755-10211TLF](#) [10025026-10003PLF](#) [10125756-980000LF](#) [1-1871239-2](#) [2170560-2](#)
[10082378-11003TLF](#) [10125756-980000LF](#) [1775861-2](#) [10039755-10111TLF](#) [EB220-3U](#) [WD2M144WB2R300](#) [10061913-120PLF](#) [10108777-](#)
[10002WLF](#) [GPCP146400111HR](#) [10144667-112Y0LF](#) [10144667-113Y0LF](#) [205058-1001](#) [GPCP446200120HR](#) [GPCP245400111HR](#)
[10061913-102PLF](#) [10082378-10000TLF](#) [10082378-10001TLF](#) [87715-9256](#) [MDT580M03001](#) [0877159107](#) [205058-1003](#) [MDT580M01001](#)
[10018783-11000MLF](#) [10061913-103BLF](#) [10145445-10003MLF](#) [PSASF2130311TR](#) [10147430-113T0LF](#) [10146070-113Y0LF](#)
[MDT670M01005](#) [10108777-10200MLF](#) [MDT420M01002](#) [PSASF3130211TR](#) [PSASF4130051TR](#) [PSASM2130412TR](#) [PSASM2130391TR](#)
[10139595-111T0LF](#) [10139595-110T0LF](#) [PSASF3130131TR](#) [0745400501](#) [7-1734774-7](#) [10150900-052R2LF](#) [3-1761465-1](#)