

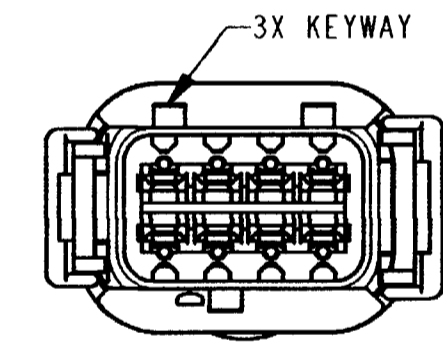
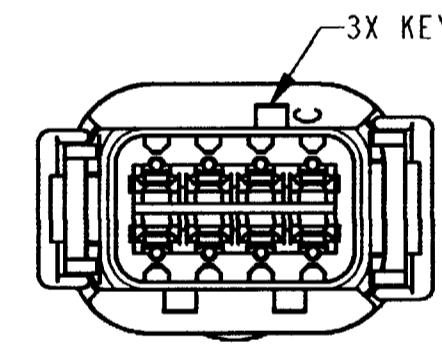
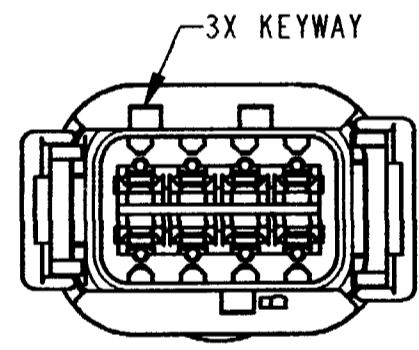
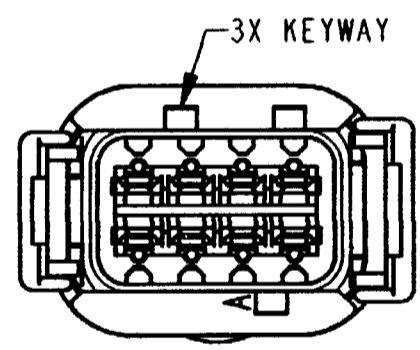
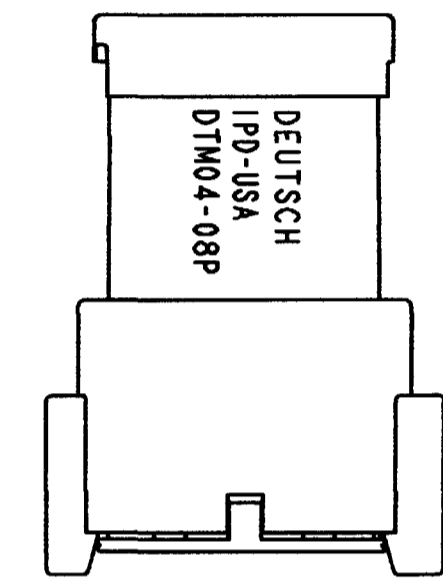
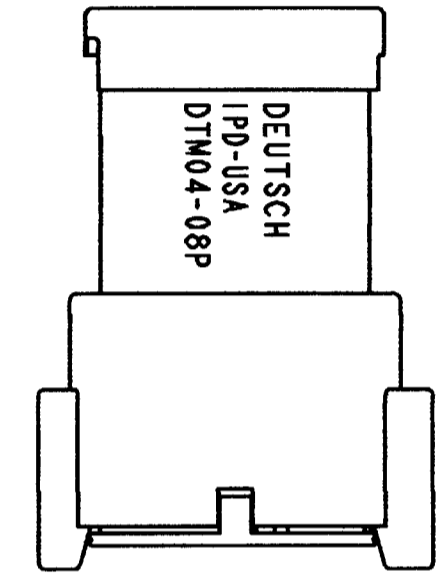
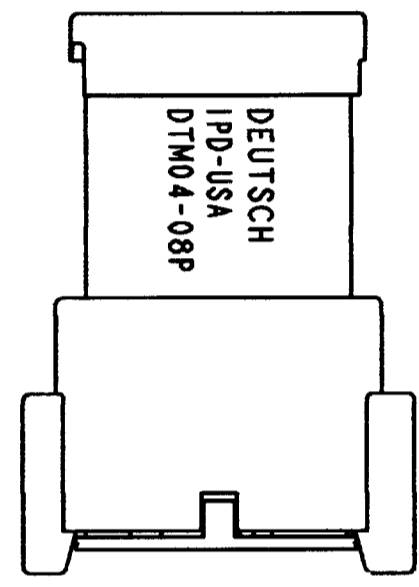
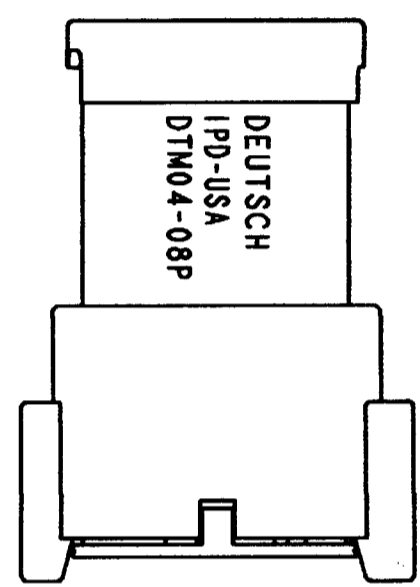
REV		REVISIONS			
B		SYM	DESCRIPTION	DATE	APPROVED
		NC	NEW RELEASE PER E.O. P17175	3-16-01	R.D.R.
		A	REVISED PER E.O. P19051	9-23-05	R.D.R.
		B	REVISED PER E.O. P19571	7-25-07	RDR

- △ 8 PART MODIFICATION.
7. SEE SHEET 2 FOR OTHER KEY ARRANGEMENTS.
  6. MATERIAL - HOUSING/END CAP: PLASTIC; GROMMET: RUBBER.
  5. THIS RECEPTACLE MATES WITH DTMO6-08S\*-\*\*\*\* PLUG. (\* = A,B,C,D KEYS; \*\*\*\* = ALL MODIFICATIONS)
  - △ 4 FOR CONTACT AND WIRE PERFORMANCE AND APPLICATION CHARACTERISTICS SEE ENVELOPE DRAWING 0425-015-0000.
  3. SECONDARY WEDGE LOCK SOLD SEPARATELY: WM-8P.
  2. DIMENSION TOLERANCE: ±.025 [.64].
  1. DIMENSIONS ARE IN INCHES [mm].
- NOTES: UNLESS OTHERWISE SPECIFIED

CONTACT SIZE	MIN. INSUL. O.D.	MAX. INSUL. O.D.	WIRE RANGE [mm <sup>2</sup> ] REF ONLY
20	.053 [1.35]	.120 [3.05]	16-20 AWG [1.0-0.5]

SIGNATURE & DATE		RECEPTACLE W/END CAP 8 CONTACTS, SIZE 20 A,B,C,D KEYS -E003 MOD DTM SERIES	EP		MATL. CODE
DR	D. MEYER 03/06/01		The Deutsch Company		DEUTSCH I.P.D. 3850 INDUSTRIAL AVE. HEMET, CALIF. 92545
CHK	<i>[Signature]</i> 7/25/07		B DTMO4-08P*-E003		DWG SIZE
PE	<i>[Signature]</i> 7/25/07				CODE
APPD	<i>[Signature]</i> 7/25/07	ENVELOPE			
SCALE	NONE				

REV B	DTM04-08P*-E003	REVISIONS			
		SYM	DESCRIPTION	DATE	APPROVED
		B	SEE SHEET 1	7-16-07	RDR



DTM04-08PA-E003  
KEY -A-  
COLOR: GREY

DTM04-08PB-E003  
KEY -B-  
COLOR: BLACK

DTM04-08PC-E003  
KEY -C-  
COLOR: GREEN

DTM04-08PD-E003  
KEY -D-  
COLOR: BROWN

NOTES:

SIGNATURE & DATE		RECEPTACLE W/END CAP 8 CONTACTS, SIZE 20 A, B, C, D KEYS -E003 MOD DTM SERIES	EP	MATL. CODE	
DR	D. MEYER 03/06/01		The Deutsch Company DEUTSCH I.P.D. 3850 INDUSTRIAL AVE. HEMET, CALIF. 92545		
CHK	<i>[Signature]</i> 7/16/07		B	DTM04-08P*-E003	
PE	<i>[Signature]</i> 7/10/07			DWG SIZE	CODE 11139
APPD	<i>[Signature]</i> 7/10/07	ENVELOPE			
SCALE	NONE				

## X-ON Electronics

Largest Supplier of Electrical and Electronic Components

*Click to view similar products for [Automotive Connectors](#) category:*

*Click to view products by [TE Connectivity](#) manufacturer:*

Other Similar products are found below :

[003-018-000](#) [600858](#) [60403001](#) [60993906-B](#) [60993913-B](#) [629515004020001](#) [M902-2131](#) [M902-2161](#) [M902-2344](#) [72.330.1035.1](#)  
[73.353.4028.0](#) [F118010](#) [F119300-B](#) [F132210](#) [F132210-B](#) [F166900](#) [F180100](#) [F258300](#) [F258300-B](#) [F294300-B](#) [F339100](#) [F339700](#) [F358300-](#)  
[B](#) [F374110](#) [F407400](#) [F412210](#) [F427600](#) [F444110](#) [F487000](#) [F495100-B](#) [F500900-B](#) [F509500B-B](#) [770444-1](#) [776880-1](#) [827153-1](#) [881735-1](#)  
[8N1515-32-24P](#) [9-1326727-8](#) [9-1326729-8](#) [925467-1](#) [925474-1](#) [928905-1](#) [936398-2](#) [964562-1](#) [964562-4](#) [964731-2](#) [965051-1](#) [968782-1](#)  
[GT17SA-8DS-HU](#) [GT17VS-10DP-5.2CF](#)