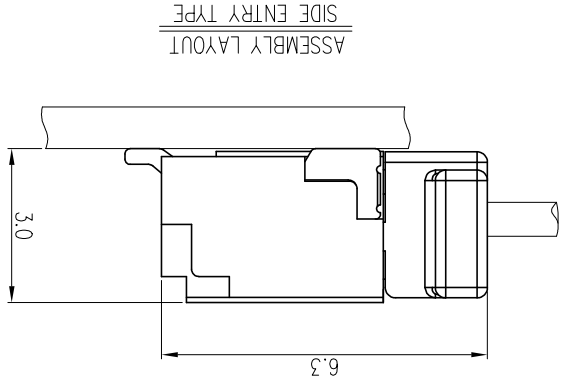
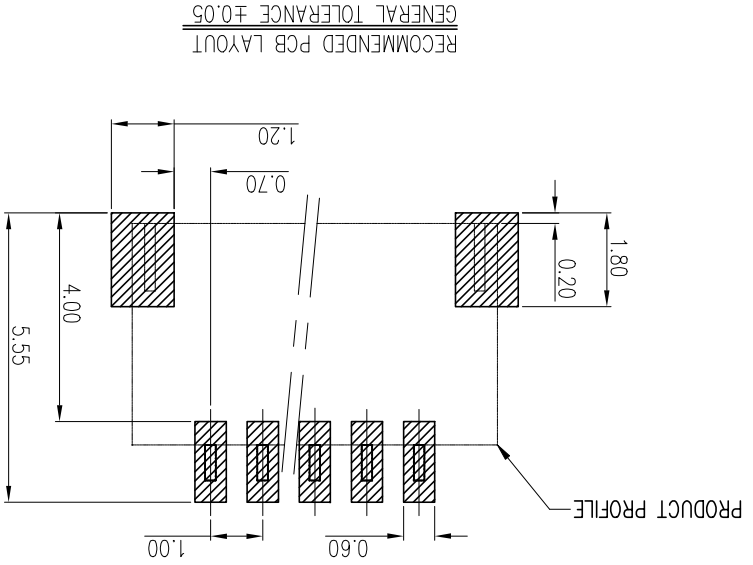


sheet	revision	A	A
index	sheet	1	2
appd	TIM YAO	2018-03-19	
chr	ZK HU	2018-03-19	
eng	TONY LENG	2018-03-19	
dr	TONY LENG	2018-03-19	
angles	linear	.00±.20	
	angles	.0±.30	
ltr	ecn no	dr	date
tolerances	tolerances unless otherwise specified		
mat'l. code	surface	ISO 1302	ISO 406 ISO 1101
projection	product family		
title	1.0mm Right Angle Header		
dwg no	10147606		
type	Product Customer Drawing		

11	10.00	11.50	13.00	12.30
10	9.00	10.50	12.00	11.30
9	8.00	9.50	11.00	10.30
8	7.00	8.50	10.00	9.30
7	6.00	7.50	9.00	8.30
6	5.00	6.50	8.00	7.30
5	4.00	5.50	7.00	6.30
4	3.00	4.50	6.00	5.30
3	2.00	3.50	5.00	4.30
2	1.00	2.50	4.00	3.30
POS A	10.00	11.50	13.00	12.30
POS B	9.00	10.50	12.00	11.30
POS C	8.00	9.50	11.00	10.30
POS D	7.00	8.50	10.00	9.30
A	6.00	7.50	9.00	8.30
B	5.00	6.50	8.00	7.30
C	4.00	5.50	7.00	6.30
D	3.00	4.50	6.00	5.30
11	10.00	11.50	13.00	12.30
10	9.00	10.50	12.00	11.30
9	8.00	9.50	11.00	10.30
8	7.00	8.50	10.00	9.30
7	6.00	7.50	9.00	8.30
6	5.00	6.50	8.00	7.30
5	4.00	5.50	7.00	6.30
4	3.00	4.50	6.00	5.30
3	2.00	3.50	5.00	4.30
2	1.00	2.50	4.00	3.30
POS A	10.00	11.50	13.00	12.30
POS B	9.00	10.50	12.00	11.30
POS C	8.00	9.50	11.00	10.30
POS D	7.00	8.50	10.00	9.30
A	6.00	7.50	9.00	8.30
B	5.00	6.50	8.00	7.30
C	4.00	5.50	7.00	6.30
D	3.00	4.50	6.00	5.30
11	10.00	11.50	13.00	12.30
10	9.00	10.50	12.00	11.30
9	8.00	9.50	11.00	10.30
8	7.00	8.50	10.00	9.30
7	6.00	7.50	9.00	8.30
6	5.00	6.50	8.00	7.30
5	4.00	5.50	7.00	6.30
4	3.00	4.50	6.00	5.30
3	2.00	3.50	5.00	4.30
2	1.00	2.50	4.00	3.30
POS A	10.00	11.50	13.00	12.30
POS B	9.00	10.50	12.00	11.30
POS C	8.00	9.50	11.00	10.30
POS D	7.00	8.50	10.00	9.30
A	6.00	7.50	9.00	8.30
B	5.00	6.50	8.00	7.30
C	4.00	5.50	7.00	6.30
D	3.00	4.50	6.00	5.30

DIMENSIONAL

- NOTES:
- MATERIAL SPECIFICATION
  - 1.1 INSULATION: PA9T UL 94V-0.
  - 1.2 CONTACT: THICK 0.20mm BRASS.
  - 1.3 SOLDER TAB: THICK 0.20mm BRASS.
  2. PLATING SPECIFICATION
  - 2.1 CONTACT: MATTE TIN/GOLD PLATED.
  - 2.2 SOLDER TAB: MATTE TIN PLATED.
  3. PRODUCT SPEC: GS-12-1465
  4. PACKAGING SPEC: GS-14-2613
  5. USE WITH AF CI HOUSING 10147603
  6. THIS HOUSING WILL WITHSTAND EXPOSURE TO 260°C PEAK TEMP FOR 10S IN A REFLOW OVEN.
  7. BILL OF PART NO: 10147606 - X X X X XX LF
  - MATERIAL
  - 0: PA9T NATURAL
  - PLATING
  - 0: MATTE TIN
  - 1: GOLD FLASH
  - LEAD FREE
  - TOTAL POSITIONS
  - 02 TO 20
  - PACKAGING
  - 0: TAPE&REEL



mat'l. code		ISO 1302	tolerance	projection	product family
ltr	ecn no	dr	date	tolerances unless otherwise specified	title
angles	linear	0±.30	mm	110°	1.0mm Right Angle Header
0±x°	0±.20	mm	mm	110°	1.0mm Right Angle Header
dr	TONY LENG	2018-03-19	scale 1:1	110°	1.0mm Right Angle Header
eng	TONY LENG	2018-03-19		110°	1.0mm Right Angle Header
chr	ZK HU	2018-03-19		110°	1.0mm Right Angle Header
appd	TIM YAO	2018-03-19		110°	1.0mm Right Angle Header
sheet	revision	A	A		
index	sheet	1	2		

6

5

4

3

2

1

C

C

B

B

A

A

6

5

4

2 3

1

## X-ON Electronics

Largest Supplier of Electrical and Electronic Components

*Click to view similar products for [Headers & Wire Housings](#) category:*

*Click to view products by [Amphenol](#) manufacturer:*

Other Similar products are found below :

[95000-104TRLF](#) [10135584-644402LF](#) [DF62W-EP2022PCA](#) [95000-106TRLF](#) [DF62W-2022SCA](#) [DF62W-EP2022PC](#) [2203348](#) [DF62W-2022SC](#) [1084018](#) [1029039](#) [1084017](#) [802-10-012-10-002000](#) [1112640](#) [1112639](#) [000-34000](#) [0009482033](#) [0009507031](#) [57102-S06-03LF](#) [57202-S52-04LF](#) [PCN6-15S-2.5E](#) [0039019024](#) [58102-G61-06LF](#) [582553-1](#) [0009485154](#) [0009508121](#) [0022285053](#) [0050291907](#) [018731A](#) [LY20-4P-DT1-P1E-BR](#) [02.125.8002.8](#) [60101931](#) [60598-1 \(Cut Strip\)](#) [M1625-3R/100](#) [61062-3](#) [61082-181009](#) [636-1427](#) [638009-1](#) [641938-9](#) [641991-4](#) [644168-1](#) [647662-1](#) [65039-019ELF](#) [65817-002LF](#) [65817-015LF](#) [65863-015LF](#) [66207-023LF](#) [67016-026LF](#) [67046-001LF](#) [67095-007LF](#) [67230-005LF](#)