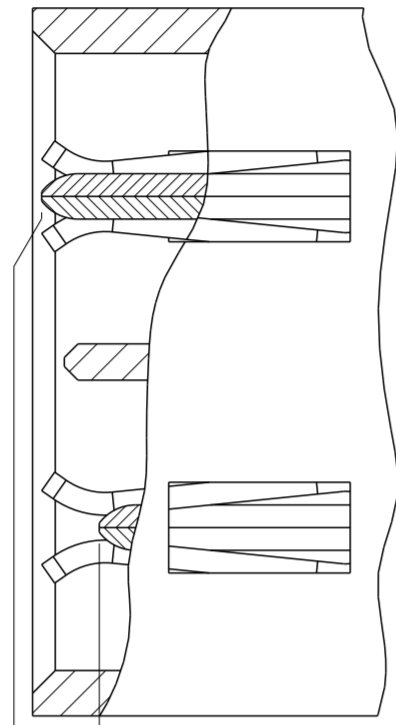
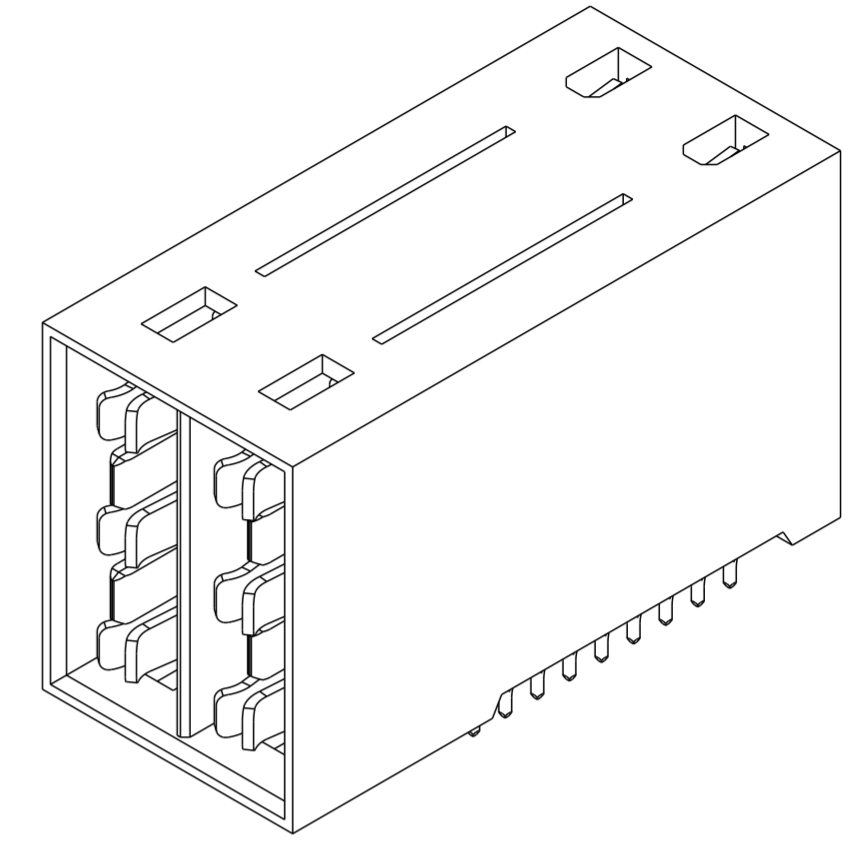
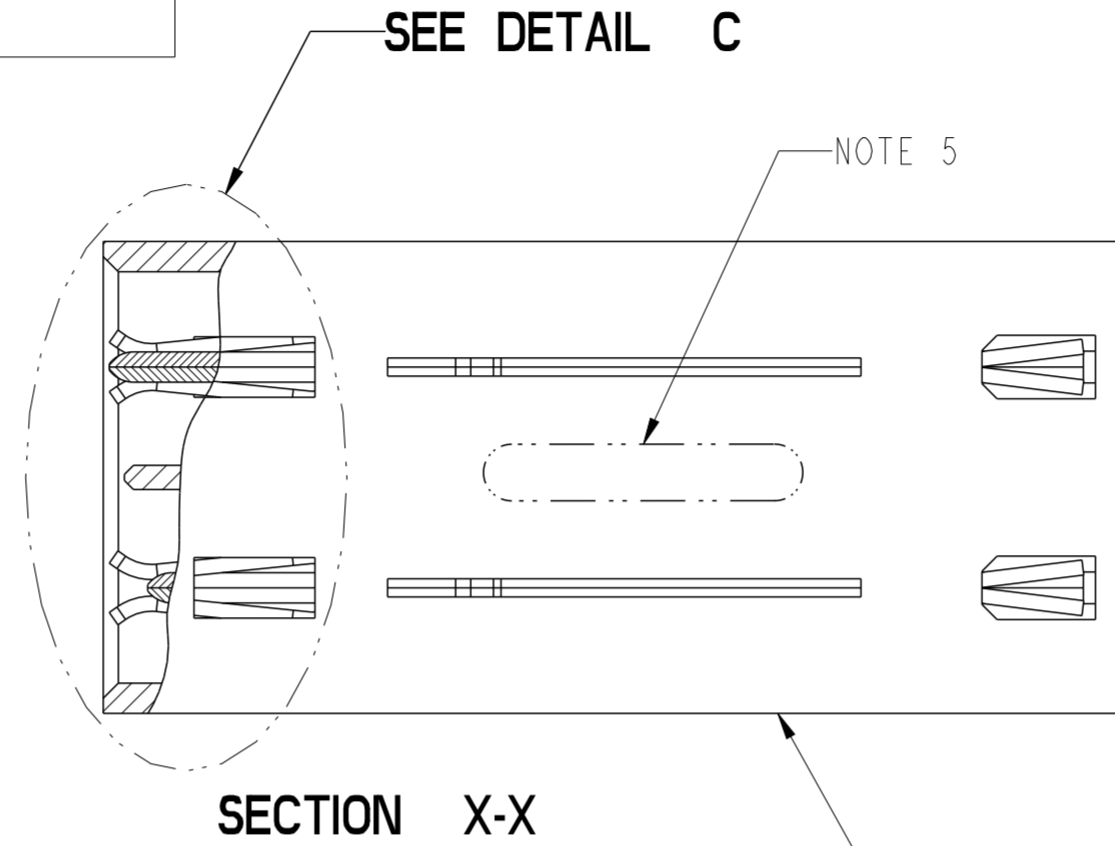


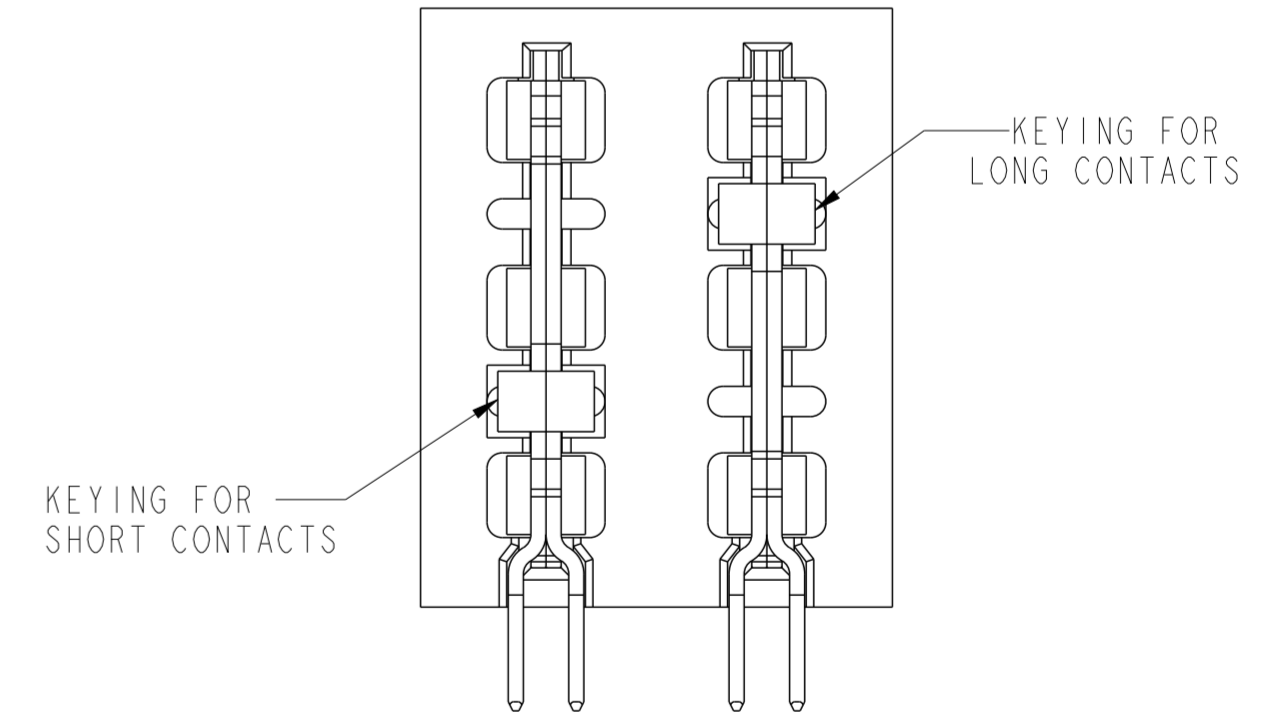
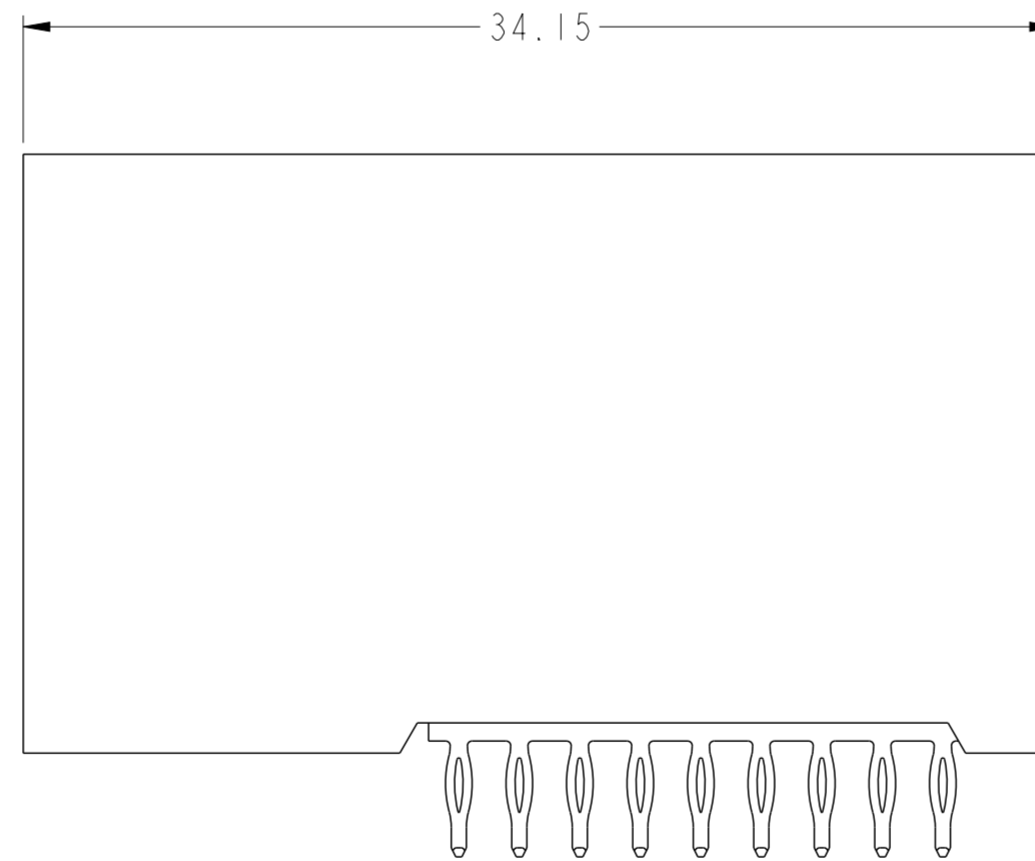
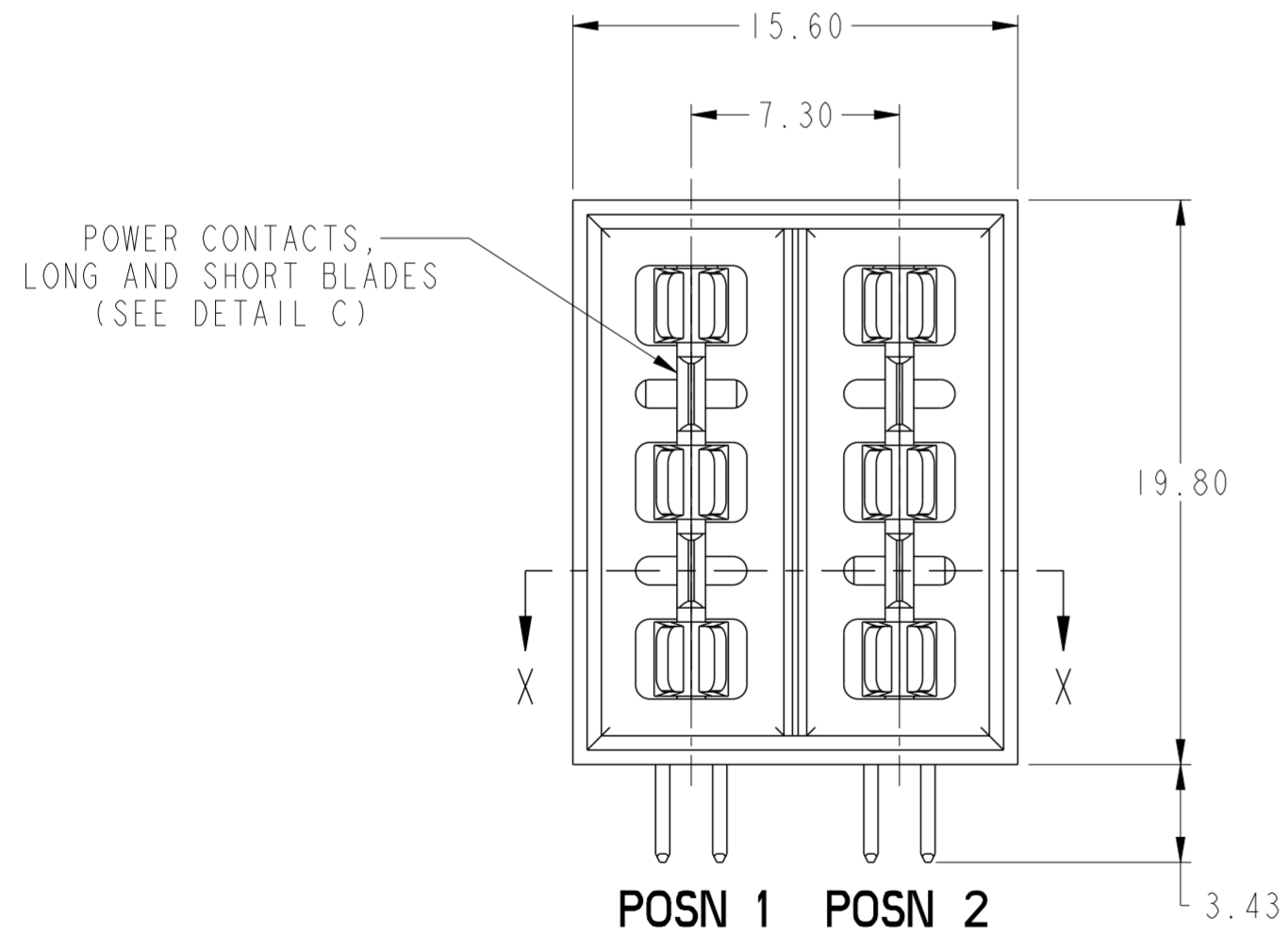
PART NUMBER	FIRST MATE (LONG) CONTACT POSN	SECOND MATE (SHORT) CONTACT POSN	TAIL TYPE	HALOGEN OPTION
10078770-001LF	NONE	POSN 1 & 2	PRESS-FIT	HALOGEN
10078770-002LF	POSN 1	POSN 2		
10078770-003LF	POSN 1 & 2	NONE		
10078770-001LHLF	NONE	POSN 1 & 2		LOW HALOGEN
10078770-002LHLF	POSN 1	POSN 2		
10078770-003LHLF	POSN 1 & 2	NONE		



DETAIL C
SCALE 6:1
POWER MATING SEQUENCE (SEE TABLE)



1.27
CONTACT SEQUENCING



10078770-002LF SHOWN

spec ref	*	dr	NotFound DuWa	2010/04/29	projection	MM	size	A2	scale	4:1
tolerance std	ISO 406 ISO 1101	eng	De-Ming Lu	2017/01/10			ecn no	ELX-DG-25746-1	rel level	Released
TOLERANCES UNLESS OTHERWISE SPECIFIED		chr	Fancy Zhang	2017/01/10						
surface	linear	0.X	±0.5		ASSEMBLY, HEADER, R/A		dwg no 10078770	rev E		
		0.XX	±0.25		2 POSN ISOLATED POWER CONTACT					
	angular	0°	±2°		cat. no.	Product - Customer Drw			sheet 1 of 2	

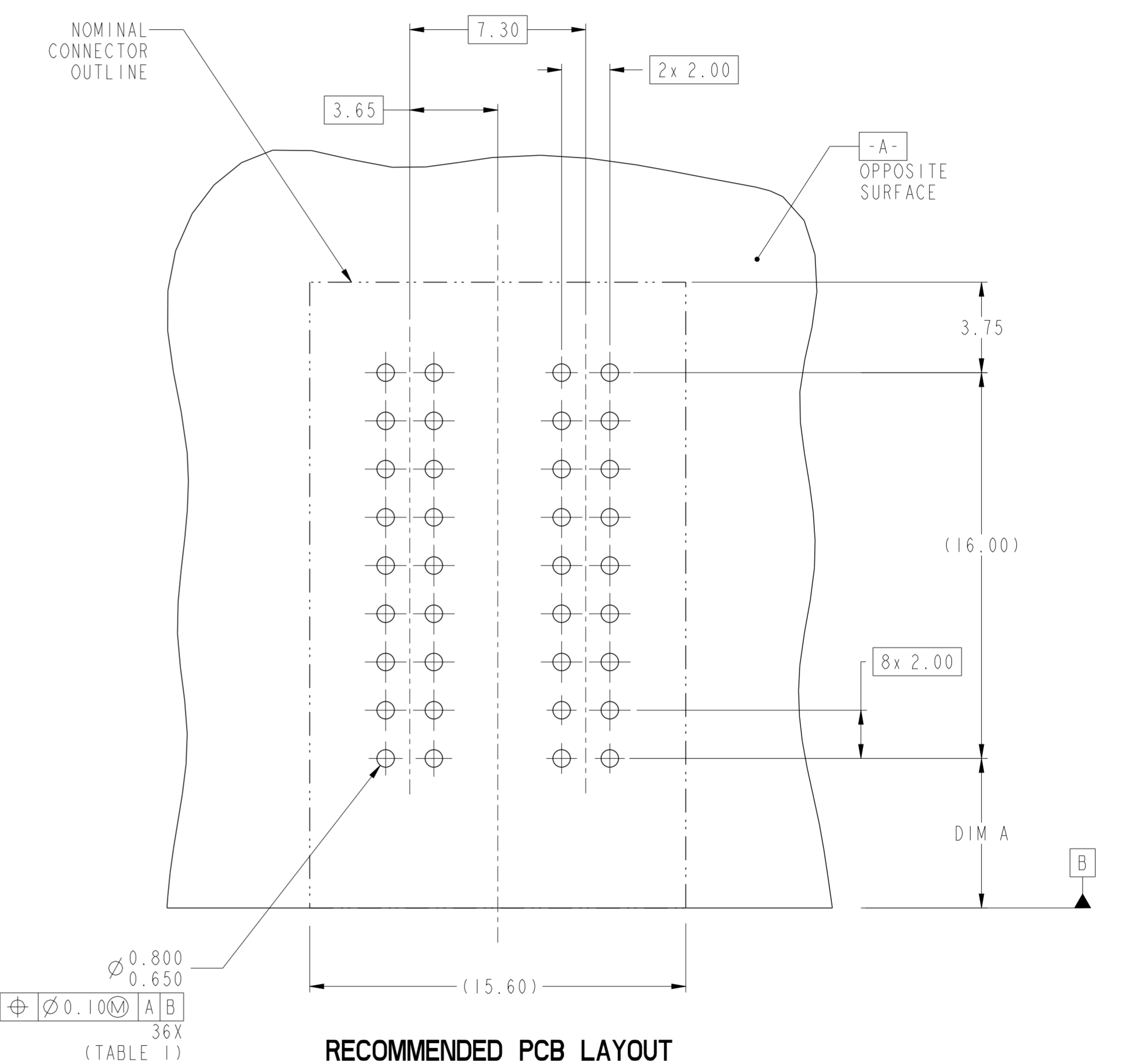
PDS: Rev :E

STATUS:Released

Printed: Jan 11, 2017

TOP LAYER DESCRIPTION	TABLE 1 (HCI POWER) PLATED THROUGH-HOLE REQUIREMENTS							
	DRILLED HOLE DIAMETER	COPPER THICKNESS	TIN-LEAD THICKNESS	NICKEL THICKNESS	GOLD THICKNESS	TIN THICKNESS	SILVER THICKNESS	FINISHED HOLE DIAMETER
TIN-LEAD	0.81-0.86 (0.85 DRILL)	0.025 - 0.050	0.005 - 0.015	--	--	--	--	0.65 - 0.80
IMMERSION TIN	0.81-0.86 (0.85 DRILL)	0.025 - 0.050	--	--	--	0.9 - 1.5um	--	0.70 - 0.80
IMMERSION SILVER	0.81-0.86 (0.85 DRILL)	0.025 - 0.050	--	--	--	--	0.15 - 0.65um	0.70 - 0.80
COPPER (SEE NOTE 9)	0.81-0.86 (0.85 DRILL)	0.025 - 0.050	--	--	--	--	--	0.70 - 0.80
GOLD	0.81-0.86 (0.85 DRILL)	0.025 - 0.050	--	0.003 - 0.007	FLASH UP TO 0.0002	--	--	0.69 - 0.80

- NOTES:
- CONNECTOR MATERIALS:
HOUSING: HIGH TEMPERATURE THERMOPLASTIC, BLACK
UL 94V-0 COMPLIANT
CONTACTS: HIGH PERFORMANCE COPPER ALLOY
 - CONTACT FINISH (Ref. GS-12-380 SECTION 5.2)
 - PRODUCT SPECIFICATION: GS-12-380.
 - APPLICATION SPECIFICATION: GS-20-070.
 - PRODUCT MARKING (PRODUCT NUMBER & DATE CODE) ON HOUSING IN AREA SHOWN.
 - MINIMUM NOMINAL PCB THICKNESS: 1.6mm
 - PACKAGING MEETS FCI SPECIFICATION GS-14-1194
 - HOUSING COMPONENT WILL WITHSTAND EXPOSURE TO 260°C PEAK TEMPERATURE FOR 10 SECONDS IN A CONVECTION, INFRA-RED, OR VAPOR PHASE REFLOW OVEN.
 - COPPER PLATING THICKNESS IN CENTER OF VIA-HOLE CAN BE NO MORE THAN 0.003 LESS THAN OTHER AREAS.
 - ALL HOLE SIZES ARE FINISHED HOLE SIZES UNLESS OTHERWISE NOTED.



**RECOMMENDED PCB LAYOUT
COMPONENT SIDE
NOTE 6**

DIM A	DISTANCE FROM BOARD TO BOARD AT FULLY MATED POSITION (NOMINAL)	PRODUCT LINE APPLICATION
8.70 mm	10.0 mm	Metral High Speed
6.20 mm	12.5 mm (H.M.)	Airmax VS,Zipline
2.20 mm	16.5 mm	XCede

spec ref	*	dr	NotFound DuWa	2010/04/29	projection	MM	size	A2	scale	6:1
tolerance std	ISO 406 ISO 1101	eng	De-Ming Lu	2017/01/10			ecn no	ELX-DG-25746-1	rel level	Released
TOLERANCES UNLESS OTHERWISE SPECIFIED		chr	Fancy Zhang	2017/01/10			product family	-		
surface	linear	0.X	±0.5	Amphenol FCI	ASSEMBLY, HEADER, R/A		dwg no	10078770	rev	E
		0.XX	±0.25		2 POSN ISOLATED POWER CONTACT		cat. no.	-	Product - Customer Drw	sheet 2 of 2
	angular	0°	±2°							

Amphenol FCI

© 2016 APCI

X-ON Electronics

Largest Supplier of Electrical and Electronic Components

Click to view similar products for [Power to the Board](#) category:

Click to view products by [Amphenol](#) manufacturer:

Other Similar products are found below :

[10131318-08512GRLF](#) [6450171-4](#) [6450552-7](#) [6600323-8](#) [6643429-1](#) [6646040-2](#) [6651939-1](#) [6766604-1](#) [120959-1](#) [1393557-2](#) [1393532-2](#)
[1393532-3](#) [1393532-4](#) [1393557-1](#) [1600812-5](#) [1-6450861-2](#) [1645595-1](#) [1743490-1](#) [1744132-7](#) [1761122-1](#) [1766169-1](#) [1766250-1](#) [18362](#)
[1892109-1](#) [1-967627-6](#) [2226808-1](#) [2-6450860-5](#) [2-6450860-6](#) [2-6450870-0](#) [93003-0502](#) [953552-1](#) [1-6450161-4](#) [1-6450850-6](#) [1645526-2](#) [1-](#)
[6600130-0](#) [1743419-1](#) [1766150-1](#) [2005243-2](#) [211110-1](#) [2-6600130-2](#) [TE34-12-16P-F0](#) [51700-10201602AALF](#) [5-6450830-6](#) [5646956-4](#)
[36662-0005](#) [40585-3000](#) [4-6450830-9](#) [4-6600333-3](#) [51142-0214](#) [10125416-4050LF](#)