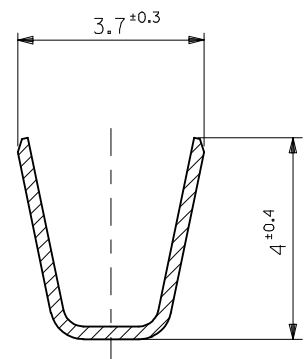


SECT.A-A



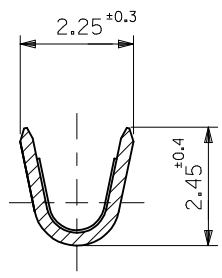
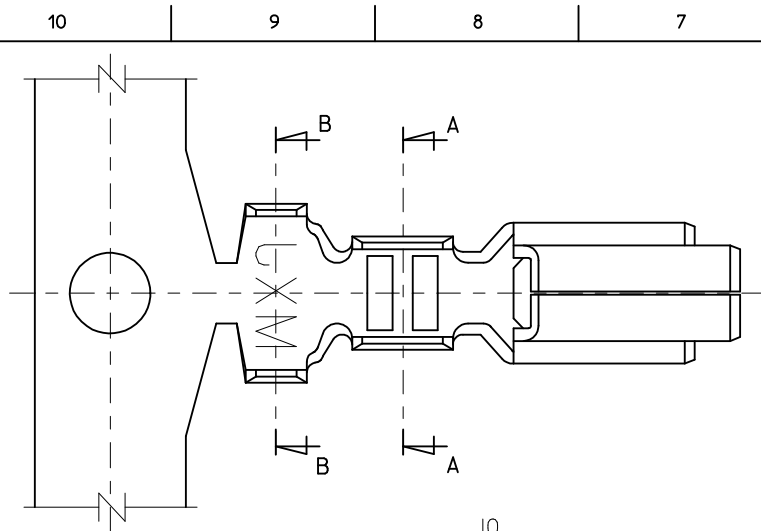
SECT.B-B

注記 NOTES

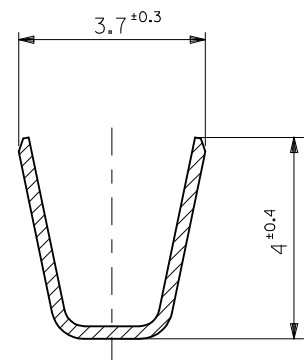
1. 適合ハウジング：51144-***00
 APPLICABLE HOUSING : 51144-***00

リン青銅，錫メッキ PHOS. BRO. PRE-TINNED (t=0.254)	50539-8100	バラ状 LOOSE
	50539-8000	連鎖状 CHAIN
黄銅，錫メッキ BRASS PRE-TINNED (t=0.254)	50539-9001	連鎖状 CHAIN
材 料 MATERIAL	MATERIAL NO.	端子形状 FORM
MODEL NO. 50539-****		

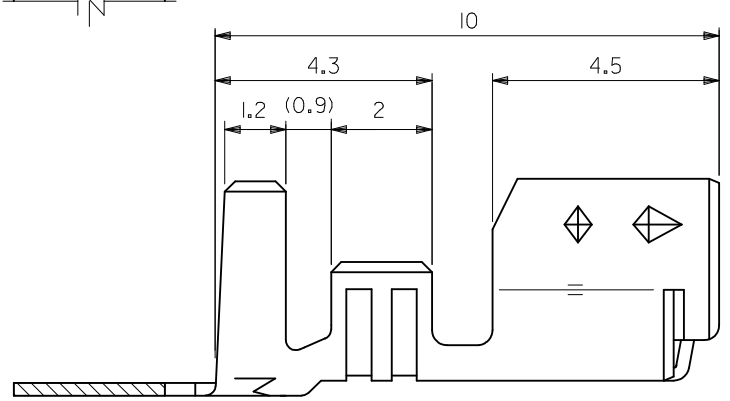
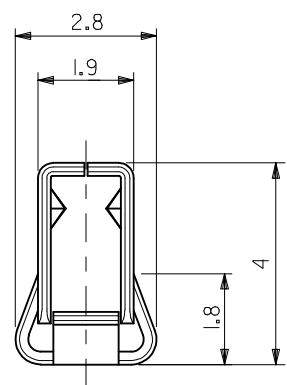
REVISED EC NO: J2009-1311 DRWN: KAKURAA 2008/12/16 CHKD: T. HARUYAMA 2008/12/16 APPR: NUKITA 2009/01/16	GENERAL TOLERANCES (UNLESS SPECIFIED)		DIMENSION STYLE MM ONLY		SCALE ---	DESIGN UNITS METRIC	THIRD ANGLE PROJECTION		
	10 UNDER	± 0.2	DRAWN BY TNIITSU	DATE '94/11/7	TITLE 3.96 WIRE TO BOARD CONN CRIMP RECEPTACLE				
	10 OVER 30 UNDER	± 0.25	CHECKED BY SKUNISHI	DATE '95/07/28	MOLEX INCORPORATED				
	30 OVER	± 0.3	APPROVED BY MFUKUSHIMA	DATE '95/07/28	DOCUMENT NO. SD-50539-001	SHEET NO. 1 OF 1			
	ANGULAR ± 3 °	DRAFT WHERE APPLICABLE MUST REMAIN WITHIN DIMENSIONS		THIS DRAWING CONTAINS INFORMATION THAT IS PROPRIETARY TO MOLEX INCORPORATED AND SHOULD NOT BE USED WITHOUT WRITTEN PERMISSION					
REV	DESCRIPTION	SIZE A3							



SECT.A-A



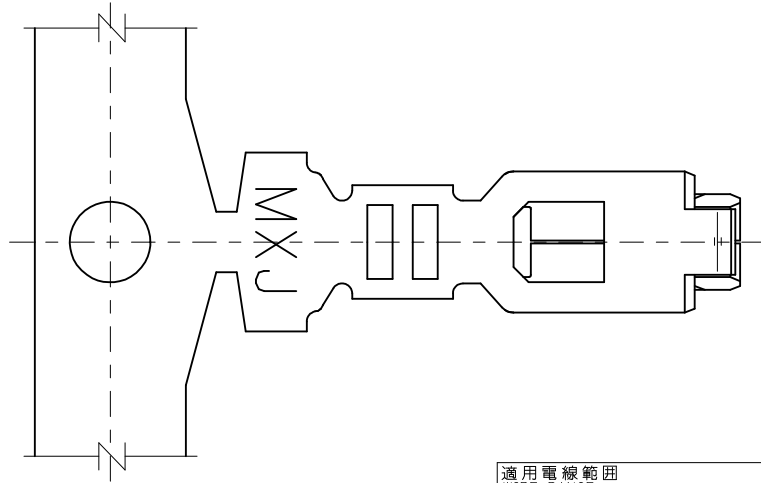
SECT.B-B



注記 NOTES

1. 適合ハウジング : 51129-***00
51144-***00
APPLICABLE HOUSING : 51129-***00
51144-***00

リン青銅, 錫メッキ PHOS. BRO. PRE-TINNED (t=0.254)	50539-8100	バラ状 LOOSE
	50539-8000	連鎖状 CHAIN
黄銅, 錫メッキ BRASS PRE-TINNED (t=0.254)	50539-9001	連鎖状 CHAIN
材 料 MATERIAL	MATERIAL NO.	端子形状 FORM
	MODEL NO.	50539-****



適用電線範囲
WIRE RANGE AWG#18 ~ #24
被覆外径
INS. RANGE φ 1.4 ~ φ 3.0

REVISED EC NO: J2009-1311 DRWN:NAKAMURA 2008/12/16 CHKD:T. HARUYAMA 2008/12/16 APPR:NUKITA 2009/01/16 REV B	GENERAL TOLERANCES (UNLESS SPECIFIED)		DIMENSION STYLE MM ONLY		SCALE ---	DESIGN UNITS METRIC	THIRD ANGLE PROJECTION
	10 UNDER	±0.2	DRAWN BY T.NIITSU	DATE '94/11/17	TITLE 3.96 W/B CONN CRIMP REC		
	10 OVER 30 UNDER	±0.25	CHECKED BY K.T	DATE '95/7/28	APPROVED BY S.FUKUSHIMA '95/7/28		
	30 OVER	±0.30	APPROVED BY S.FUKUSHIMA '95/7/28		MATERIAL NO. SEE TABLE		
ANGULAR ±3 °		DRAFT WHERE APPLICABLE MUST REMAIN WITHIN DIMENSIONS		SIZE A3	DOCUMENT NO. SD-50539-002		SHEET NO. 1 OF 1
THIS DRAWING CONTAINS INFORMATION THAT IS PROPRIETARY TO MOLEX INCORPORATED AND SHOULD NOT BE USED WITHOUT WRITTEN PERMISSION							

X-ON Electronics

Largest Supplier of Electrical and Electronic Components

Click to view similar products for [Headers & Wire Housings](#) category:

Click to view products by [Molex](#) manufacturer:

Other Similar products are found below :

[95000-104TRLF](#) [10135584-644402LF](#) [DF62W-EP2022PCA](#) [95000-106TRLF](#) [DF62W-2022SCA](#) [DF62W-EP2022PC](#) [2203348](#) [DF62W-2022SC](#) [1084018](#) [1029039](#) [1084017](#) [802-10-012-10-002000](#) [1112640](#) [1112639](#) [000-34000](#) [0009482033](#) [0009507031](#) [57102-S06-03LF](#) [57202-S52-04LF](#) [PCN6-15S-2.5E](#) [0039019024](#) [58102-G61-06LF](#) [582553-1](#) [0009485154](#) [0009508121](#) [0022285053](#) [0050291907](#) [018731A](#) [LY20-4P-DT1-P1E-BR](#) [02.125.8002.8](#) [60101931](#) [60598-1 \(Cut Strip\)](#) [M1625-3R/100](#) [61062-3](#) [61082-181009](#) [636-1427](#) [638009-1](#) [641938-9](#) [641991-4](#) [644168-1](#) [647662-1](#) [65039-019ELF](#) [65817-002LF](#) [65817-015LF](#) [65863-015LF](#) [66207-023LF](#) [67016-026LF](#) [67046-001LF](#) [67095-007LF](#) [67230-005LF](#)