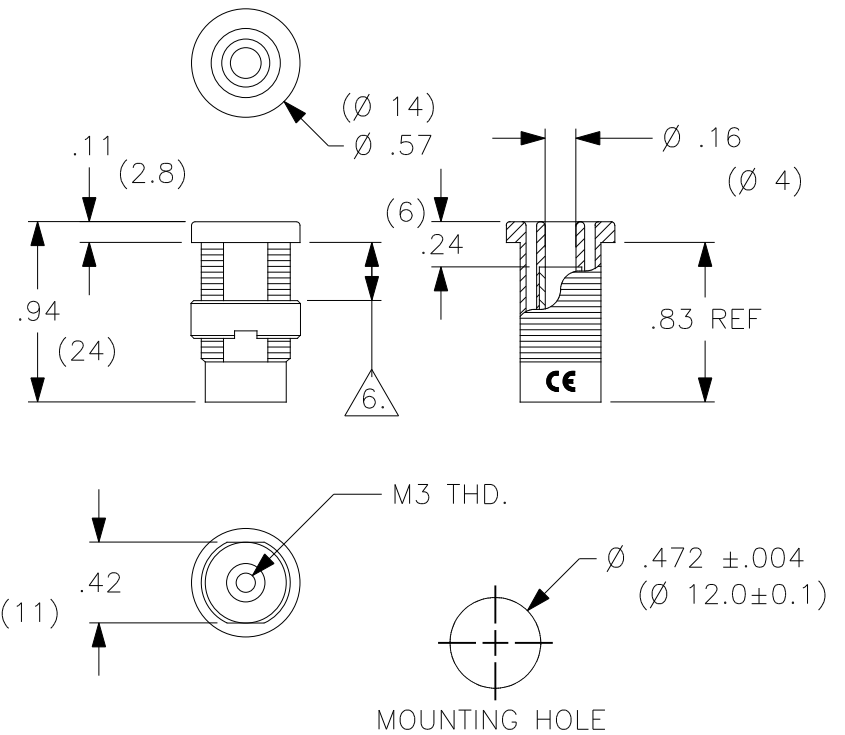


THIS IS ISSUED IN STRICT CONFIDENCE THAT IT IS NOT USED AS A BASIS FOR MANUFACTURE OR SALE AND THAT IT IS NOT COPIED, REPRINTED OR DISCLOSED TO A THIRD PARTY EITHER WHOLLY OR IN PART WITHOUT THE PRIOR WRITTEN CONSENT OF CAL TEST ELECTRONICS, INC.

1. 4mm SAFETY BANANA JACK w/M3 THREADED HOLE.
2. SPECIFICATIONS:  
INSULATOR: POLYAMIDE (NYLON).  
CONTACT: BRASS, NICKEL PLATED  
LOCKING NUT: BRASS, NICKEL PLATED
3. RATING:  
VOLTAGE: 1,000 V CAT III/600 V CAT IV P2 (IEC61010-031)  
  
CURRENT: 36 A MAX.  
RESISTANCE: <12 mΩ.  
TEMPERATURE: -20° C TO +80° C.
4. MOUNTING HOLE: REF. DIAGRAM.
5. INSULATOR THREAD, M12x0.75, MAX. TORQUE 1.7 ft-lb (2.3 Nm) AT 20° C.
6. MAXIMUM PANEL THICKNESS: .40 (10).
7. RECOMMENDED ASSEMBLY TOOL: CT2246A.

REVISIONS			
REV.	DESCRIPTIONS	DATE	APPROVED
—	CLASS A RELEASED	7/12/99	
A	ADDED CAGE CODE	6/10/05	
B	COLOR ORANGE ADDED AS SPECIAL; REVISED NOTE 5 WITH NUT TORQUE SPECIFICATION.	6/2/09	



**PART NUMBER**

**CT2908-#**

- COLOR:
- 0 — BLACK
  - 1 — BROWN
  - 2 — RED
  - 3 — ORANGE (SPECIAL)
  - 4 — YELLOW
  - 5 — GREEN
  - 6 — BLUE
  - 7 — PURPLE
  - 8 — GRAY
  - 9 — WHITE

CONFORMITY TO RoHS 2002/95/EC

THIRD ANGLE PROJECTION		UNLESS OTHERWISE SPECIFIED DIMENSIONS ARE IN INCHES TOLERANCES ARE: FRACTIONS DECIMALS ± 1/32 .XX ± .02 .XXX ± .005 DO NOT SCALE DRAWING		CONTRACT NO.		<b>Cal Test Electronics</b> 22820 Savi Ranch Parkway Yorba Linda, CA 92887-4610							
		MATERIAL		APPROVALS		DATE		TITLE					
				DRAWN WDH		7/12/99		4mm SAFETY JACK, PANEL w/M3 THREADED HOLE					
NEXT ASSY		FINISH		ENGR.		SIZE		CAGE CODE		DWG. NO.		REV.	
				DESIGN ACTIVITY		A		43F45		P290800		B	
APPLICATION						SCALE 1:1				SHEET 1 OF 1			

## X-ON Electronics

Largest Supplier of Electrical and Electronic Components

*Click to view similar products for [Test Plugs & Test Jacks](#) category:*

*Click to view products by [Cal Test](#) manufacturer:*

Other Similar products are found below :

[579-0400](#) [66000-7](#) [R644543000](#) [R921923000](#) [R921930000](#) [R941344000](#) [R948161000](#) [R999351000](#) [1408-4](#) [1533-1](#) [174-R825B-EX](#)  
[NYS508-BU](#) [1680](#) [174-R819B-EX](#) [R644543003](#) [R644543004](#) [R644543020](#) [R644543021](#) [R921926000](#) [R921931000](#) [R921932000](#)  
[R921934000](#) [R929991000](#) [R941460000](#) [R941461000](#) [R941463600](#) [R941920600](#) [R948160000](#) [31B-2-RED](#) [032-0016-023](#) [105-1106-001](#)  
[108-1000-106](#) [108-2301-621](#) [66001-9](#) [7013](#) [1395080-1](#) [930166100](#) [NYS508-W](#) [NYS508-Y](#) [NYS511-R](#) [BP30-2BR10-B PKG](#) [BP30-10-WT](#)  
[BP30-2BR-B PKG](#) [BP30Y-1 PKG](#) [R941049000](#) [R941340000](#) [R948141029](#) [R921922000](#) [R644543022](#) [R948142000](#)