

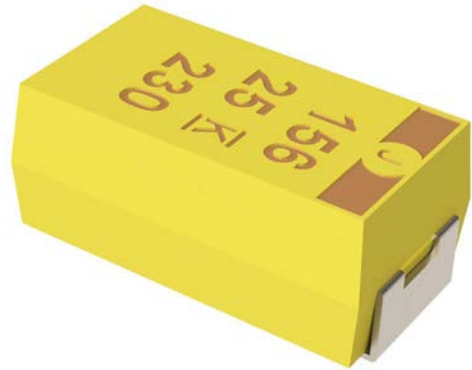
Overview

The KEMET T492 is approved to MIL-PRF-55365/8 (CWR11) with Weibull failure rates of B level (0.1% failures per 1,000 hours), C level (0.01% failures per 1,000 hours), D level (0.001% failures per 1,000 hours), or T level (0.01% failures per 1,000 hours), Option C surge current, DPA, radiographic inspection, 100% visual inspection, DCL and

ESR measurements within +3 standard deviations, and Group C inspection). This CWR11 product is a precision-molded device with compliant terminations and indelible laser marking. This is the military version of the global IEC/EIA standard, represented by KEMET's T491. Tape-and-reeling per EIA 481 are standard.

Benefits

- Established reliability options
- Taped and reeled per EIA 481
- Symmetrical, compliant terminations
- Laser-marked case
- 100% surge current test available on all case sizes
- Qualified to MIL-PRF-55365/8 (CWR11 Style)
- Termination options B, C, H, and K
- Weibull failure options B, C, D, and T
- Exponential failure rates M, P, R, and S
- Voltage rating of 4 – 50 VDC
- Operating temperature range of -55°C to +125°C



Applications

Typical applications include decoupling and filtering in military and aerospace applications requiring CWR11 devices.

Environmental Compliance

RoHS Compliant (6/6) according to Directive 2002/95/EC when ordered with 100% Sn solder.

K-SIM

For a detailed analysis of specific part numbers, please visit ksim.kemet.com to access KEMET's K-SIM software. KEMET K-SIM is designed to simulate behavior of components with respect to frequency, ambient temperature, and DC bias levels.

KEMET Ordering Information

| T | 492 | D | 156 | K | 020 | A | C | 4251 | |
|-----------------|----------------------------------|------------------|--|---------------------------------|--|---|---|--|--|
| Capacitor Class | Series | Case Size | Capacitance Code (pF) | Capacitance Tolerance | Rated Voltage (VDC) | Failure Rate/ Design | Termination Finish | Surge (C-Spec) | Packaging (C-Spec) |
| T = Tantalum | CWR11 Established reliability | A B C D | First two digits represent significant figures. Third digit specifies number of zeros. | J = ±5% K = ±10% M = ±20% | 004 = 4 006 = 6.3 010 = 10 015 = 15 020 = 20 025 = 25 035 = 35 050 = 50 | Weibull A = non-ER B = (0.1%/1,000 hours) C = (0.01%/1,000 hours) D = (0.001%/1,000 hours) T = (0.01%/1,000 hours) Exponential M = (1.0%/1,000 hours) P = (0.1%/1,000 hours) R = (0.01%/1,000 hours) S = (0.001%/1,000 hours) | C = Hot solder dipped H = Standard solder-coated (SnPb 5% Pb minimum) B = Gold-plated K = Solder fused | 4250 = 25°C after Weibull 4251 = -55°C and 85°C after Weibull 4252 = -55°C and 85°C before Weibull TLVL = Weibull grade level "T" | Blank = 7" Reel 7280 = 13" Reel 7610 = Bulk bag 7640 = Bulk plastic box WAFL = Waffle pack |

Ordering Information – Defense MIL-PRF-55365/8

| CWR11 | M | H | 105 | K | B | A |
|---------------------|--|---|--|---------------------------------|--|--|
| Capacitor Style | Rated Voltage (VDC) | Termination Finish | Capacitance Code (pF) | Capacitance Tolerance | Reliability Level | Surge Current Option |
| Per MIL-PRF-55365/8 | C = 4 D = 6 F = 10 H = 15 J = 20 K = 25 M = 35 N = 50 | B = Gold-plated C = Hot solder dipped H = Solder plated K = Solder fused | First two digits represent significant figures. Third digit specifies number of zeros. | J = ±5% K = ±10% M = ±20% | Weibull A = non-ER B = (0.1%/1,000 hours) C = (0.01%/1,000 hours) D = (0.001%/1,000 hours) T = T Level* (0.01%/1,000 hours) Exponential M = (1.0%/1,000 hours) P = (0.1%/1,000 hours) R = (0.01%/1,000 hours) S = (0.001%/1,000 hours) | A = +25°C after Weibull B = -55°C +85°C after Weibull C = -55°C +85°C before Weibull Blank = None |

* When T Level is ordered, no Surge Current Option is needed

Performance Characteristics

| Item | Performance Characteristics |
|-------------------------|--|
| Operating Temperature | -55°C to 125°C |
| Rated Capacitance Range | 0.1 – 100 µF at 120 Hz/25°C |
| Capacitance Tolerance | J Tolerance (5%), K Tolerance (10%), M Tolerance (20%) |
| Rated Voltage Range | 4 – 50 V |
| DF (120 Hz) | Refer to Part Number Electrical Specification Table |
| ESR (100 kHz) | Refer to Part Number Electrical Specification Table |
| Leakage Current | ≤ 0.01 CV (µA) at rated voltage after 5 minutes |

Qualification

| Test | Condition | Characteristics | | | | |
|--|---|-----------------|------------------------------|-------|----------|----------|
| Endurance | 85°C at rated voltage, 2,000 hours 125°C at 2/3 rated voltage, 2,000 hours | Δ C/C | Within ±10% of initial value | | | |
| | | DF | Within initial limits | | | |
| | | DCL | Within 1.25 x initial limit | | | |
| | | ESR | Within initial limits | | | |
| Storage Life | 125°C at 0 volts, 2,000 hours | Δ C/C | Within ±10% of initial value | | | |
| | | DF | Within initial limits | | | |
| | | DCL | Within 1.25 x initial limit | | | |
| | | ESR | Within initial limits | | | |
| Thermal Shock | MIL-STD-202, Method 107, Condition B, mounted, -55°C to 125°C, 1,000 cycles | Δ C/C | Within ±5% of initial value | | | |
| | | DF | Within initial limits | | | |
| | | DCL | Within 1.25 x initial limit | | | |
| | | ESR | Within initial limits | | | |
| Temperature Stability | Extreme temperature exposure at a succession of continuous steps at -55°C, +25°C, +85°C, +125°C | +25°C | -55°C | +85°C | +125°C | |
| | | Δ C/C | IL* | ±10% | ±10% | ±15% |
| | | DF | IL | IL | 1.5 x IL | 1.5 x IL |
| | | DCL | IL | n/a | 10 x IL | 12 x IL |
| Surge Voltage | 25°C and 85°C, 1.32 x rated voltage 1,000 cycles (125°C, 1.2 x rated voltage) | Δ C/C | Within ±5% of initial value | | | |
| | | DF | Within initial limits | | | |
| | | DCL | Within initial limits | | | |
| | | ESR | Within initial limits | | | |
| Mechanical Shock/ Vibration | MIL-STD-202, Method 213, Condition I, 100 G peak MIL-STD-202, Method 204, Condition D, 10 Hz to 2,000 Hz, 20 G peak | Δ C/C | Within ±10% of initial value | | | |
| | | DF | Within initial limits | | | |
| | | DCL | Within initial limits | | | |
| Additional qualification tests per MIL-PRF-55365/8 | Please contact KEMET for more information. | | | | | |

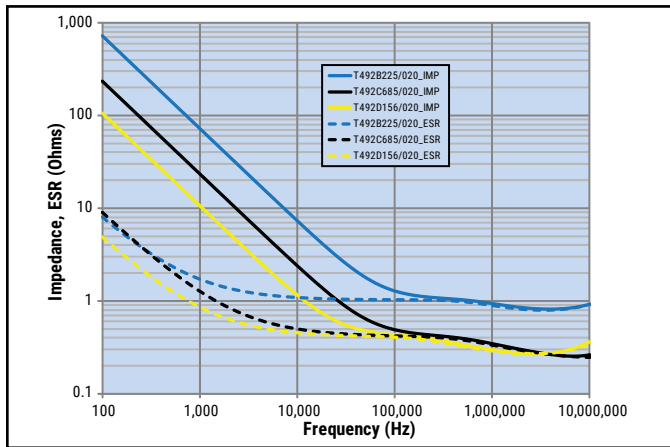
*IL = Initial Limit

Certification

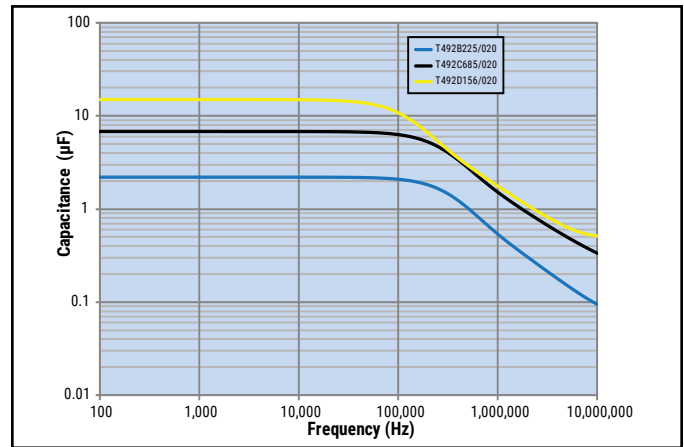
MIL-PRF-55365/8

Electrical Characteristics

ESR vs. Frequency

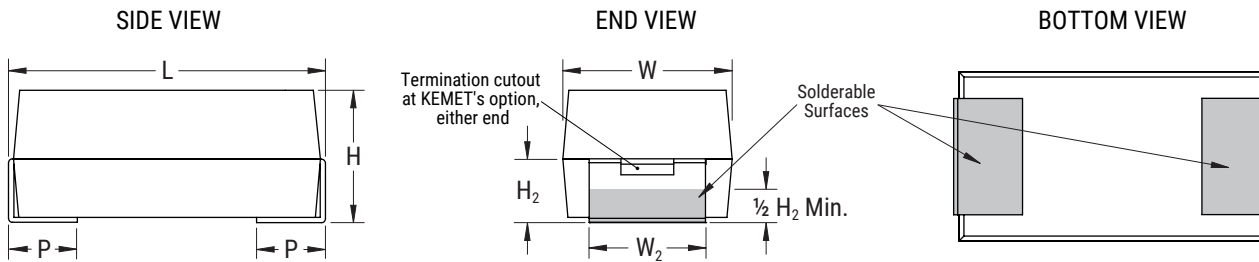


Capacitance vs. Frequency



Dimensions – Millimeters (Inches)

Metric will govern



| Case Size | Component | | | | | | Typical Weight |
|-----------|----------------------------|------------------------|----------------------------|-------------------|----------------------------|--------------------------------|----------------|
| KEMET | H | H ₂ Minimum | L | P ±0.3 (0.012) | W | W ₂ ±0.1 (0.004) | (mg) |
| A | 1.6 ±0.2 (0.063 ±0.008) | 0.7 (0.028) | 3.2 ±0.2 (0.126 ±0.008) | 0.8 (0.031) | 1.6 ±0.2 (0.063 ±0.008) | 1.2 (0.047) | 58.97 |
| B | 1.9 ±0.2 (0.075 ±0.008) | 0.7 (0.028) | 3.5 ±0.2 (0.138 ±0.008) | 0.8 (0.031) | 2.8 ±0.2 (0.110 ±0.008) | 2.2 (0.087) | 102.3 |
| C | 2.5 ±0.3 (0.098 ±0.012) | 1.0 (0.039) | 6.0 ±0.3 (0.236 ±0.012) | 1.3 (0.051) | 3.2 ±0.3 (0.126 ±0.012) | 2.2 (0.087) | 224.2 |
| D | 2.8 ±0.3 (0.110 ±0.012) | 1.0 (0.039) | 7.3 ±0.3 (0.287 ±0.012) | 1.3 (0.051) | 4.3 ±0.3 (0.169 ±0.012) | 2.4 (0.094) | 412.33 |

Note: When option C is selected for lead material, add an additional 0.38 mm (0.015 inch) to the above tolerances for "L", "W", "H", "P", "W₂" and "H₂". These weights are provided as reference. If exact weights are needed, please contact your KEMET sales representative.

Table 1 – Ratings & Part Number Reference

| Rated Voltage | Rated Cap | Case Code/ Case Size | KEMET Part Number | MIL-PRF-55365/8 Part Number | DC Leakage | DF | ESR | Maximum Operating Temp | MSL |
|---------------|-----------|-------------------------|------------------------------|------------------------------|----------------------|----------------------|-----------------------|------------------------|---------------------|
| VDC @ 85°C | µF | KEMET/EIA | (See below for part options) | (See below for part options) | µA @ +20°C Max/5 Min | % @ +20°C 120 Hz Max | Ω @ +20°C 100 kHz Max | °C | Reflow Temp ≤ 260°C |
| 4 | 2.2 | A/3216-18 | T492A225(1)004(2)(3)(4) | CWR11C(6)225(1)(2)(5) | 0.5 | 6.0 | 8.0 | 125 | 1 |
| 4 | 4.7 | A/3216-18 | T492A475(1)004(2)(3)(4) | CWR11C(6)475(1)(2)(5) | 0.5 | 6.0 | 8.0 | 125 | 1 |
| 4 | 6.8 | B/3528-21 | T492B685(1)004(2)(3)(4) | CWR11C(6)685(1)(2)(5) | 0.5 | 6.0 | 5.5 | 125 | 1 |
| 4 | 10 | B/3528-21 | T492B106(1)004(2)(3)(4) | CWR11C(6)106(1)(2)(5) | 0.5 | 6.0 | 4.0 | 125 | 1 |
| 4 | 15 | B/3528-21 | T492B156(1)004(2)(3)(4) | CWR11C(6)156(1)(2)(5) | 0.6 | 6.0 | 3.5 | 125 | 1 |
| 4 | 33 | C/6032-28 | T492C336(1)004(2)(3)(4) | CWR11C(6)336(1)(2)(5) | 1.3 | 6.0 | 2.2 | 125 | 1 |
| 4 | 68 | D/7343-31 | T492D686(1)004(2)(3)(4) | CWR11C(6)686(1)(2)(5) | 2.7 | 6.0 | 1.1 | 125 | 1 |
| 4 | 100 | D/7343-31 | T492D107(1)004(2)(3)(4) | CWR11C(6)107(1)(2)(5) | 4.0 | 8.0 | 0.9 | 125 | 1 |
| 6 | 1.5 | A/3216-18 | T492A155(1)006(2)(3)(4) | CWR11D(6)155(1)(2)(5) | 0.5 | 6.0 | 8.0 | 125 | 1 |
| 6 | 2.2 | A/3216-18 | T492A225(1)006(2)(3)(4) | CWR11D(6)225(1)(2)(5) | 0.5 | 6.0 | 8.0 | 125 | 1 |
| 6 | 3.3 | A/3216-18 | T492A335(1)006(2)(3)(4) | CWR11D(6)335(1)(2)(5) | 0.5 | 6.0 | 8.0 | 125 | 1 |
| 6 | 4.7 | B/3528-21 | T492B475(1)006(2)(3)(4) | CWR11D(6)475(1)(2)(5) | 0.5 | 6.0 | 5.5 | 125 | 1 |
| 6 | 6.8 | B/3528-21 | T492B685(1)006(2)(3)(4) | CWR11D(6)685(1)(2)(5) | 0.5 | 6.0 | 4.5 | 125 | 1 |
| 6 | 10 | B/3528-21 | T492B106(1)006(2)(3)(4) | CWR11D(6)106(1)(2)(5) | 0.6 | 6.0 | 3.5 | 125 | 1 |
| 6 | 15 | C/6032-28 | T492C156(1)006(2)(3)(4) | CWR11D(6)156(1)(2)(5) | 0.9 | 6.0 | 3.0 | 125 | 1 |
| 6 | 22 | C/6032-28 | T492C226(1)006(2)(3)(4) | CWR11D(6)226(1)(2)(5) | 1.3 | 6.0 | 2.2 | 125 | 1 |
| 6 | 47 | D/7343-31 | T492D476(1)006(2)(3)(4) | CWR11D(6)476(1)(2)(5) | 2.8 | 6.0 | 1.1 | 125 | 1 |
| 6 | 68 | D/7343-31 | T492D686(1)006(2)(3)(4) | CWR11D(6)686(1)(2)(5) | 4.1 | 6.0 | 0.9 | 125 | 1 |
| 10 | 1 | A/3216-18 | T492A105(1)010(2)(3)(4) | CWR11F(6)105(1)(2)(5) | 0.5 | 4.0 | 10.0 | 125 | 1 |
| 10 | 1.5 | A/3216-18 | T492A155(1)010(2)(3)(4) | CWR11F(6)155(1)(2)(5) | 0.5 | 6.0 | 8.0 | 125 | 1 |
| 10 | 2.2 | A/3216-18 | T492A225(1)010(2)(3)(4) | CWR11F(6)225(1)(2)(5) | 0.5 | 6.0 | 8.0 | 125 | 1 |
| 10 | 3.3 | B/3528-21 | T492B335(1)010(2)(3)(4) | CWR11F(6)335(1)(2)(5) | 0.5 | 6.0 | 5.5 | 125 | 1 |
| 10 | 4.7 | B/3528-21 | T492B475(1)010(2)(3)(4) | CWR11F(6)475(1)(2)(5) | 0.5 | 6.0 | 4.5 | 125 | 1 |
| 10 | 6.8 | B/3528-21 | T492B685(1)010(2)(3)(4) | CWR11F(6)685(1)(2)(5) | 0.7 | 6.0 | 3.5 | 125 | 1 |
| 10 | 15 | C/6032-28 | T492C156(1)010(2)(3)(4) | CWR11F(6)156(1)(2)(5) | 1.5 | 6.0 | 2.5 | 125 | 1 |
| 10 | 33 | D/7343-31 | T492D336(1)010(2)(3)(4) | CWR11F(6)336(1)(2)(5) | 3.3 | 6.0 | 1.1 | 125 | 1 |
| 10 | 47 | D/7343-31 | T492D476(1)010(2)(3)(4) | CWR11F(6)476(1)(2)(5) | 4.7 | 6.0 | 0.9 | 125 | 1 |
| 15 | 0.68 | A/3216-18 | T492A684(1)015(2)(3)(4) | CWR11H(6)684(1)(2)(5) | 0.5 | 4.0 | 12.0 | 125 | 1 |
| 15 | 1 | A/3216-18 | T492A105(1)015(2)(3)(4) | CWR11H(6)105(1)(2)(5) | 0.5 | 4.0 | 10.0 | 125 | 1 |
| 15 | 1.5 | A/3216-18 | T492A155(1)015(2)(3)(4) | CWR11H(6)155(1)(2)(5) | 0.5 | 6.0 | 8.0 | 125 | 1 |
| 15 | 2.2 | B/3528-21 | T492B225(1)015(2)(3)(4) | CWR11H(6)225(1)(2)(5) | 0.5 | 6.0 | 5.5 | 125 | 1 |
| 15 | 3.3 | B/3528-21 | T492B335(1)015(2)(3)(4) | CWR11H(6)335(1)(2)(5) | 0.5 | 6.0 | 5.0 | 125 | 1 |
| 15 | 4.7 | B/3528-21 | T492B475(1)015(2)(3)(4) | CWR11H(6)475(1)(2)(5) | 0.7 | 6.0 | 4.0 | 125 | 1 |
| 15 | 10 | C/6032-28 | T492C106(1)015(2)(3)(4) | CWR11H(6)106(1)(2)(5) | 1.5 | 6.0 | 2.5 | 125 | 1 |
| 15 | 22 | D/7343-31 | T492D226(1)015(2)(3)(4) | CWR11H(6)226(1)(2)(5) | 3.3 | 6.0 | 1.1 | 125 | 1 |
| 15 | 33 | D/7343-31 | T492D336(1)015(2)(3)(4) | CWR11H(6)336(1)(2)(5) | 5.0 | 6.0 | 0.9 | 125 | 1 |
| 20 | 0.47 | A/3216-18 | T492A474(1)020(2)(3)(4) | CWR11J(6)474(1)(2)(5) | 0.5 | 4.0 | 14.0 | 125 | 1 |
| 20 | 0.68 | A/3216-18 | T492A684(1)020(2)(3)(4) | CWR11J(6)684(1)(2)(5) | 0.5 | 4.0 | 12.0 | 125 | 1 |
| 20 | 1 | A/3216-18 | T492A105(1)020(2)(3)(4) | CWR11J(6)105(1)(2)(5) | 0.5 | 4.0 | 10.0 | 125 | 1 |
| 20 | 1.5 | B/3528-21 | T492B155(1)020(2)(3)(4) | CWR11J(6)155(1)(2)(5) | 0.5 | 6.0 | 6.0 | 125 | 1 |
| 20 | 2.2 | B/3528-21 | T492B225(1)020(2)(3)(4) | CWR11J(6)225(1)(2)(5) | 0.5 | 6.0 | 5.0 | 125 | 1 |
| 20 | 3.3 | B/3528-21 | T492B335(1)020(2)(3)(4) | CWR11J(6)335(1)(2)(5) | 0.7 | 6.0 | 4.0 | 125 | 1 |
| 20 | 4.7 | C/6032-28 | T492C475(1)020(2)(3)(4) | CWR11J(6)475(1)(2)(5) | 0.9 | 6.0 | 3.0 | 125 | 1 |
| 20 | 6.8 | C/6032-28 | T492C685(1)020(2)(3)(4) | CWR11J(6)685(1)(2)(5) | 1.4 | 6.0 | 2.4 | 125 | 1 |
| VDC @ 85°C | µF | KEMET/EIA | (See below for part options) | (See below for part options) | µA @ +20°C Max/5 Min | % @ +20°C 120 Hz Max | Ω @ +20°C 100 kHz Max | °C | Reflow Temp ≤ 260°C |
| Rated Voltage | Rated Cap | Case Code/ Case Size | KEMET Part Number | MIL-PRF-55365/8 Part Number | DC Leakage | DF | ESR | Maximum Operating Temp | MSL |

(1) To complete KEMET/CWR part number, insert M for ±20%, K for ±10%, or J for ±5%. Designates Capacitance tolerance.

(2) To complete KEMET/CWR part number, insert failure rate letter per the Ordering Information found on page 2. Designates Reliability Level.

(3) To complete KEMET part number, insert B = Gold-plated, C = Hot solder dipped, H or S = Solder plated or K = Solder fused. Designates Termination Finish.

(4) To complete KEMET part number, insert 4250 = +25°C after Weibull, 4251 = -55°C +85°C after Weibull, or 4252 = -55°C +85°C before Weibull.

Designates Surge Current Option.

(5) To complete CWR part number, insert A = +25°C after Weibull, B = -55°C +85°C after Weibull, C = -55°C +85°C before Weibull or Z = None. Designates Surge Current Option.

(6) To complete CWR part number, insert B = Gold-plated, C = Hot solder dipped, H = Solder plated or K = Solder fused. Designates Termination Finish.

Refer to Ordering Information for additional details.

Table 1 – Ratings & Part Number Reference cont'd

| Rated Voltage | Rated Cap | Case Code/ Case Size | KEMET Part Number | MIL-PRF-55365/8 Part Number | DC Leakage | DF | ESR | Maximum Operating Temp | MSL |
|---------------|-----------|-------------------------|------------------------------|------------------------------|----------------------|----------------------|-----------------------|------------------------|---------------------|
| VDC @ 85°C | µF | KEMET/EIA | (See below for part options) | (See below for part options) | µA @ +20°C Max/5 Min | % @ +20°C 120 Hz Max | Ω @ +20°C 100 kHz Max | °C | Reflow Temp ≤ 260°C |
| 20 | 15 | D/7343-31 | T492D156(1)020(2)(3)(4) | CWR11J(6)156(1)(2)(5) | 3.0 | 6.0 | 1.1 | 125 | 1 |
| 20 | 22 | D/7343-31 | T492D226(1)020(2)(3)(4) | CWR11J(6)226(1)(2)(5) | 4.4 | 6.0 | 0.9 | 125 | 1 |
| 25 | 0.33 | A/3216-18 | T492A334(1)025(2)(3)(4) | CWR11K(6)334(1)(2)(5) | 0.5 | 4.0 | 15.0 | 125 | 1 |
| 25 | 0.47 | A/3216-18 | T492A474(1)025(2)(3)(4) | CWR11K(6)474(1)(2)(5) | 0.5 | 4.0 | 14.0 | 125 | 1 |
| 25 | 0.68 | B/3528-21 | T492B684(1)025(2)(3)(4) | CWR11K(6)684(1)(2)(5) | 0.5 | 4.0 | 7.5 | 125 | 1 |
| 25 | 1 | B/3528-21 | T492B105(1)025(2)(3)(4) | CWR11K(6)105(1)(2)(5) | 0.5 | 4.0 | 6.5 | 125 | 1 |
| 25 | 1.5 | B/3528-21 | T492B155(1)025(2)(3)(4) | CWR11K(6)155(1)(2)(5) | 0.5 | 6.0 | 6.5 | 125 | 1 |
| 25 | 2.2 | C/6032-28 | T492C225(1)025(2)(3)(4) | CWR11K(6)225(1)(2)(5) | 0.6 | 6.0 | 3.5 | 125 | 1 |
| 25 | 3.3 | C/6032-28 | T492C335(1)025(2)(3)(4) | CWR11K(6)335(1)(2)(5) | 0.8 | 6.0 | 3.5 | 125 | 1 |
| 25 | 4.7 | C/6032-28 | T492C475(1)025(2)(3)(4) | CWR11K(6)475(1)(2)(5) | 1.2 | 6.0 | 2.5 | 125 | 1 |
| 25 | 6.8 | D/7343-31 | T492D685(1)025(2)(3)(4) | CWR11K(6)685(1)(2)(5) | 1.7 | 6.0 | 1.4 | 125 | 1 |
| 25 | 10 | D/7343-31 | T492D106(1)025(2)(3)(4) | CWR11K(6)106(1)(2)(5) | 2.5 | 6.0 | 1.2 | 125 | 1 |
| 25 | 15 | D/7343-31 | T492D156(1)025(2)(3)(4) | CWR11K(6)156(1)(2)(5) | 3.8 | 6.0 | 1.0 | 125 | 1 |
| 35 | 0.1 | A/3216-18 | T492A104(1)035(2)(3)(4) | CWR11M(6)104(1)(2)(5) | 0.5 | 4.0 | 24.0 | 125 | 1 |
| 35 | 0.15 | A/3216-18 | T492A154(1)035(2)(3)(4) | CWR11M(6)154(1)(2)(5) | 0.5 | 4.0 | 21.0 | 125 | 1 |
| 35 | 0.22 | A/3216-18 | T492A224(1)035(2)(3)(4) | CWR11M(6)224(1)(2)(5) | 0.5 | 4.0 | 18.0 | 125 | 1 |
| 35 | 0.33 | A/3216-18 | T492A334(1)035(2)(3)(4) | CWR11M(6)334(1)(2)(5) | 0.5 | 4.0 | 15.0 | 125 | 1 |
| 35 | 0.47 | B/3528-21 | T492B474(1)035(2)(3)(4) | CWR11M(6)474(1)(2)(5) | 0.5 | 4.0 | 10.0 | 125 | 1 |
| 35 | 0.68 | B/3528-21 | T492B684(1)035(2)(3)(4) | CWR11M(6)684(1)(2)(5) | 0.5 | 4.0 | 8.0 | 125 | 1 |
| 35 | 1 | B/3528-21 | T492B105(1)035(2)(3)(4) | CWR11M(6)105(1)(2)(5) | 0.5 | 4.0 | 6.5 | 125 | 1 |
| 35 | 1.5 | C/6032-28 | T492C155(1)035(2)(3)(4) | CWR11M(6)155(1)(2)(5) | 0.5 | 6.0 | 4.5 | 125 | 1 |
| 35 | 2.2 | C/6032-28 | T492C225(1)035(2)(3)(4) | CWR11M(6)225(1)(2)(5) | 0.8 | 6.0 | 3.5 | 125 | 1 |
| 35 | 3.3 | C/6032-28 | T492C335(1)035(2)(3)(4) | CWR11M(6)335(1)(2)(5) | 1.2 | 6.0 | 2.5 | 125 | 1 |
| 35 | 4.7 | D/7343-31 | T492D475(1)035(2)(3)(4) | CWR11M(6)475(1)(2)(5) | 1.6 | 6.0 | 1.5 | 125 | 1 |
| 35 | 6.8 | D/7343-31 | T492D685(1)035(2)(3)(4) | CWR11M(6)685(1)(2)(5) | 2.4 | 6.0 | 1.3 | 125 | 1 |
| 50 | 0.1 | A/3216-18 | T492A104(1)050(2)(3)(4) | CWR11N(6)104(1)(2)(5) | 0.5 | 6.0 | 22.0 | 125 | 1 |
| 50 | 0.15 | B/3528-21 | T492B154(1)050(2)(3)(4) | CWR11N(6)154(1)(2)(5) | 0.5 | 4.0 | 17.0 | 125 | 1 |
| 50 | 0.22 | B/3528-21 | T492B224(1)050(2)(3)(4) | CWR11N(6)224(1)(2)(5) | 0.5 | 4.0 | 14.0 | 125 | 1 |
| 50 | 0.33 | B/3528-21 | T492B334(1)050(2)(3)(4) | CWR11N(6)334(1)(2)(5) | 0.5 | 4.0 | 12.0 | 125 | 1 |
| 50 | 0.47 | C/6032-28 | T492C474(1)050(2)(3)(4) | CWR11N(6)474(1)(2)(5) | 0.5 | 4.0 | 8.0 | 125 | 1 |
| 50 | 0.68 | C/6032-28 | T492C684(1)050(2)(3)(4) | CWR11N(6)684(1)(2)(5) | 0.5 | 4.0 | 7.0 | 125 | 1 |
| 50 | 1 | C/6032-28 | T492C105(1)050(2)(3)(4) | CWR11N(6)105(1)(2)(5) | 0.5 | 4.0 | 6.0 | 125 | 1 |
| 50 | 1.5 | D/7343-31 | T492D155(1)050(2)(3)(4) | CWR11N(6)155(1)(2)(5) | 0.8 | 6.0 | 4.0 | 125 | 1 |
| 50 | 2.2 | D/7343-31 | T492D225(1)050(2)(3)(4) | CWR11N(6)225(1)(2)(5) | 1.1 | 6.0 | 2.5 | 125 | 1 |
| 50 | 3.3 | D/7343-31 | T492D335(1)050(2)(3)(4) | CWR11N(6)335(1)(2)(5) | 1.7 | 6.0 | 2.0 | 125 | 1 |
| 50 | 4.7 | D/7343-31 | T492D475(1)050(2)(3)(4) | CWR11N(6)475(1)(2)(5) | 2.4 | 6.0 | 1.5 | 125 | 1 |
| VDC @ 85°C | µF | KEMET/EIA | (See below for part options) | (See below for part options) | µA @ +20°C Max/5 Min | % @ +20°C 120 Hz Max | Ω @ +20°C 100 kHz Max | °C | Reflow Temp ≤ 260°C |
| Rated Voltage | Rated Cap | Case Code/ Case Size | KEMET Part Number | MIL-PRF-55365/8 Part Number | DC Leakage | DF | ESR | Maximum Operating Temp | MSL |

(1) To complete KEMET/CWR part number, insert M for ±20%, K for ±10%, or J for ±5%. Designates Capacitance tolerance.

(2) To complete KEMET/CWR part number, insert failure rate letter per the Ordering Information found on page 2. Designates Reliability Level.

(3) To complete KEMET part number, insert B = Gold-plated, C = Hot solder dipped, H or S = Solder plated or K = Solder fused. Designates Termination Finish.

(4) To complete KEMET part number, insert 4250 = +25°C after Weibull, 4251 = -55°C +85°C after Weibull, or 4252 = -55°C +85°C before Weibull.

Designates Surge Current Option.

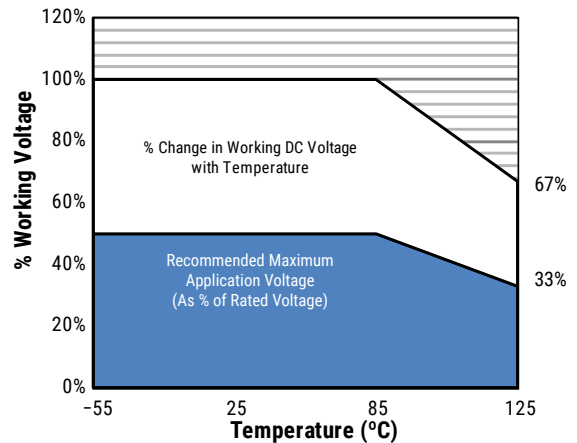
(5) To complete CWR part number, insert A = +25°C after Weibull, B = -55°C +85°C after Weibull, C = -55°C +85°C before Weibull or Z = None. Designates Surge Current Option.

(6) To complete CWR part number, insert B = Gold-plated, C = Hot solder dipped, H = Solder plated or K = Solder fused. Designates Termination Finish.

Refer to Ordering Information for additional details.

Recommended Voltage Derating Guidelines

| | -55°C to 85°C | 85°C to 125°C |
|---|---------------|---------------|
| % Change in Working DC Voltage with Temperature | V_R | 67% of V_R |
| Recommended Maximum Application Voltage | 50% of V_R | 33% of V_R |



Ripple Current/Ripple Voltage

Permissible AC ripple voltage and current are related to equivalent series resistance (ESR) and the power dissipation capabilities of the device. Permissible AC ripple voltage which may be applied is limited by two criteria:

1. The positive peak AC voltage plus the DC bias voltage, if any, must not exceed the DC voltage rating of the capacitor.
2. The negative peak AC voltage in combination with bias voltage, if any, must not exceed the allowable limits specified for the reverse voltage. See the Reverse Voltage section for allowable limits.

The maximum power dissipation by case size can be determined using the table at right. The maximum power dissipation rating stated in the table must be reduced with increasing environmental operating temperatures. Refer to the table below for temperature compensation requirements.

| KEMET Case Code | EIA Case Code | Maximum Power Dissipation (P max) mWatts at 25°C w/+20°C Rise |
|-----------------|---------------|---|
| A | 3216-18 | 75 |
| B | 3528-21 | 85 |
| C | 6032-28 | 110 |
| D | 7343-31 | 150 |
| X | 7343-43 | 165 |
| E | 7360-38 | 200 |
| S | 3216-12 | 60 |
| T | 3528-12 | 70 |
| U | 6032-15 | 90 |
| V | 7343-20 | 125 |
| T510X | 7343-43 | 270 |
| T510E | 7360-38 | 285 |

Using the P max of the device, the maximum allowable rms ripple current or voltage may be determined.

$$I(max) = \sqrt{P_{max}/R}$$

$$E(max) = Z \sqrt{P_{max}/R}$$

I = rms ripple current (amperes)

E = rms ripple voltage (volts)

P_{max} = maximum power dissipation (watts)

R = ESR at specified frequency (ohms)

Z = Impedance at specified frequency (ohms)

| Temperature Compensation Multipliers for Maximum Ripple Current | | |
|---|---------------------------|----------------------------|
| $T \leq 25^\circ\text{C}$ | $T \leq 85^\circ\text{C}$ | $T \leq 125^\circ\text{C}$ |
| 1.00 | 0.90 | 0.40 |

T = Environmental Temperature

The maximum power dissipation rating must be reduced with increasing environmental operating temperatures. Refer to the Temperature Compensation Multiplier table for details.

Reverse Voltage

Solid tantalum capacitors are polar devices and may be permanently damaged or destroyed if connected with the wrong polarity. The positive terminal is identified on the capacitor body by a stripe, plus, in some cases a beveled edge. A small degree of transient reverse voltage is permissible for short periods per the table. The capacitors should not be operated continuously in reverse mode, even within these limits.

| Temperature | Permissible Transient Reverse Voltage |
|-------------|---------------------------------------|
| 25°C | 15% of Rated Voltage |
| 85°C | 5% of Rated Voltage |
| 125°C | 1% of Rated Voltage |

Table 2 – Land Dimensions/Courtyard

| KEMET | Metric Size Code | Density Level A: Maximum (Most) Land Protrusion (mm) | | | | | Density Level B: Median (Nominal) Land Protrusion (mm) | | | | | Density Level C: Minimum (Least) Land Protrusion (mm) | | | | |
|-------|------------------|---|------|------|-------|------|---|------|------|------|------|--|------|------|------|------|
| | | Case | EIA | W | L | S | V1 | V2 | W | L | S | V1 | V2 | W | L | S |
| A | 3216-18 | 1.35 | 2.20 | 0.62 | 6.02 | 2.80 | 1.23 | 1.80 | 0.82 | 4.92 | 2.30 | 1.13 | 1.42 | 0.98 | 4.06 | 2.04 |
| B | 3528-21 | 2.35 | 2.21 | 0.92 | 6.32 | 4.00 | 2.23 | 1.80 | 1.12 | 5.22 | 3.50 | 2.13 | 1.42 | 1.28 | 4.36 | 3.24 |
| C | 6032-25 | 2.35 | 2.77 | 2.37 | 8.92 | 4.50 | 2.23 | 2.37 | 2.57 | 7.82 | 4.00 | 2.13 | 1.99 | 2.73 | 6.96 | 3.74 |
| D | 7343-31 | 2.55 | 2.77 | 3.67 | 10.22 | 5.60 | 2.43 | 2.37 | 3.87 | 9.12 | 5.10 | 2.33 | 1.99 | 4.03 | 8.26 | 4.84 |

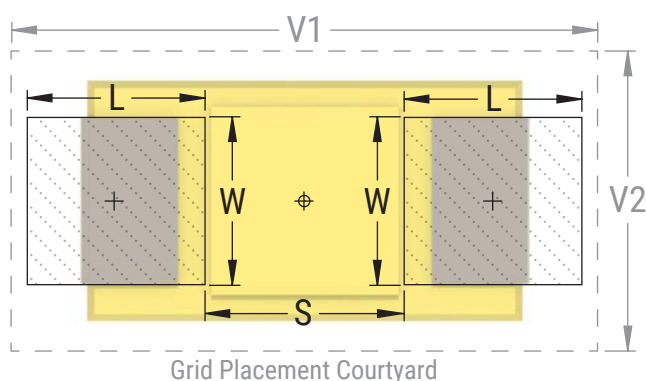
Density Level A: For low-density product applications. Recommended for wave solder applications and provides a wider process window for reflow solder processes.

Density Level B: For products with a moderate level of component density. Provides a robust solder attachment condition for reflow solder processes.

Density Level C: For high component density product applications. Before adapting the minimum land pattern variations, the user should perform qualification testing based on the conditions outlined in IPC standard 7351 (IPC-7351).

¹ Height of these chips may create problems in wave soldering.

² Land pattern geometry is too small for silkscreen outline.



Soldering Process

KEMET’s families of surface mount capacitors are compatible with wave (single or dual), convection, IR, or vapor phase reflow techniques. Preheating of these components is recommended to avoid extreme thermal stress. KEMET’s recommended profile conditions for convection and IR reflow reflect the profile conditions of the IPC/J–STD–020D standard for moisture sensitivity testing. The devices can safely withstand a maximum of three reflow passes at these conditions.

Please note that although the X/7343–43 case size can withstand wave soldering, the tall profile (4.3 mm maximum) dictates care in wave process development.

Hand soldering should be performed with care due to the difficulty in process control. If performed, care should be taken to avoid contact of the soldering iron to the molded case. The iron should be used to heat the solder pad, applying solder between the pad and the termination, until reflow occurs. Once reflow occurs, the iron should be removed immediately. “Wiping” the edges of a chip and heating the top surface is not recommended.

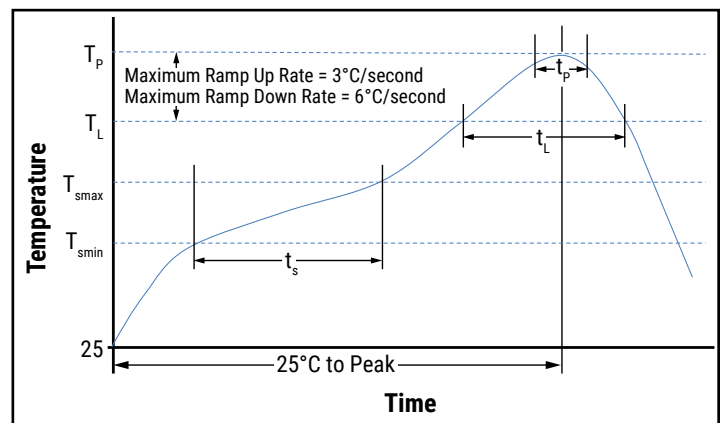
During typical reflow operations, a slight darkening of the gold-colored epoxy may be observed. This slight darkening is normal and not harmful to the product. Marking permanency is not affected by this change.

| Profile Feature | SnPb Assembly | Pb-Free Assembly |
|---|--------------------|--------------------|
| Preheat/Soak | | |
| Temperature Minimum (T_{smin}) | 100°C | 150°C |
| Temperature Maximum (T_{smax}) | 150°C | 200°C |
| Time (t_s) from T_{smin} to T_{smax} | 60 – 120 seconds | 60 – 120 seconds |
| Ramp-up Rate (T_L to T_p) | 3°C/second maximum | 3°C/second maximum |
| Liquidous Temperature (T_L) | 183°C | 217°C |
| Time Above Liquidous (t_L) | 60 – 150 seconds | 60 – 150 seconds |
| Peak Temperature (T_p) | 220°C* 235°C** | 250°C* 260°C** |
| Time within 5°C of Maximum Peak Temperature (t_p) | 20 seconds maximum | 30 seconds maximum |
| Ramp-down Rate (T_p to T_L) | 6°C/second maximum | 6°C/second maximum |
| Time 25°C to Peak Temperature | 6 minutes maximum | 8 minutes maximum |

Note: All temperatures refer to the center of the package, measured on the package body surface that is facing up during assembly reflow.

* For Case Size height > 2.5 mm

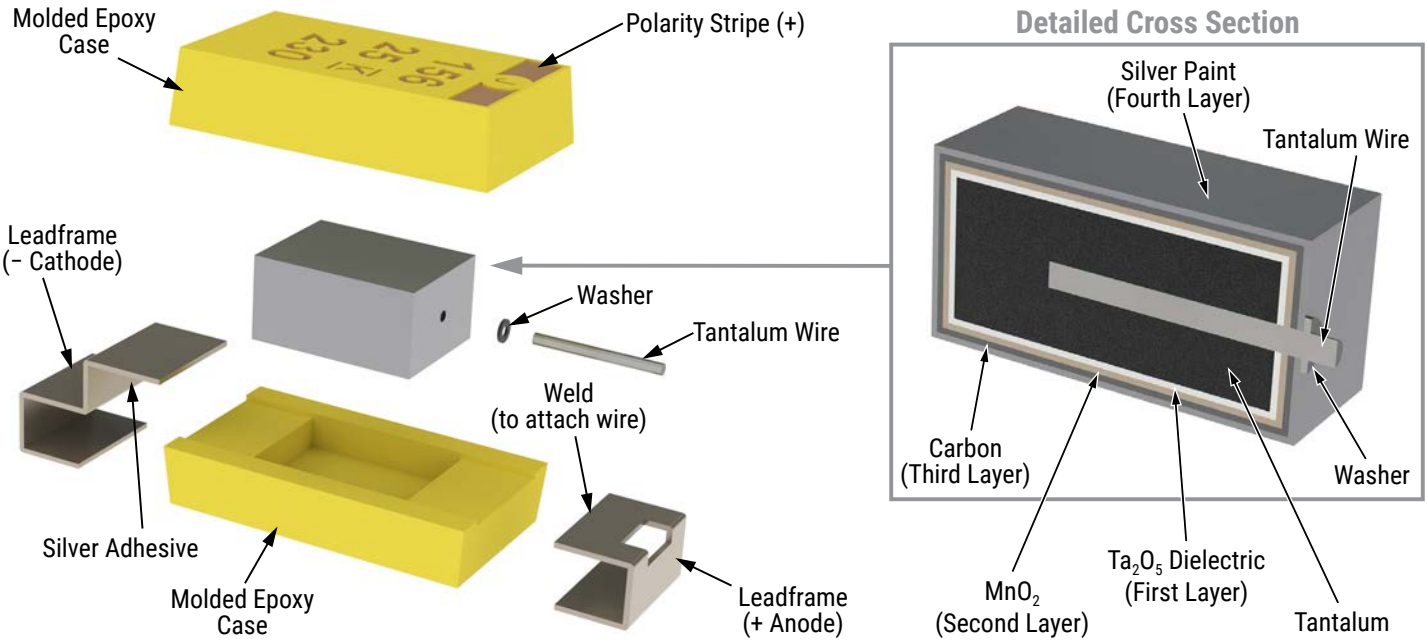
** For Case Size height ≤ 2.5 mm



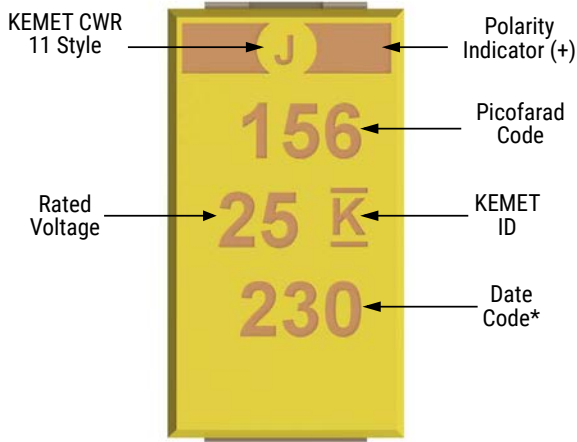
Storage

Tantalum chip capacitors should be stored in normal working environments. While the chips themselves are quite robust in other environments, solderability will be degraded by exposure to high temperatures, high humidity, corrosive atmospheres, and long term storage. In addition, packaging materials will be degraded by high temperature – reels may soften or warp and tape peel force may increase. KEMET recommends that maximum storage temperature not exceed 40°C and maximum storage humidity not exceed 60% relative humidity. Temperature fluctuations should be minimized to avoid condensation on the parts and atmospheres should be free of chlorine and sulphur bearing compounds. For optimized solderability chip stock should be used promptly, preferably within three years of receipt.

Construction



Capacitor Marking



* 230 = 30th week of 2012

| Date Code * | |
|--|--|
| 1 st digit = last number of year | 2 = 2012 3 = 2013 4 = 2014 5 = 2015 6 = 2016 7 = 2017 |
| 2 nd and 3 rd digit = week of the year | 01 = 1 st week of the year to 52 = 52 nd week of the year |

Tape & Reel Packaging Information

KEMET's molded chip capacitor families are packaged in 8 and 12 mm plastic tape on 7" and 13" reels in accordance with *EIA Standard 481: Embossed Carrier Taping of Surface Mount Components for Automatic Handling*. This packaging system is compatible with all tape-fed automatic pick-and-place systems.

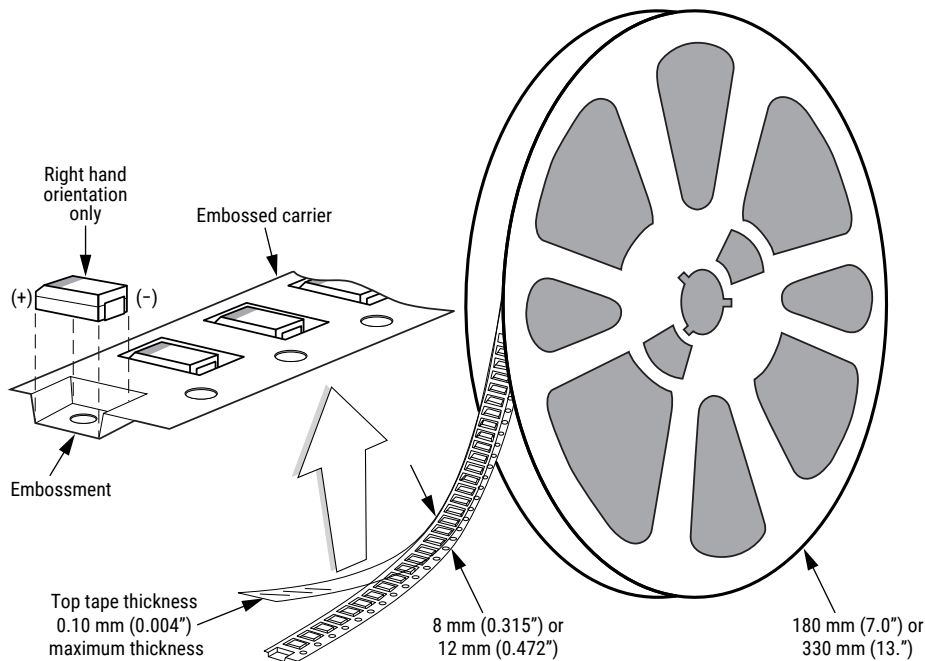


Table 3 – Packaging Quantity

| Case Code | | Tape Width (mm) | 7" Reel* | 13" Reel* |
|-----------|---------|-----------------|----------|-----------|
| KEMET | EIA | | | |
| S | 3216-12 | 8 | 2,500 | 10,000 |
| T | 3528-12 | 8 | 3,000 | 10,000 |
| M | 3528-15 | 8 | 2,500 | 8,000 |
| U | 6032-15 | 12 | 1,000 | 5,000 |
| L | 6032-19 | 12 | 1,000 | 3,000 |
| W | 7343-15 | 12 | 1,000 | 3,000 |
| Z | 7343-17 | 12 | 1,000 | 3,000 |
| V | 7343-20 | 12 | 1,000 | 3,000 |
| A | 3216-18 | 8 | 2,000 | – |
| B | 3528-21 | 8 | 2,000 | 8,000 |
| C | 6032-28 | 12 | 500 | 3,000 |
| D | 7343-31 | 12 | 500 | 2,500 |
| Q | 7343-12 | 12 | 1,000 | 3,000 |
| Y | 7343-40 | 12 | 500 | 2,000 |
| X | 7343-43 | 12 | 500 | 2,000 |
| E/T428P | 7360-38 | 12 | 500 | 2,000 |
| H | 7360-20 | 12 | 1,000 | 2,500 |
| O | 7360-43 | 12 | 250 | 1,000 |

* No C-Spec required for 7" reel packaging. C-7280 required for 13" reel packaging.

Figure 1 – Embossed (Plastic) Carrier Tape Dimensions



Table 4 – Embossed (Plastic) Carrier Tape Dimensions

Metric will govern

| Constant Dimensions – Millimeters (Inches) | | | | | | | | | |
|--|---|----------------------------------|--------------------------------|-------------------------------|-------------------------------|-----------------------|----------------------------------|------------------|------------------------|
| Tape Size | D ₀ | D ₁ Minimum Note 1 | E ₁ | P ₀ | P ₂ | R Reference Note 2 | S ₁ Minimum Note 3 | T Maximum | T ₁ Maximum |
| 8 mm | 1.5 + 0.10/-0.0 (0.059 +0.004/-0.0) | 1.0 (0.039) | 1.75 ± 0.10 (0.069 ± 0.004) | 4.0 ± 0.10 (0.157 ± 0.004) | 2.0 ± 0.05 (0.079 ± 0.002) | 25.0 (0.984) | 0.600 (0.024) | 0.600 (0.024) | 0.100 (0.004) |
| 12 mm | | 1.5 (0.059) | | | | | | | |

| Variable Dimensions – Millimeters (Inches) | | | | | | | | | |
|--|---------------------------------------|----------------------------------|------------------------|-------------------------------|--|------------------------|-----------------|--|--|
| Tape Size | Pitch | B ₁ Maximum Note 4 | E ₂ Minimum | F | P ₁ | T ₂ Maximum | W Maximum | A ₀ , B ₀ & K ₀ | |
| 8 mm | Single (4 mm) | 4.35 (0.171) | 6.25 (0.246) | 3.5 ± 0.05 (0.138 ± 0.002) | 2.0 ± 0.05 or 4.0 ± 0.10 (0.079 ± 0.002 or 0.157 ± 0.004) | 2.5 (0.098) | 8.3 (0.327) | Note 5 | |
| 12 mm | Single (4 mm) and Double (8 mm) | 8.2 (0.323) | 10.25 (0.404) | 5.5 ± 0.05 (0.217 ± 0.002) | 2.0 ± 0.05 (0.079 ± 0.002) or 4.0 ± 0.10 (0.157 ± 0.004) or 8.0 ± 0.10 (0.315 ± 0.004) | 4.6 (0.181) | 12.3 (0.484) | | |

1. The embossment hole location shall be measured from the sprocket hole controlling the location of the embossment. Dimensions of embossment location and hole location shall be applied independent of each other.
2. The tape, with or without components, shall pass around R without damage (see Figure 4).
3. If S₁ < 1.0 mm, there may not be enough area for cover tape to be properly applied (see EIA Standard 481-D, paragraph 4.3, section b).
4. B₁ dimension is a reference dimension for tape feeder clearance only.
5. The cavity defined by A₀, B₀ and K₀ shall surround the component with sufficient clearance that:
 - (a) the component does not protrude above the top surface of the carrier tape.
 - (b) the component can be removed from the cavity in a vertical direction without mechanical restriction, after the top cover tape has been removed.
 - (c) rotation of the component is limited to 20° maximum for 8 and 12 mm tapes (see Figure 2).
 - (d) lateral movement of the component is restricted to 0.5 mm maximum for 8 mm and 12 mm wide tape (see Figure 3).
 - (e) see Addendum in EIA Standard 481-D for standards relating to more precise taping requirements.

Packaging Information Performance Notes

- 1. Cover tape break force:** 1.0 kg minimum.
- 2. Cover tape peel strength:** The total peel strength of the cover tape from the carrier tape shall be:

| Tape Width | Peel Strength |
|------------|----------------------------------|
| 8 mm | 0.1 to 1.0 newton (10 to 100 gf) |
| 12 mm | 0.1 to 1.3 newton (10 to 130 gf) |

The direction of the pull shall be opposite the direction of the carrier tape travel. The pull angle of the carrier tape shall be 165° to 180° from the plane of the carrier tape. During peeling, the carrier and/or cover tape shall be pulled at a velocity of 300 ±10 mm/minute.

- 3. Labeling:** Bar code labeling (standard or custom) shall be on the side of the reel opposite the sprocket holes. Refer to EIA Standards 556 and 624.

Figure 2 – Maximum Component Rotation



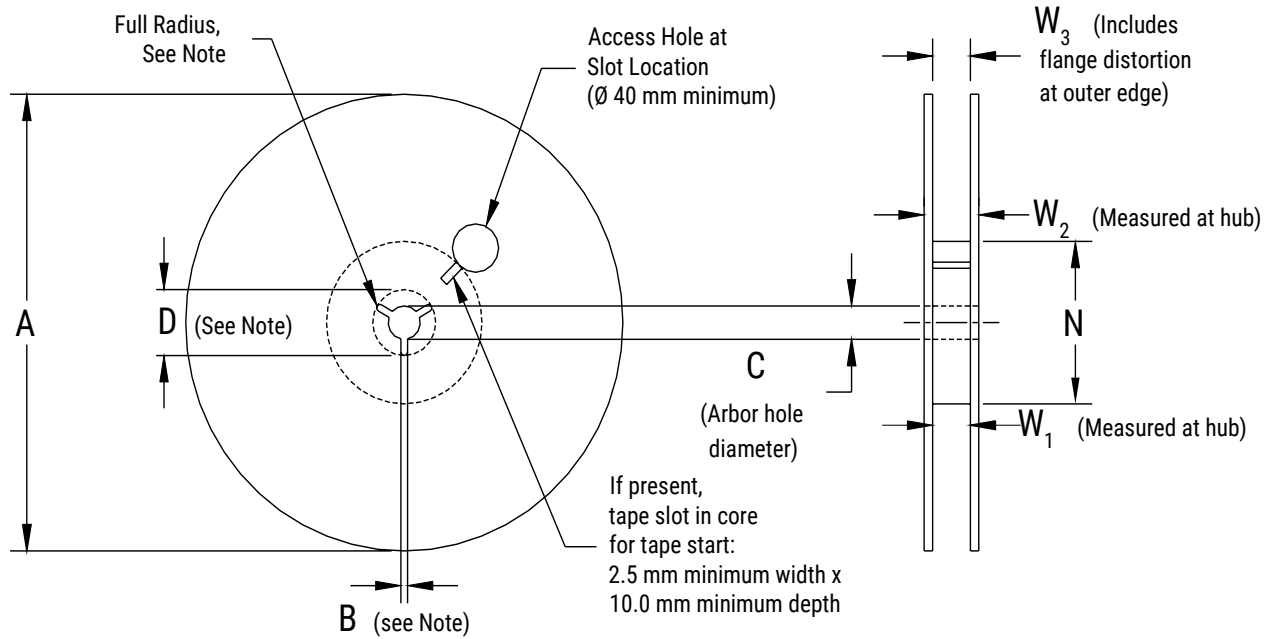
Figure 3 – Maximum Lateral Movement



Figure 4 – Bending Radius



Figure 5 – Reel Dimensions



Note: Drive spokes optional; if used, dimensions B and D shall apply.

Table 5 – Reel Dimensions

Metric will govern

| Constant Dimensions – Millimeters (Inches) | | | | |
|--|------------------------------|---------------------------------------|--|---|
| Tape Size | A | B Minimum | C | D Minimum |
| 8 mm | 178 ±0.20 (7.008 ±0.008) | 1.5 (0.059) | 13.0 +0.5/-0.2 (0.521 +0.02/-0.008) | 20.2 (0.795) |
| 12 mm | 330 ±0.20 (13.000 ±0.008) | | | |
| Variable Dimensions – Millimeters (Inches) | | | | |
| Tape Size | N Minimum | W ₁ | W ₂ Maximum | W ₃ |
| 8 mm | 50 (1.969) | 8.4 +1.5/-0.0 (0.331 +0.059/-0.0) | 14.4 (0.567) | Shall accommodate tape width without interference |
| 12 mm | | 12.4 +2.0/-0.0 (0.488 +0.078/-0.0) | 18.4 (0.724) | |

Figure 6 – Tape Leader & Trailer Dimensions

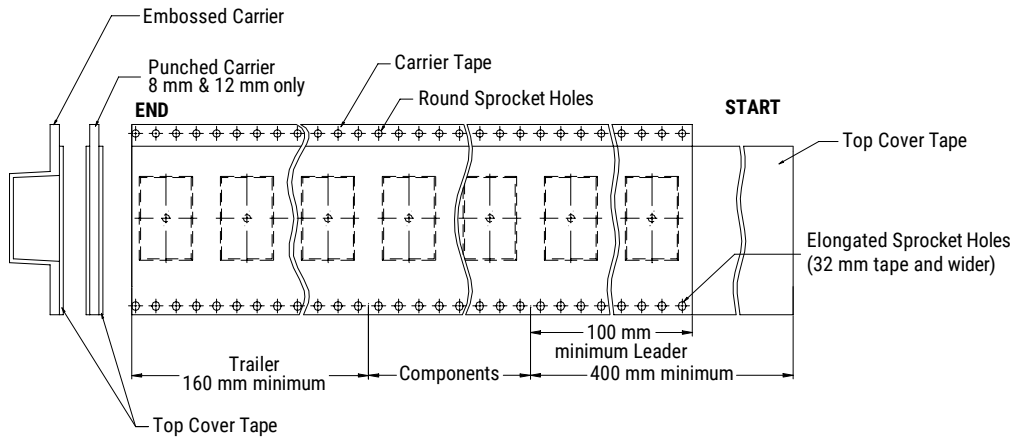
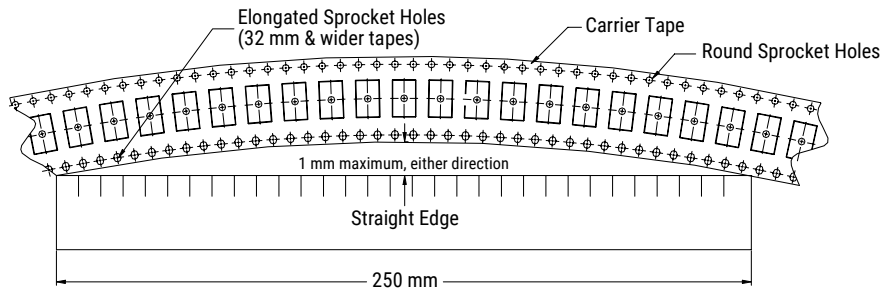


Figure 7 – Maximum Camber



KEMET Electronics Corporation Sales Offices

For a complete list of our global sales offices, please visit www.kemet.com/sales.

Disclaimer

All product specifications, statements, information and data (collectively, the "Information") in this datasheet are subject to change. The customer is responsible for checking and verifying the extent to which the Information contained in this publication is applicable to an order at the time the order is placed. All Information given herein is believed to be accurate and reliable, but it is presented without guarantee, warranty, or responsibility of any kind, expressed or implied. Statements of suitability for certain applications are based on KEMET Electronics Corporation's ("KEMET") knowledge of typical operating conditions for such applications, but are not intended to constitute – and KEMET specifically disclaims – any warranty concerning suitability for a specific customer application or use. The Information is intended for use only by customers who have the requisite experience and capability to determine the correct products for their application. Any technical advice inferred from this Information or otherwise provided by KEMET with reference to the use of KEMET's products is given gratis, and KEMET assumes no obligation or liability for the advice given or results obtained.

Although KEMET designs and manufactures its products to the most stringent quality and safety standards, given the current state of the art, isolated component failures may still occur. Accordingly, customer applications which require a high degree of reliability or safety should employ suitable designs or other safeguards (such as the installation of protective circuitry or redundancies) in order to ensure that the failure of an electrical component does not result in a risk of personal injury or property damage.

Although all product-related warnings, cautions and notes must be observed, the customer should not assume that all safety measures are indicated or that other measures may not be required.

KEMET is a registered trademark of KEMET Electronics Corporation.

X-ON Electronics

Largest Supplier of Electrical and Electronic Components

Click to view similar products for [Tantalum Capacitors - Solid SMD category:](#)

Click to view products by [Kemet manufacturer:](#)

Other Similar products are found below :

[B45197-A2157-M509](#) [B45197A5226M409](#) [293D686X0020E8T](#) [TCSCS1A336KBAR](#) [419-2060-501](#) [B45196-H5106-K309](#) [B45196-H6226-K509](#) [CWR29JC106KBEZ](#) [T83D475K050RCCL](#) [M39003/01-2596](#) [TCSCS1A476KBAR](#) [T83E107K016RCCL](#) [T83D685K035RCCL](#) [293D475X0035B2DE3](#) [TMCMB1C475KTRF](#) [293D155X9020A2DE3](#) [298W476X06R3M2T](#) [298W107X0004M2T](#) [CWR29HH155KCBB](#) [CWR29HC106KCDC](#) [293D476X9035E2TE3](#) [CWR29KC226JCGC](#) [CWR29DC337KCHC](#) [T97H107M040HSA](#) [595D686X9010B2T](#) [T25D337M016CSZ](#) [591D156X9025R8T15H](#) [594D686X9016C2T](#) [595D106X0025C8T](#) [CWR29DC226KBDA\TR](#) [CWR29FC106KBBA\TR](#) [CWR29FC157KBXA\TR](#) [CA55-B6R3M107T](#) [CA55-E025M107T](#) [TC212B475K035Y](#) [TAZH685K035LBSB0824](#) [TAZG107K010LBSB0800](#) [TAZH475K050LBSB0H23](#) [TAZH156K025CBSZ0824](#) [TBJD156K025CBSZ0824](#) [TMCSA1V154MTRF](#) [TMCSA0J225MTRF](#) [TMCSA1A155MTRF](#) [TMCSA1D684MTRF](#) [TMCSA1E474MTRF](#) [TMCSB1E155MTRF](#) [TMCSB1V684MTRF](#) [TMCSB1D225MTRF](#) [TMCSC1V155MTRF](#) [TMCSC0G336MTRF](#)